

SPEAKMAN COMPANY

VS-3211 Installation, Operation, & Maintenance Instructions VERSATILE™ COMBINATION SHOWERHEAD SYSTEM

DESCRIPTION

VERSATILE™ chrome plated plastic/brass 3-way shower diverter. VS-3011 chrome plated plastic hand held showerhead assembly. 61" vinyl hose assembly with built in vacuum breaker. ½"-14 NPSM and NPT threaded inlet and outlets. Three (3) operational diverter settings. No flow control in diverter. 2.5 GPM (9.46 L/min) flow control in hand held showerhead. Meets ASME A112.18.1/CSA B125.1 standards

SPECIFICATIONS

SUPPLY INLETS/OUTLETS: ½" - 14 NPSM & NPT Threads
FLOW RATES: 2.5 GPM / 9.46 LPM MAX; 2.0 GPM/7.6 L/MIN MIN.
SHIPPING WEIGHT: 1.0 LBS.

OPTIONS

BN – Brushed Nickel Finish
E2 – 2.0 GPM Flow Rate

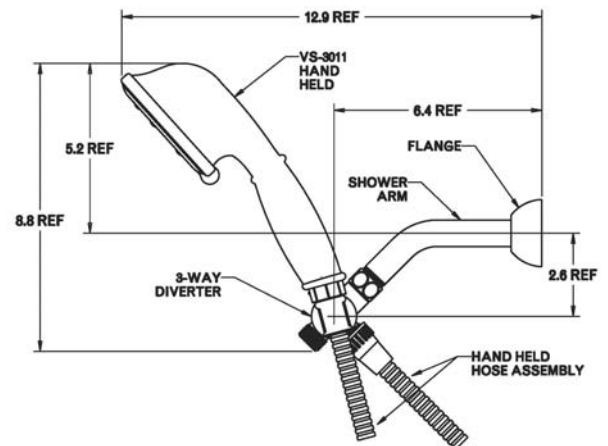
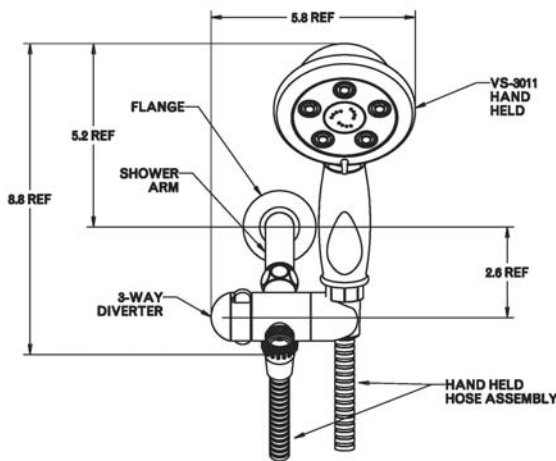
INSTALLATION

1. Remove existing showerhead from the shower arm by turning in a counterclockwise direction. Clean shower arm threads. Wrap Teflon tape clockwise onto the threads of the shower arm. 2. Screw the 3-way diverter's brass coupling nut onto the shower arm by turning it in a clockwise direction. (**Final positioning of diverter calls for hand held outlet to face away from installer**) Make sure the sealing washer is inside the brass coupling nut to prevent leaks. (**Hold diverter body in final position with hand while tightening coupling nut to prevent damaging diverter by over tightening**) 3. Screw the side of your hand held showerhead hose with built-in vacuum breaker onto the diverter's back outlet by turning it in a counterclockwise direction. Make sure sealing washer is inside hose connector to prevent leaks. 4. Connect the free end of the hose to your hand held showerhead (**VS-3011**) and place head into diverter holder. Make sure sealing washer is inside the connector at the end of the hose to prevent leaks. 5. Reattach the existing fixed showerhead onto the bottom outlet of the diverter by turning in a clockwise direction. You may need to use Teflon tape on the threads of the diverter outlet to prevent leaks. 6. Turn on water supply and check all connections for leaks. 7. To operate the diverter with water supply on, turn the handle away from you until it stops. At this setting, both the fixed and hand held showerheads are operational. Turn the handle towards you until the tabs are in the middle. At this setting, just the hand held showerhead is operational. Turn the handle towards you until it stops. At this setting, just the fixed showerhead is operational. Be careful not to overturn the handle. (**Handle turns 180° only**)

MAINTENANCE

Your Speakman showerhead is designed and engineered in accordance with the highest quality and performance standards. Periodic cleaning using a mild soap and warm water will help keep your showerhead's appearance in its original condition. For best results, dry immediately with a soft, clean cloth. **Do Not Use harsh and/or abrasive cleaners on showerheads.** To help restore your finish, occasionally apply a non-abrasive wax to your showerhead body (Follow manufacturer's instructions). In certain water conditions, mineral deposits may form on your faceplate. To reduce the mineral build-up, turn the handle to **FLOOD** position to let the water drain out after every use. A gentle scrubbing of the plunger or channels with a toothbrush should restore your spray pattern. On **CHROME** plated showerheads, a white vinegar/water treatment will assist in breaking down excessive mineral deposits on the sprays. The showerhead faceplate can be soaked in a two (2) parts white vinegar and (1) part water solution for about ½ hour to break up the mineral deposits. Rinse thoroughly. Brush off any remaining mineral deposits if necessary. **CAUTION: On all special finish parts, including any of the NICKEL or BRASS finishes, the white vinegar/water treatment should not be used.**

ROUGH-IN DIMENSIONS



Product improvements may cause specification and dimensional changes without notice.

SPEAKMAN®

PO Box 191 Wilmington, DE 19899 Phone: 800-537-2107 Fax: 800-977-2747

Visit us on the web at www.speakmancompany.com

05/11
REV 1
92-3224