

SPEAKMAN COMPANY

SC-1131-AF Installation, Maintenance & Operation Instructions

COMMANDER® SHOWER VALVE

DESCRIPTION

Speakman COMMANDER concealed PERFECT® valve shower. 1/4 turn ceramic cartridges covered by a 25 year Silver warranty. Chrome plated patented vandal-resistant four arm handles with color coded indexes. Brass bypass bodies with 1/2" pipe plugs. Integral stops. Reversible couplings for 1/2" sweat or NPTF inlet. S-2270-AF COSMOPOLITAN® showerhead with flow control device reduces flow to 2.5 GPM/9.46 LPM maximum to meet existing ANSI A112.18.1M Standard. S-2500 Shower arm and wall flange.

SPECIFICATIONS

SUPPLY: 1/2" NPT FEMALE
 FLOW RATE: SHOWERHEAD, 2.5 GPM/9.46 LPM MAX (FIXED)
 SHIPPING WEIGHT: XXX LBS.

OPTIONS

◇ BH – Brass Handles	◇ CO – Center Only with Trim
◇ 2 - S-2252-AF ANYSTREAM® Showerhead	◇ 3 - S-2253-AF ANYSTREAM® Showerhead
◇ D75 – Diamond 75 Escutcheons and Handles	◇ VR – Vandal Resistant (S-2252, S-2253 only)
◇	◇

INSTALLATION

Note: Refer to the complete installation/roughing-in literature supplied with the valve.
 Install the hot and cold supply lines for the valve. Slip the coupling nuts onto the supply lines.
MALE THREADED SUPPLIES: Apply pipe sealant to threads of supplies. Screw swivels on and tighten with pipe wrench making sure not to damage seating area.
COPPER TUBE SUPPLIES: Sweat (solder) swivels onto ends of supplies.
 Insert fitting through wall while positioning onto supply lines. Screw coupling nuts onto fitting and tighten with wrench. Anchor fitting securely to wall studs or other structural member. Install piping for shower arm to fitting. Complete finished wall. Install shower arm and flange to piping. Remove the cardboard sleeve protectors from fitting. Turn water supplies on and check all connections for leaks. Slip spindle sleeves on to spindles. Screw trim onto fitting and tighten. Position handles and screw onto spindles. Position index buttons on handles and press into place.

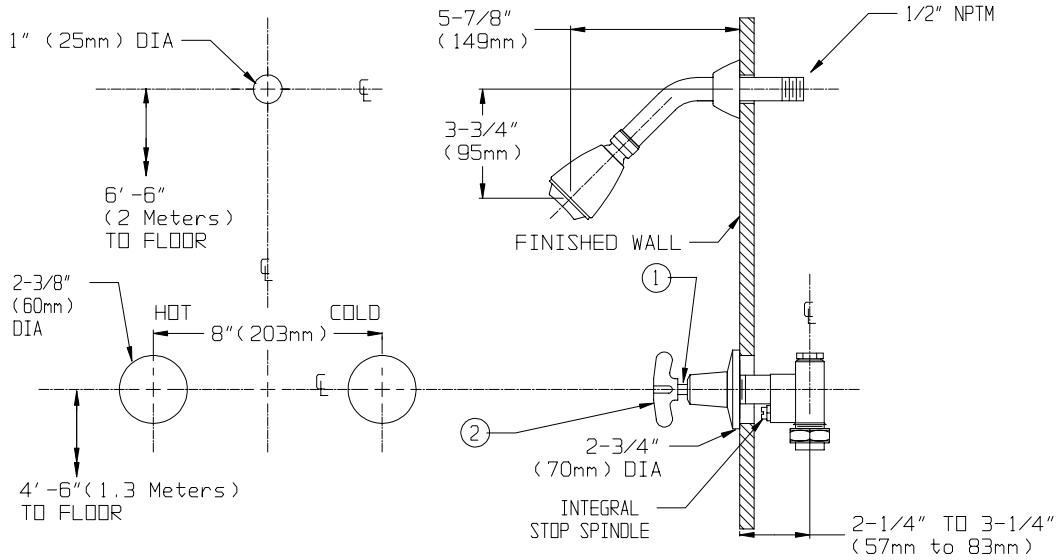
OPERATION

Simply rotate the handles 1/4 turn maximum to operate the shower valves.

MAINTENANCE CARE and CLEANING)

Valves are washerless and require no routine maintenance.
 The gleaming finish of your SPEAKMAN Commander shower can be cleaned by using mild soap and warm water. Dry immediately with a soft, clean cloth for best results.

ROUGH-IN MEASUREMENTS



NOTE:

1. ALL DIMENSIONS ARE IN INCHES (MILLIMETERS) UNLESS OTHERWISE SPECIFIED AND ARE SUBJECT TO CHANGE WITHOUT NOTICE.

2. UNLESS OTHERWISE SPECIFIED INLETS & OUTLETS ARE 1/2" NPT FEMALE AND VALVE INLETS ARE REVERSIBLE FOR EITHER 1/2" SWEAT OR 1/2" NPT PIPE.

REPAIR / REPLACEMENT PARTS

<u>ITEM NUMBER</u>	<u>PART OR GROUP NUMBER</u>	<u>DESCRIPTION</u>
1	RPG05-0605	PERFECT VALVE W/ TRIM SLEEVE AND SCREW
2	RPG04-0323-PC	FOUR ARM HANDLE W/ SCREW AND INDEX BUTTONS

SPEAKMAN®

PO Box 191 Wilmington, DE 19899 Phone: 800-537-2107 Fax: 800-977-2747
Visit us on the web at www.speakmancompany.com