

DAYTON

SPECIFICATIONS

Elite® by Dayton® Single Bowl
Model DSE12522

GENERAL

Sink bowl is seamlessly drawn of #20 gauge, nickel bearing stainless steel.

DESIGN FEATURES

Bowl Depth: 8".

Coved Corners: Interior vertical and horizontal corners are rounded to a minimum of 2-1/4" radii.

Faucet Deck: Raised.

Finish: Exposed surfaces are polished to an ultra radiant finish with highshine bowl radius.

Underside: Fully undercoated to deaden sound.

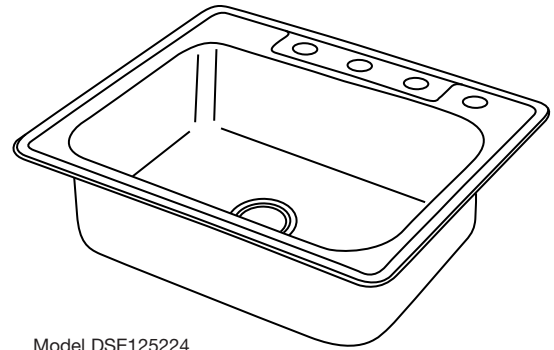
Self-rimming: Sink is furnished with the appropriate number of clamps to provide a secure, watertight installation.

OTHER

Drain Opening: 3-1/2".

Faucet Holes: Available with 0, 1, 2, 3, 4 or 5, 1-1/2" diameter holes as indicated, 4" center to center.

Note: Unless otherwise specified, sink is furnished with 4 faucet holes.



Model DSE125224

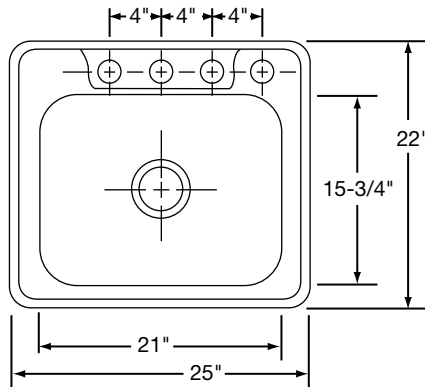


This sink is listed with the Canadian Standards Association.

SINK DIMENSIONS (INCHES)*

Model Number	Overall		Inside Bowl			Cutout in Countertop (1 1/2" Radius Corners)		No. of 1 1/2" Dia. Faucet Holes	Minimum Cabinet Size	Ship. Wt. Lbs.
	L	W	L	W	D	L	W			
DSE12522	25	22	21	15 3/4	8	24 3/8	21 3/8	0, 1, 2, 3, 4 or 5	30	14

*Length is left to right. Width is front to back.



Bowl Depth is 8"
Model DSE125224 Illustrated

ALL DIMENSIONS IN INCHES, TO CONVERT TO MILLIMETERS MULTIPLY BY 25.4.

In keeping with our policy of continuing product improvement, Elkay reserves the right to change product specifications without notice.

This specification describes an Elkay product with design, quality and functional benefits to the user. When making a comparison of other producers' offerings, be certain these features are not overlooked.

Elkay

www.elkayusa.com

2222 Camden Court
Oak Brook, IL 60523

Printed in U.S.A.
©2003 Elkay

(Rev. 7/03) 2-12D