

## Single-Lever Kitchen Faucet Models LKE4160 and LKE4161

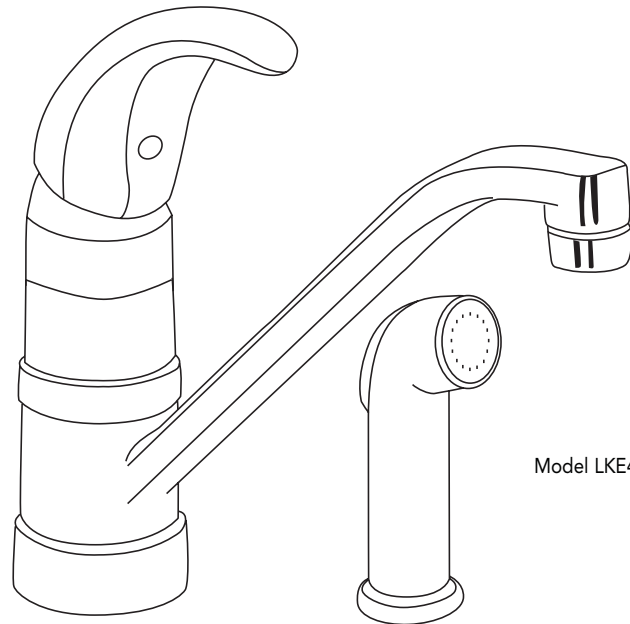
### FEATURES

#### Model LKE4160

- Single hole, single-lever top mount kitchen faucet
  - One 1-1/2" (38.8mm) diameter faucet hole required
  - Maximum countertop thickness is 1" (25mm)
- Temperature and flow controlled by one movement of the single-lever handle
- Tubular, 360° swing spout with restricted flow aerator and brass escutcheon
- Highly polished, chrome plated finish
- Removable cartridge
- 3/8" (10mm) O.D.; 10" (254mm) long; copper tube connections
- Ship Wt. 3 lbs. (1.4Kg)
- Maximum flow rate
  - 2.5 GPM/9.5 L/min at 80 P.S.I.G.
  - 2.2 GPM/8.3 L/min at 60 P.S.I.G.

#### Model LKE4161

- Same as LKE4160 except with retractable spray head and hose.
- Requires two faucet holes.
- Ship Wt. 3.5 lbs. (1.6Kg)

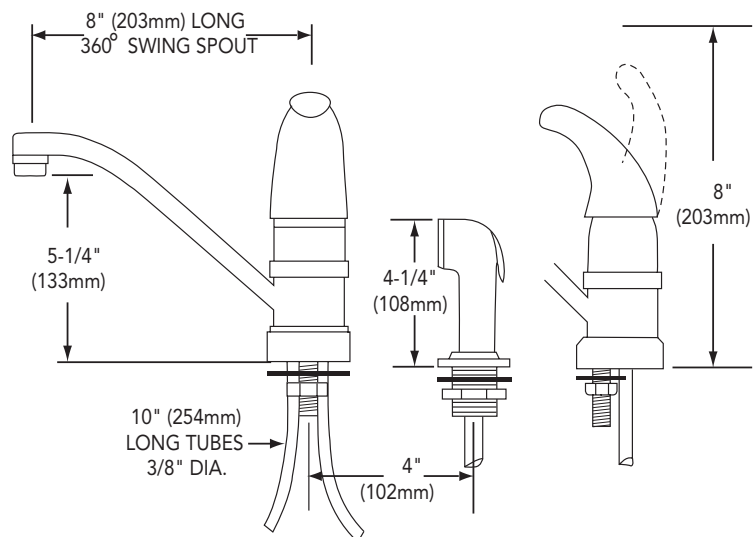


### WARRANTY

- Limited Lifetime

### COMPLIES WITH:

- ADA - LKE4160 model only
- ANSI/NSF61 - Certified
- ASME A112.18.1/CSA B125.1
- CA AB1953/VT S152

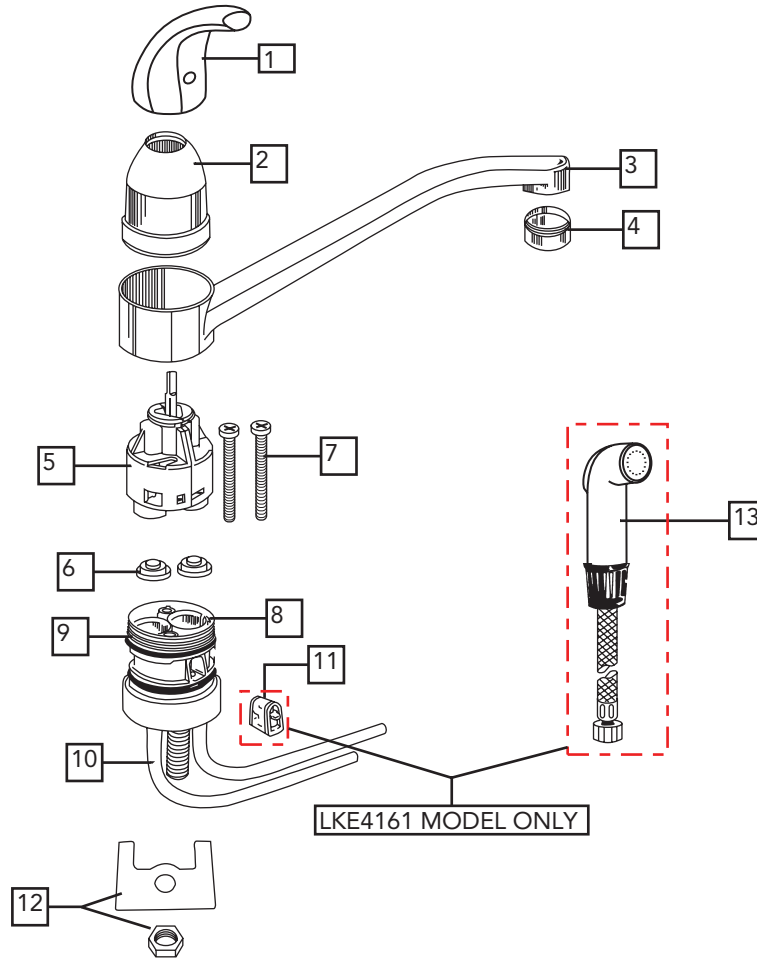


SEE OTHER SIDE FOR REPLACEMENT PARTS



# REPLACEMENT PARTS

Single-Lever Kitchen Faucet  
Models LKE4160 and LKE4161



ITEM	IND. PART	KIT PART	DESCRIPTION
1	N/A	A53080R	HANDLE ASSEMBLY
2	P47045	N/A	DOME
3	P03110	N/A	SPOUT ASSEMBLY
4	P05101	N/A	AERATOR
5	N/A	A52399R	CARTRIDGE
6	A53226R		
7	P36108	N/A	SCREW
8	SEE CHART	N/A	HOUSING
9	P37122	N/A	O-RING
10	SEE CHART	N/A	BASE
11	P48020	N/A	DIVERTER
12	P35102	N/A	MOUNTING HARDWARE
13	A55450R	N/A	SIDE SPRAY ASSEMBLY

FAUCET	HOUSING	BASE
LKE4160	P47051	P47012
LKE4161	P47071	P47011