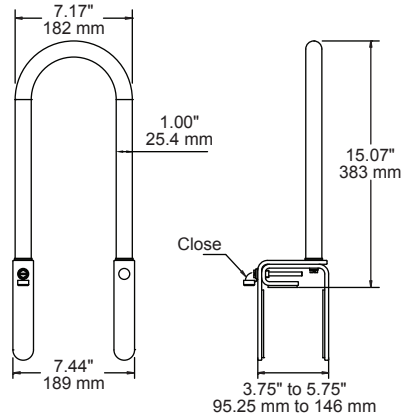


## TECHNICAL DATA

# *Tub & Shower Safety*

## 1 in. HIGH PROFILE TUB BAR



### MATERIALS:

Tubing is 1.00" diameter fluted aluminum extrusion for better gripping. Support brackets are cold rolled steel with foam padding for surface protection. All metal component surfaces are powder coated in white.

### SPECIFICATION:

High profile tub safety bar shall be model \_\_\_\_\_  
(fill in model number) by Liberty Hardware Manufacturing Corporation.