



Features:

- Cast brass valve
- Controls On/Off and Volume functions for a single shower component in a shower system
- 1/2" and 3/4" NPT available

Kit Options	Handle Type	Product Number
1/2" Wall Valve	Cross	832/122
3/4" Wall Valve	Cross	832/123

Available Finishes:	Finish Code
Polished Chrome	100
UltraSteel (PVD)	355

Rough & Trim Options	Handle Type	Product Number
Trim Only	Cross	832/372
Rough Only - 1/2" Wall Valve		865/001/191
Rough Only - 3/4" Wall Valve		865/101/191

Extension Kits	Product Number
Wall Valve Extension Kit	H960808.191

ROUGH-IN DIAGRAM SHOWN ON REVERSE SIDE

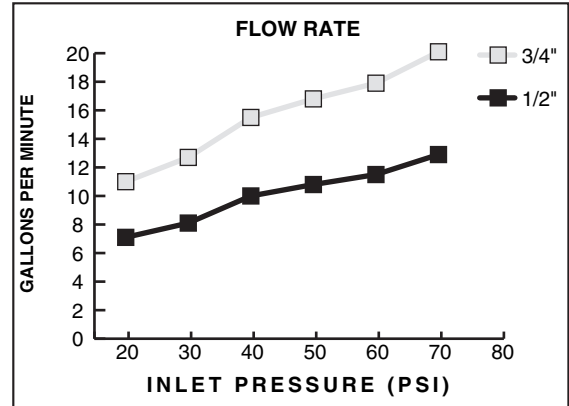
CODES & STANDARDS

These products meet and exceed the following codes and standards:

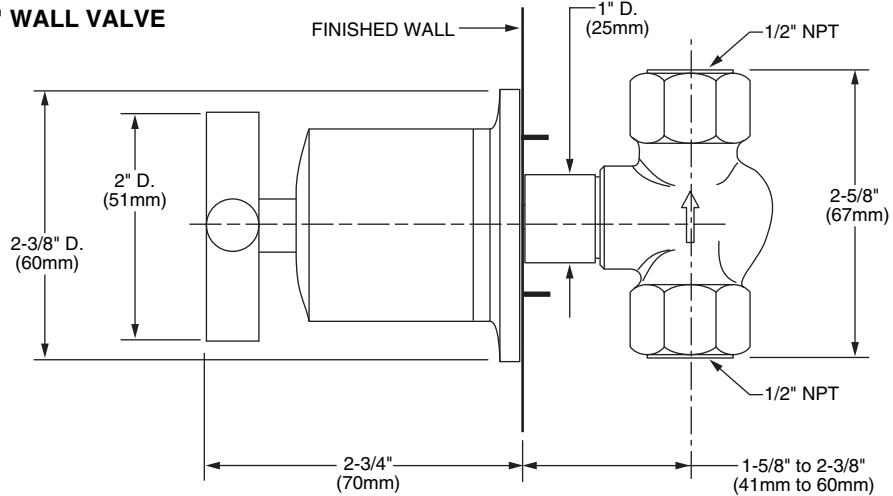
ASME A112.18.1

CSA B125

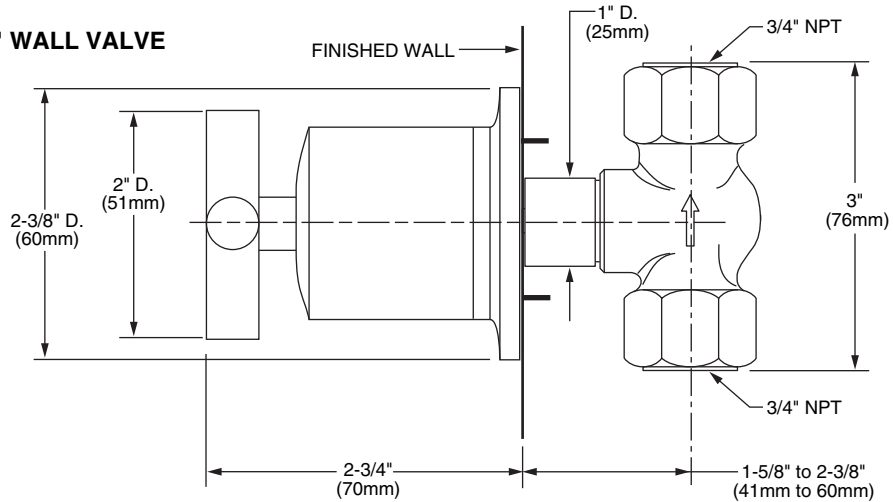
ASSE1016



1/2" WALL VALVE



3/4" WALL VALVE



IMPORTANT: These measurements are subject to change or cancellation. No responsibility is assumed for use of superseded or voided pages.