

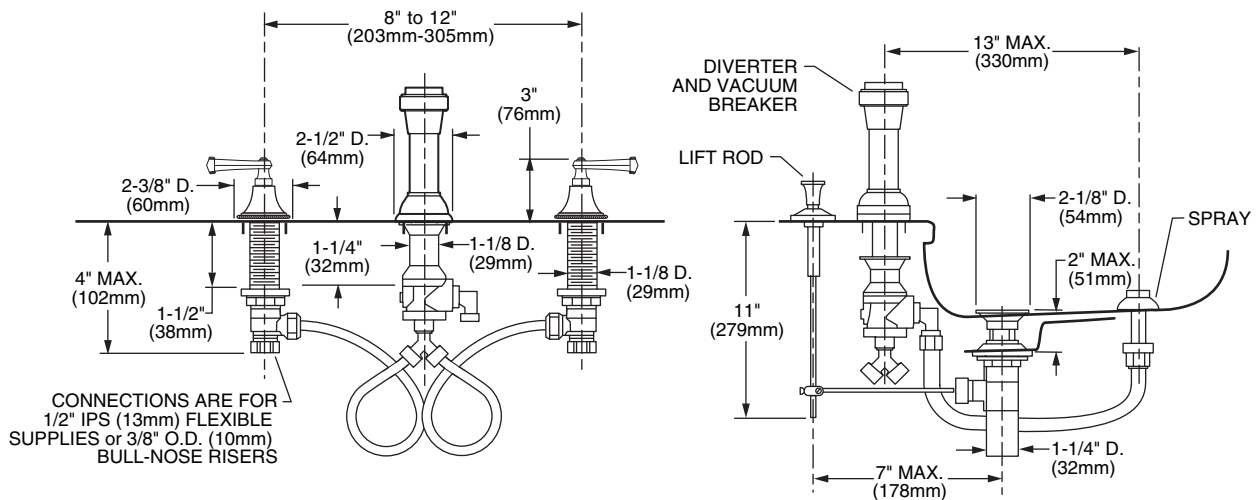


### Features:

- Ceramic disc valve cartridge
- Cast brass construction
- Integral vacuum breaker with transfer valve
- Diverter controls water flow between douche spray and flushing rim
- Douche spray has built-in spray height adjustment
- Flexible Hose Connections for 8"-12" installations
- Includes 1-1/4" drain assembly

	Handle Type	Product Number
3-Hole Bidet Set	Lever	816/348 

Available Finishes:	Finish Code
Old Bronze	105
Brushed Nickel	144
Platinum Nickel	150
Diamond (PVD)	167



**IMPORTANT:** These measurements are subject to change or cancellation. No responsibility is assumed for use of superseded or voided pages.

## **CODES & STANDARDS**

These products meet and exceed the following codes and standards:

**ASME A112.18.1**

**CSA B125**



Meets the American Disabilities Act Guidelines and **ANSI A117.1** Requirements for the physically challenged.