

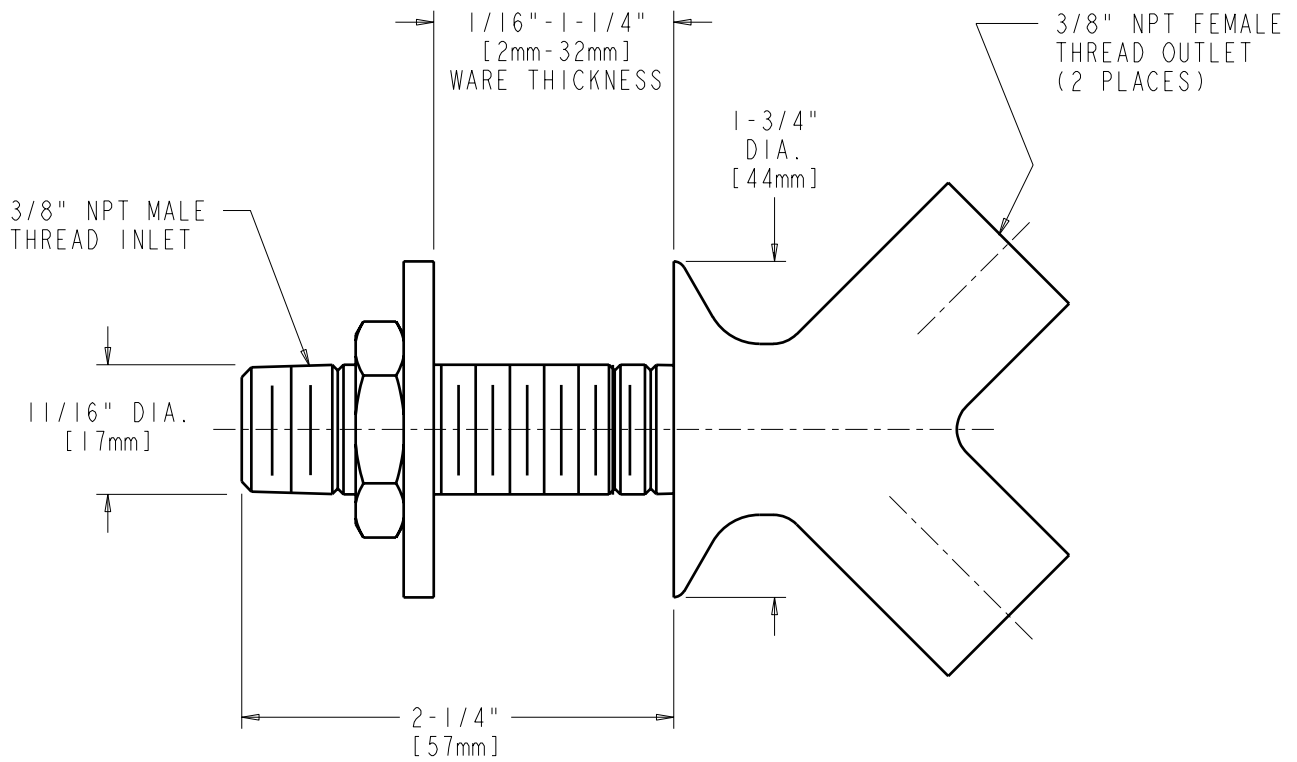
JOB NAME

ITEM NO.

SUBMITTED AS SHOWN

SUBMITTED AS NOTED

SEE ATTACHED FOR  
SUBMITTED MODIFICATION



TECHNICAL DATA

- "Y" PATTERN WALL FLANGE
- SHANK ASSEMBLY
- FINISH: CHROME PLATE

DATE: 5-20-02

BY: JAR

CHK'D:

APP'D:

REV: A

987