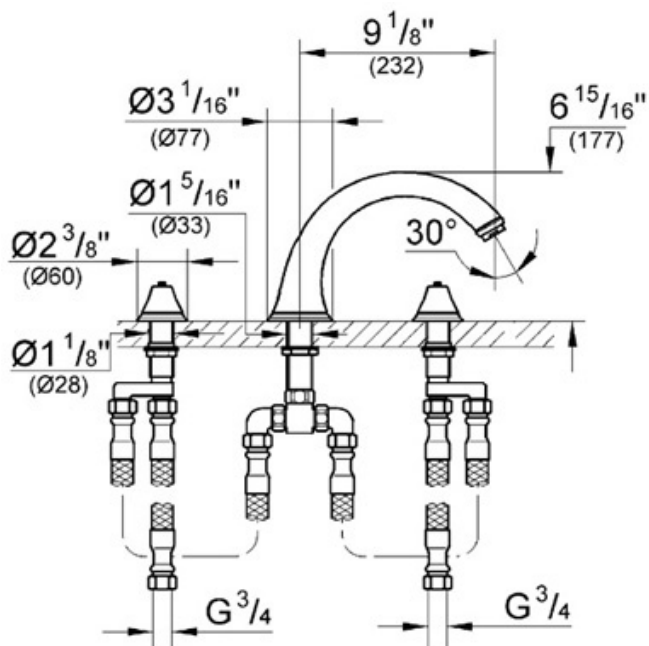


25 054 Roman tub filler



Description

9 1/8" spout
 3-hole installation
 GROHE SilkMove® ceramic cartridges
 Flexible stainless steel braided hoses connect all components and valves to supply.

Sold less handles. Shown with both Geneva cross handles (18 733) and Geneva lever handles (18 734).

Flow Rate

NA

Code Compliance

ASME/ANSI A112.18.1M
 ADA Compliant

Available Finishes

000 Starlight® Chrome
 R00 Infinity Polished Brass
 AV0 Infinity Satin Nickel
 RR0 Velour Chrome
 BE0 Polished Nickel Infinity Finish
 EN0 Infinity Brushed Nickel
 ZB0 Oil Rubbed Bronze