

**Delta Series  
DES118**

Project		Fixture Type
Location		Quantity
Approved By	Date	Catalog Number

**Features**

This simple style with elegant geometry features white case glass and a cast metal glass support with a floating square junction box cover plate. The mono-point sconce is 10 1/4" tall and ADA compliant. The glass diffuser has an open top for easy relamping. Glass is retained with 2 indistinguishable set screws. This product is ideal for corridor and accent applications.

**Construction**

Glass is mounted into a 1/8" thick die cast fitter. Wall plate is stamped steel and held in place with 2 screws located within the floating recess. Power supply connections must be made inside a junction box (not included). Fixture mounts to standard junction box with plaster ring (not included).

**Finish**

All exposed metal parts are plated satin nickel with a clear lacquer topcoat.

**Diffuser**

Diffuser is .090" thick frosted hand blown case glass.

**Electrical**

This unit is wired with a UL listed electronic normal power factor socket ballast for 120V/60 Hz AC operation.

**Lamping**

For use with 1-18 watt compact fluorescent 4 pin quad lamp; not included.

**Certification**

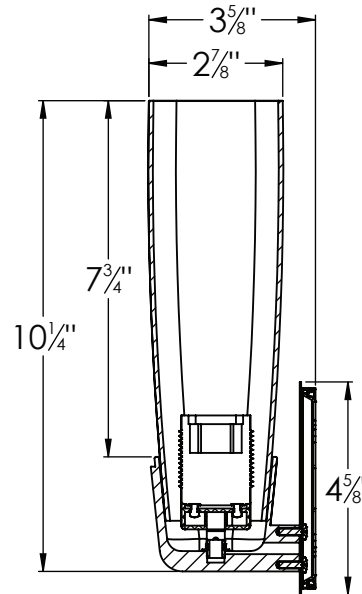
All fixtures are cULus listed for damp locations.

**Options**

1-13 watt compact fluorescent 4 pin quad lamp  
ENERGY STAR qualified when ordered with 120V ballast and lamp

For photometric information, consult factory.

**Specifications and dimensions**  
subject to change without notice.



**Ordering Information:**

Model No.	Finish	Lamps		Dimensions		
		Qty	Type	H	W	L
DES118SNEC	Satin Nickel	1	18W CFQ 4 PIN	10-1/4"	4-5/8"	3-5/8"