



**GENERAL DESCRIPTION:**

Exposed, Battery Powered, Sensor Operated Selectronic™ Urinal Flush Valve for 3/4" top spud urinals.

Inlet includes 3/4" I.P.S. angle stop with back-flow protection, vandal-resistant cap, sweat solder kit, cover tube and wall flange.

Outlet includes 3/4" vacuum breaker with adjustable tailpiece, spud coupling and flange.

**PRODUCT FEATURES:**

- Exclusive Pressure Compensation feature allows the flush valve to deliver a constant flush volume regardless of water pressure.
- Flush Valve can not be adjusted to deliver more or less water, ensuring water savings & performance.
- Electronic flush valve with Selectronic™ proximity system for "Hands Free" operation.
- Self-Cleaning Piston with integral wiper spring prevents clogging and reduces maintenance.
- Piston operation delivers superior flush accuracy and repeatability.
- Fully Mechanical Manual Override Button can operate for an unlimited time without power.
- Valve remains closed and does not need to be reset after loss of power or water pressure.
- Sanitary Flush: Valve automatically flushes after 24 hours of non-use to clean fixture & maintain trap seal.
- Stadium Feature: Valve automatically switches to water savings mode during periods of high usage.
- Sensor & electronic controls are fully enclosed and water resistant.
- Range can be adjusted manually or with optional remote control.
- Chemical resistant EPDM seals are unaffected by chloramines & other chemicals.
- Adjustable tailpiece.
- Factory-installed CR-P2 lithium battery included.
- No external volume adjustment.
- Can be installed left or right handed.

**MODEL NUMBER:**

- ❑ **6063.051.002** Flush Valve for 3/4" top spud urinals, 0.5 gpf.
- ❑ **6063.505.002** Retrofit for Existing Flush Valves, 0.5 gpf. Replaces industry standard manual and electronic valves. Does not include the vacuum breaker assembly, angle stop or sweat solder kit.

**OPERATING PRESSURE:**

Overall Range: 20-125 psi\*\*

Recommended: 20 psi (Flowing)-80 psi (static)

**FLOW REQUIREMENT:**

10 gpm (37.9 L/min.)

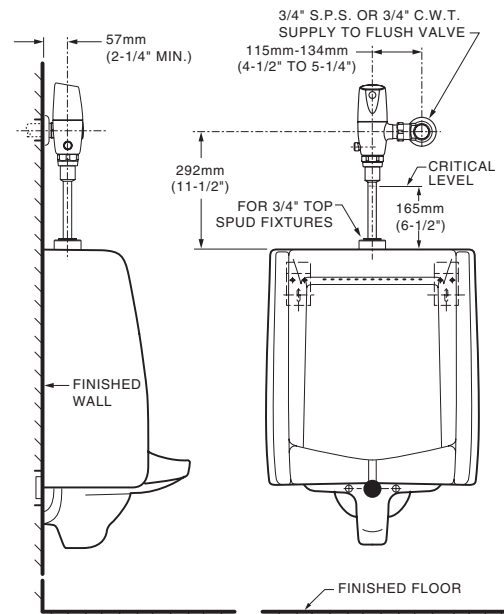
\*\* Water pressure over 80 psi is not recommended for most plumbing fixtures.

**BATTERY LIFE:**

200,000 cycles (4 years @ 4000 cycles per month)

**ACCESSORIES:**

- Cast wall flange (3/4")



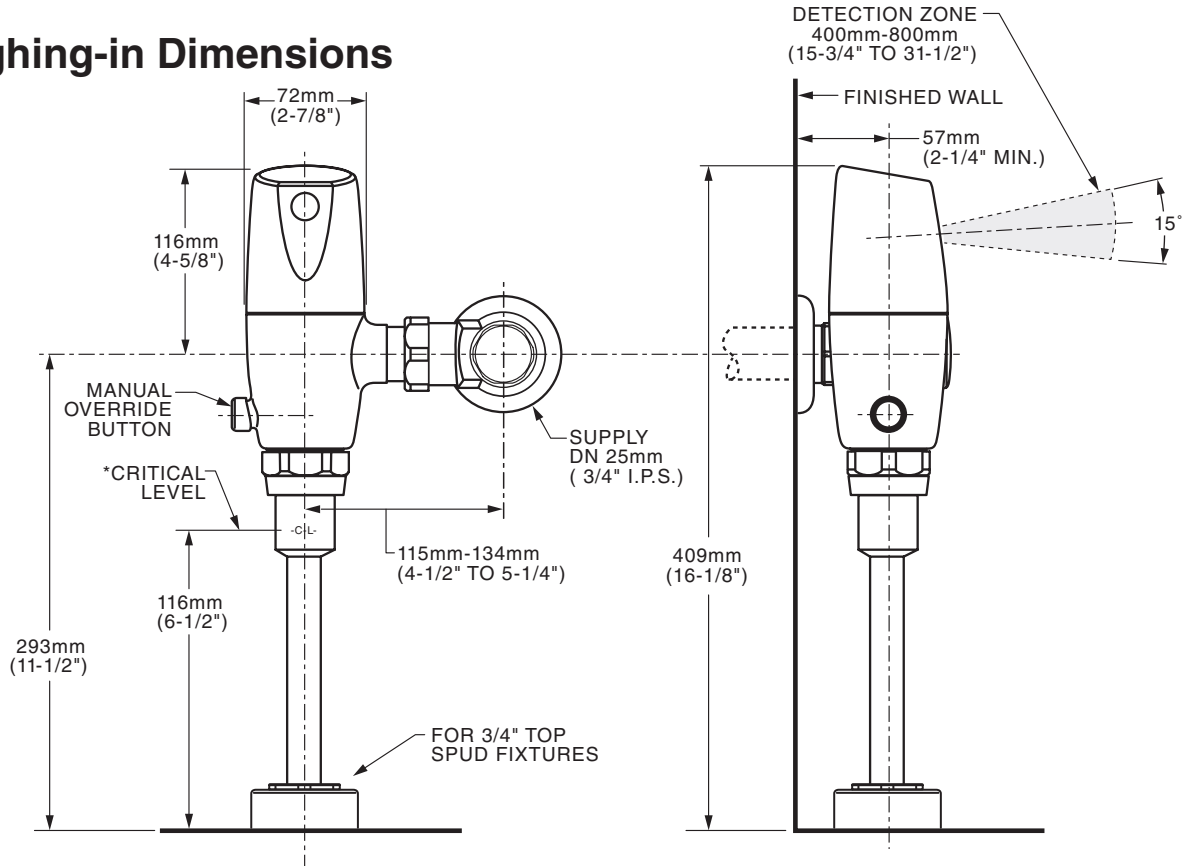
**RECOMMENDED SPECIFICATION:**

Electronic proximity infrared sensor activated urinal flush valve shall feature self-cleaning piston valve with integral wiper spring in refill orifice to prevent clogging. Includes a fully mechanical manual over-ride that can provide a complete flush without battery power. Includes cast brass valve body and metal cover with chrome finish, vandal resistant stop cap and lithium battery. Angle stop with back-flow protection and vacuum breaker included. 0.5 gpf / 1.9 Lpf Flush valve shall be American Standard Model # 6063.051.002, 6063.505.002.

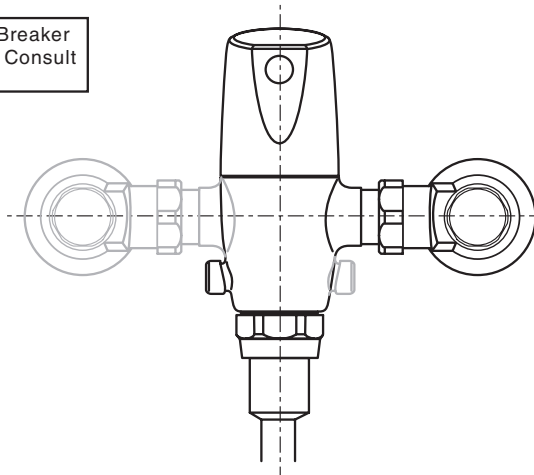
**LISTINGS:**

- ASSE 1037
- ANSI/ASME A112.19.2
- ADA Compliant

**Roughing-in Dimensions**



\*Note: The Critical Line (-C-L-) on Vacuum Breaker must typically be 6" (152mm) above fixture. Consult Codes for details.



**Right or Left Hand Installation**

 MEETS THE AMERICANS WITH DISABILITIES ACT GUIDELINES AND ANSI A117.1 REQUIREMENTS FOR ACCESSIBLE AND USABLE BUILDING FACILITIES-CHECK LOCAL CODES