

**ALLBROOK® FloWise™ 0.5
HIGH EFFICIENCY URINAL**

- Vitreous china
- High Efficiency (1.9 Lpf/0.5 gpf)
- Flushing rim
- Siphon jet flush action
- 3/4" inlet spud
- Outlet connection threaded 2" inside (NPTF)
- Wall hanger
- Fixture only
- Meets ANSI flush requirements at 0.5 GPF

6550.005 Top spud

Nominal Dimensions:

356 x 356 x 546mm
(14" x 14" x 21-1/2")

Recommended working pressure – between
20 psi at valve when flushing and 80 psi static

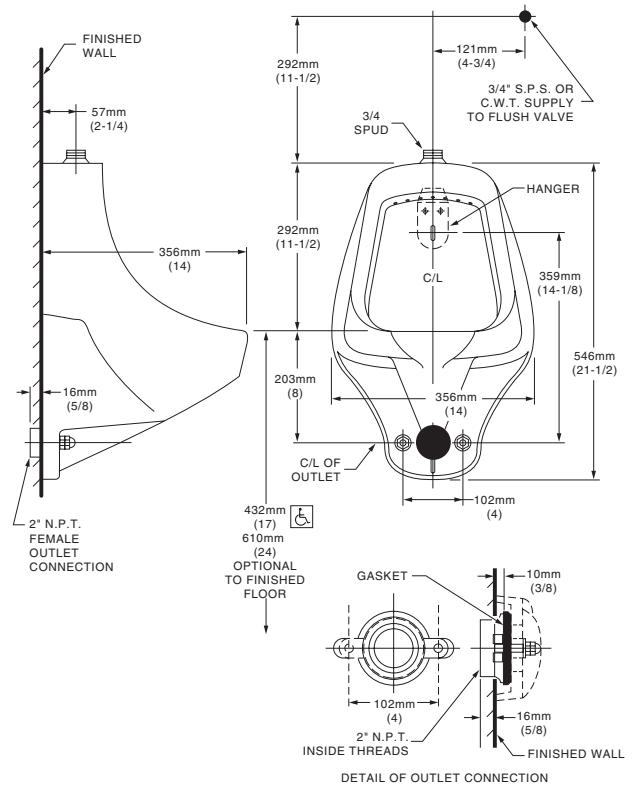
Compliance Certifications -

Meets or Exceeds the Following Specifications:

- ASME A112.19.2 for Vitreous China Fixtures

To Be Specified:

- Color: White Bone Silver Linen
 Black
- Flush Valve:
 American Standard Selectronic™ #6063.051.002
DC Power (Top Spud)



NOTES:
FLUSH VALVE NOT INCLUDED WITH FIXTURE AND MUST BE ORDERED SEPARATELY.
PROVIDE SUITABLE REINFORCEMENT FOR ALL WALL SUPPORTS.

IMPORTANT: Dimensions of fixtures are nominal and may vary within the range of tolerances established by ANSI Standard A112.19.2. These measurements are subject to change or cancellation. No responsibility is assumed for use of superseded or voided pages.

MEETS THE AMERICANS WITH DISABILITIES ACT GUIDELINES AND ANSI A117.1 ACCESSIBLE AND USEABLE BUILDINGS AND FACILITIES - CHECK LOCAL CODES.

- When installed so top of rim is 432mm (17") from finished floor.