

American Standard

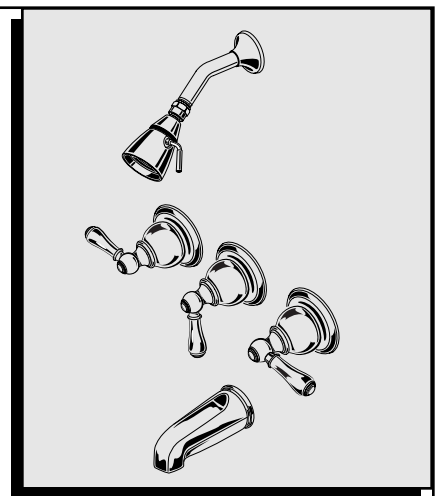
HAMPTON

THREE HANDLE BATH/SHOWER SETS

**Installation
Instructions**
7225.703
7225.713
7225.723
7225.733

Thank you for selecting American-Standard...the benchmark of fine quality for over 100 years.

To ensure that your installation proceeds smoothly—please read these instructions carefully before you begin.

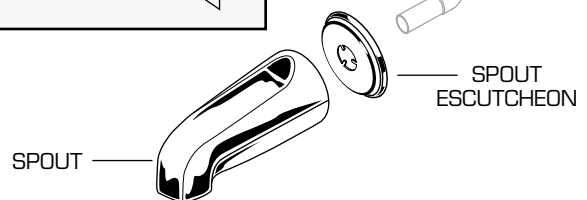
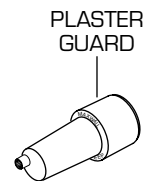
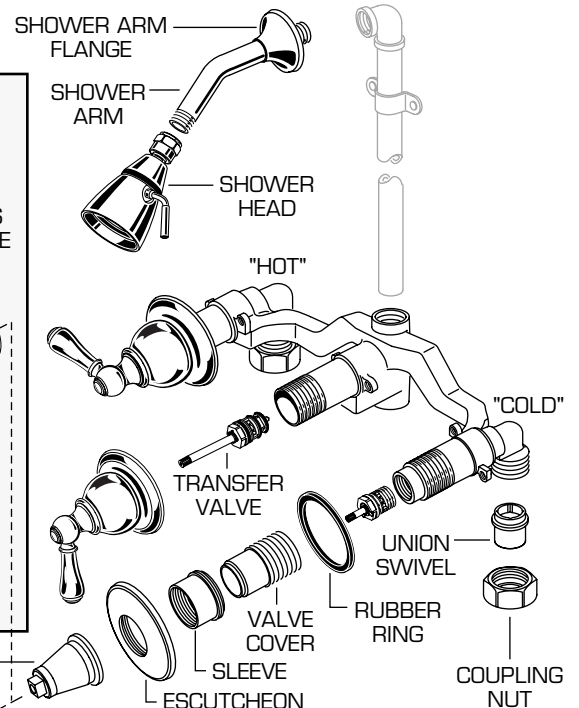
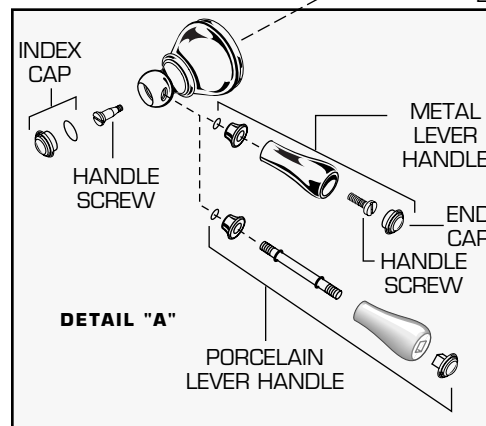
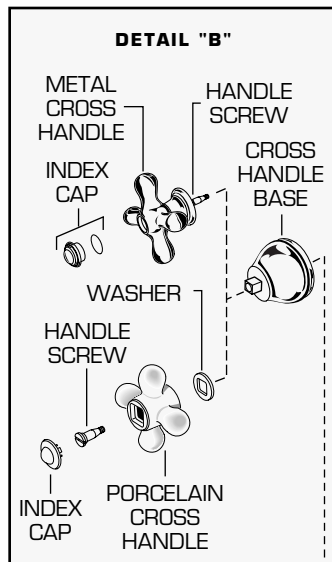
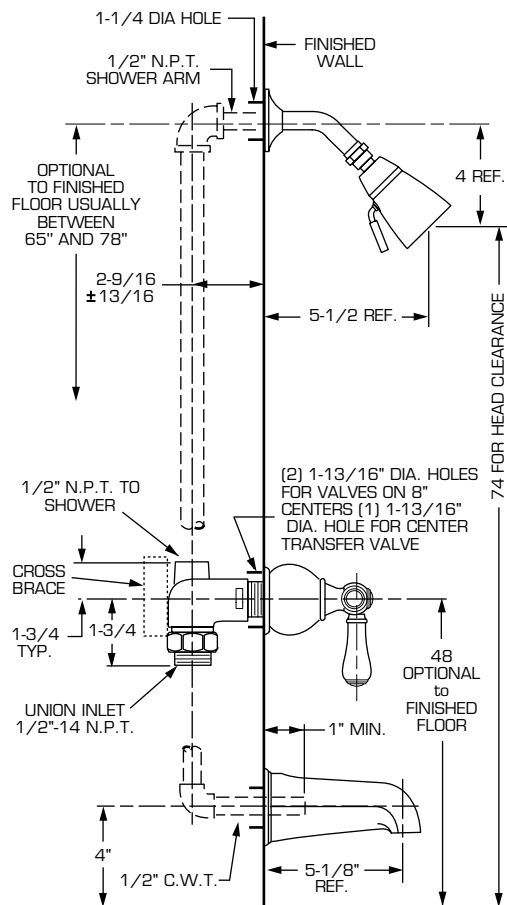


Certified to comply with ASME A112.18.1M
 U.S. Patent No. 5,819,789

US60407D

ROUGHING-IN DIMENSIONS

NOTE: NO CONCEALED PIPING FURNISHED



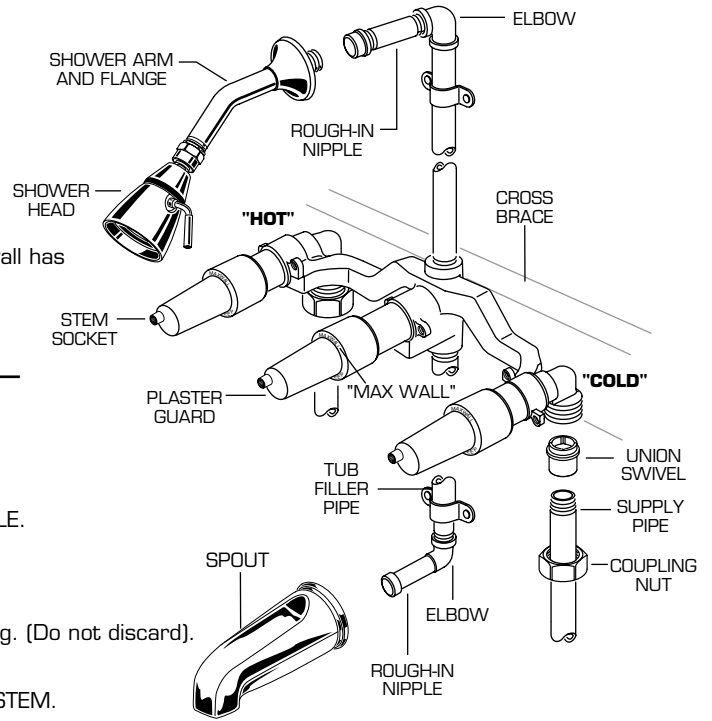
1

CAUTION

Turn off hot and cold water supplies before beginning.

ROUGHING-IN FITTING

- Prepare water supplies per "Roughing-in Dimensions."
- Slip COUPLING NUT over supply pipe and screw UNION SWIVEL to pipe.
- For Sweat Connection: Slip COUPLING NUT over 5/8" O.D. supply tube and solder tube into UNION SWIVEL or female inlet of valve.
- Install VALVE at indicated height and depth. Notice that finished wall has to be between the MAX WALL and MIN. which is 1-5/8" below.
- Connect HOT water supply to left VALVE inlet and COLD water supply to right VALVE inlet. Tighten both COUPLING NUTS firmly.
- Secure VALVE BODY to cross brace of wall structure.



2

ROUGHING-IN SHOWER AND SPOUT

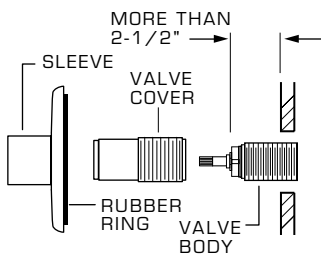
- Prepare SHOWER RISER, ELBOW, and roughing-in NIPPLE and connect to top outlet of VALVE BODY. Outlet is 1/2" female NPT.
- Prepare TUB FILLER PIPE, ELBOW and 1/2" C.W.T. SPOUT NIPPLE. Final length of SPOUT NIPPLE to be 1" from finished wall.
- Add cross braces to wall structure and secure piping.
- Cap roughing-in nipples, open supply lines and check for leaks.
- Remove PLASTER GUARDS by turning counter clockwise and pulling. (Do not discard).
- PLASTER GUARD has a STEM SOCKET to operate valves.
- Turn PLASTER GUARD over and push SETM SOCKET onto VALVE STEM. Open hot and cold valves and check for leaks.
- Close both valves, turn off water supplies, and replace PLASTER GUARDS.
- Finish wall construction.

3

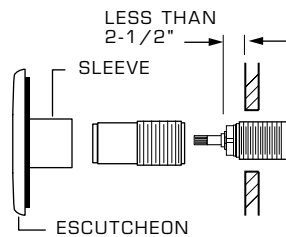
FINISHING INSTALLATION

- Remove caps from roughing-in nipples.
- Remove PLASTER GUARD by turning counter-clockwise and pulling.
- If VALVE BODY is roughed in SHALLOW (more than 2-1/2") screw SLEEVE in ESCUTCHEON facing front of ESCUTCHEON.
- If VALVE BODY is roughed in DEEP (less than 2-1/2") screw SLEEVE in ESCUTCHEON facing back of ESCUTCHEON.
- Assemble RUBBER RING to ESCUTCHEON.
- Screw ESCUTCHEON and SLEEVE onto VALVE COVER against wall.
- Install SHOWER ARM, SHOWER ARM FLANGE and TUB SPOUT.

SHALLOW ROUGH-IN



DEEP ROUGH-IN



4

INSTALL HANDLES

FOR LEVER HANDLE ILLUSTRATION, SEE DETAIL "A" ON FRONT PAGE.

FOR CROSS HANDLE ILLUSTRATION, SEE DETAIL "B" ON FRONT PAGE.

- Turn VALVE into OFF position.
- Push ADAPTER into HANDLE BASE in a way that the male square on the ADAPTER fits in the female square of the HANDLE BASE.
- Push HANDLE and ADAPTER onto VALVE STEM.
- Check alignment, if not satisfactory aligned; Push out ADAPTER carefully.
- Turn ADAPTER either 45° or 90° so that male square on ADAPTER catches different female square in HANDLE BASE.
- Assemble and tighten MOUNTING SCREW.
- Push INDEX CAP in top of HANDLE.
- Turn VALVE into OFF position.
- Push ADAPTER into HANDLE BASE.
- Push HANDLE and ADAPTER onto VALVE STEM.
- Push CROSS onto ADAPTER.
- Assemble and tighten HANDLE SCREW.
- Push INDEX CAP in top of HANDLE.

5

TEST INSTALLED FAUCET

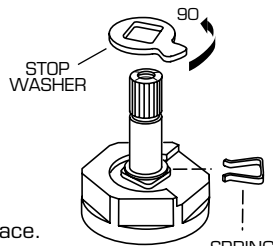
- Turn HANDLES into "off" position.
- Turn on water supplies and check all connections for leaks.

- Operate both HANDLES to flush water lines thoroughly.
- Check SHOWER HEAD and connections for leaks.
- Turn handles into OFF position.

6

SERVICE

- To change direction of handle rotation, proceed as follows:
 - Turn valve to OFF position.
 - Pull out INDEX CAP and remove HANDLE SCREW.
 - Pull off HANDLE BASE and remove ADAPTER.
 - Remove SPRING CLIP.
 - Lift STOP WASHER, turn 90 and replace.
 - Replace SPRING CLIP.
- Reinstall HANDLE. (See step 4).



- If spout drips, operate handles several times from OFF to ON position. Do not force - handles turn only 90°.



HOTLINE FOR HELP
 For toll-free information and answers to your questions, call:
 1 (800) 442-1902
 Weekdays 8:00 a.m. to 7:00 p.m. Eastern Time
 IN CANADA 1-800-387-0369 (TORONTO 1-416-536-5609)

Product names listed herein are trademarks of American Standard Inc.
 ©American Standard Inc. 1999

US60407D