

SORRENTO
SERIES

BTB5016



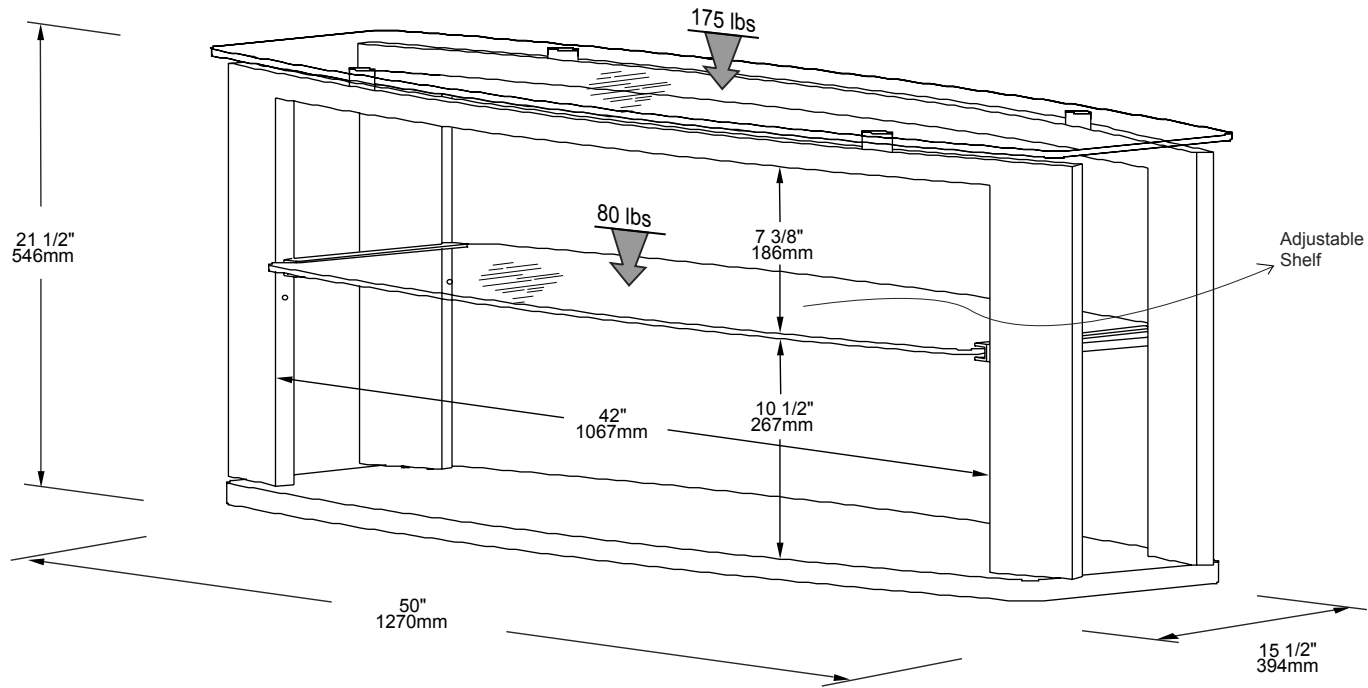
**TECH
CRAFT**

GENERAL FEATURES

- This ultra slim Stand is designed for most 50" and smaller Flat Panel TV's.
- Bent metal frame provides a "slender profile" to accentuate the look of most LCD/Plasma TV's.
- Component space cleverly designed.
- Wire Management "clips" provided.

BTB5016

	Carton dimensions	Gross Weight	Volume	UPC code
	(h) 7 3/8" / 187mm	77.3 lbs / 35 kg	4.72 cu ft / 0.13 cu m	6-23788-00464-2
	(w) 53 1/4" / 1352mm	<i>Dimension and weight / volume information on this sheet is rounded. Specifications subject to change without notice.</i>		
	(d) 20 3/4" / 527mm			



Techcraft Manufacturing Inc.

Copyright © Techcraft 2007. All rights reserved. No part of this drawing may be reproduced in any form by any photographic, electronic, mechanical or other means, or used in any information storage and retrieval system, without the written permission of Techcraft.

Hot Line : **1-888-476-8896**

Fax: (450) 622-3452

Email: sales@techcraft.net

Email: services@techcraft.net