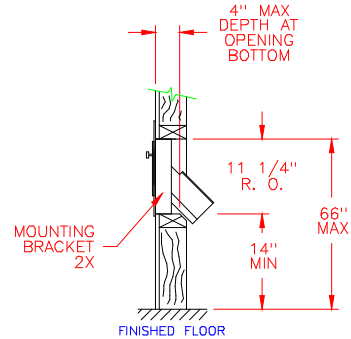
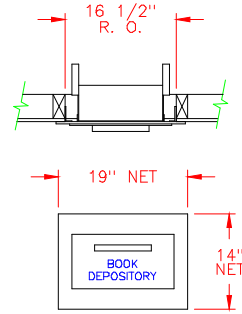


CC11RL BOOK DEPOSITORY INSTALLATION CUT SHEET



MATERIALS:

- HOPPER DOOR: 1/4" ALUMINUM
- FRONT PLATE: 1/4" ALUMINUM

FINISHES:

- CLEAR ANODIZE
- GOLD ANODIZE
- BROWN POWDER COAT

CONSTRUCTION: WELDED

ENGRAVING:

- 1 1/8" HI (AS SHOWN)
- OPTIONAL, AS SPECIFIED

HOPPER OPENING:

- 12" WIDE (MAX) x 5" HI (MAX)
- (NOTE: EFFECTIVE HOPPER OPENING HEIGHT DECREASES AS PARCEL LENGTH INCREASES)

INSTALLATION NOTES:

1. FABRICATE WALL OPENING AT DESIRED LOCATION TO ROUGH OPENING DIMENSIONS AS SHOWN.
2. INSERT BOOK DEPOSITORY INTO OPENING.
3. DRILL HOLES THROUGH MOUNTING BRACKETS INTO FRAMING WHERE NEEDED FOR INSTALLATION.
4. IF NECESSARY, INSERT ANCHORS INTO MOUNTING HOLES.
5. MOUNT BOOK DEPOSITORY USING DESIRED FASTENERS.

AUTH AF FLORENCE

5935 CORPORATE DRIVE, MANHATTAN, KANSAS 66503

www.auth-florence.com

(800) 275-1747