

# Pavia (Compact Fluorescent)

PW484\_2D60

1.0



## Wall Sconces

### GENERAL PRODUCT INFORMATION:



This product can mount to either a 4" square electrical box with round plaster ring or an octagon electrical box.

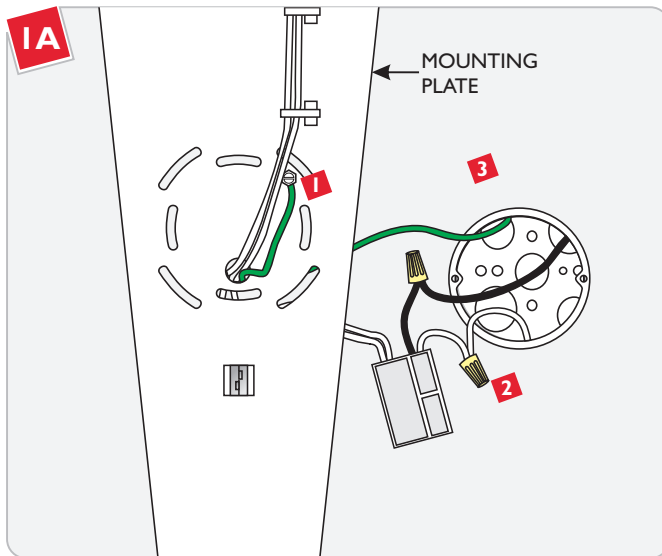
This product is suitable for damp locations.

#### CAUTION - RISK OF FIRE

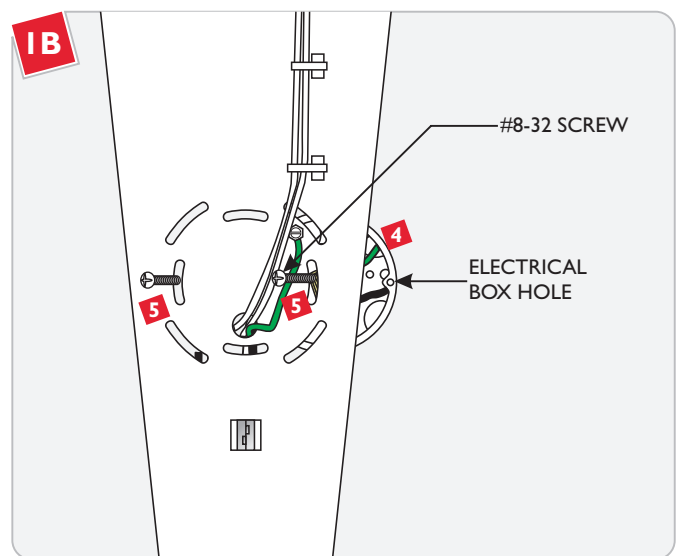
This product requires installation by a qualified electrician. Before installing be sure to read all instructions and **TURN THE POWER TO THE ELECTRICAL BOX OFF.**



## Install the Fixture

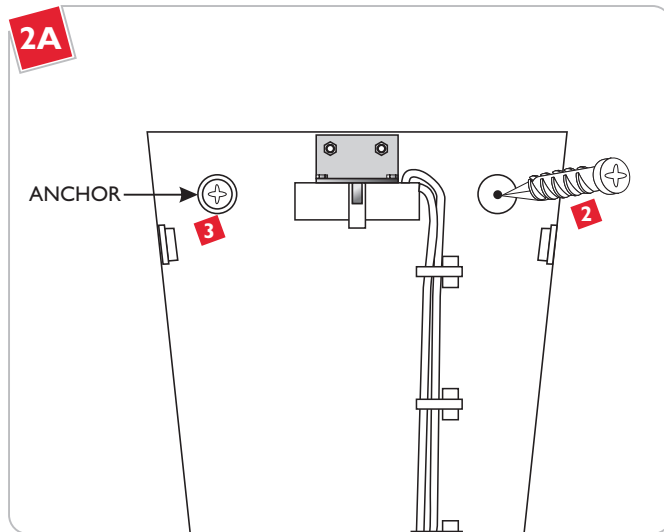


- 1** Connect the braided copper wire to a suitable ground in accordance with local electrical codes.
- 2** Connect the white ballast wire to the neutral power line wire with a wire nut.
- 3** Connect the black ballast wire to the hot power line wire with a wire nut.

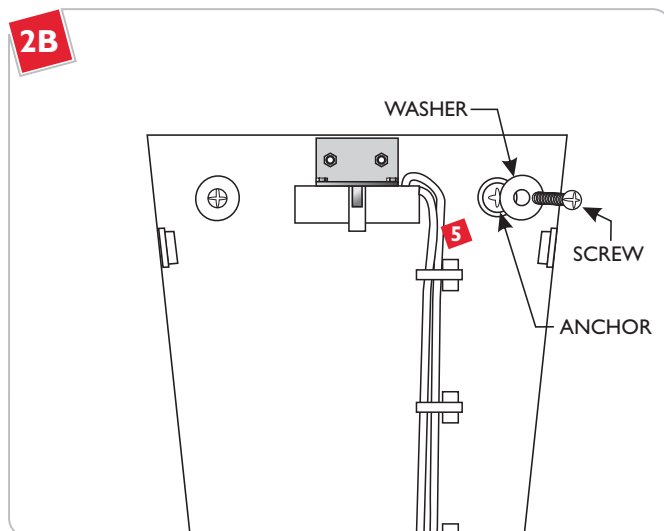


- 4** Place the ballast, all wires and wire nut connections properly inside the electrical box.
- 5** Align the mounting plate holes with electrical box holes and tighten with two #8-32 screws to secure the fixture in place.

## Anchor the Fixture

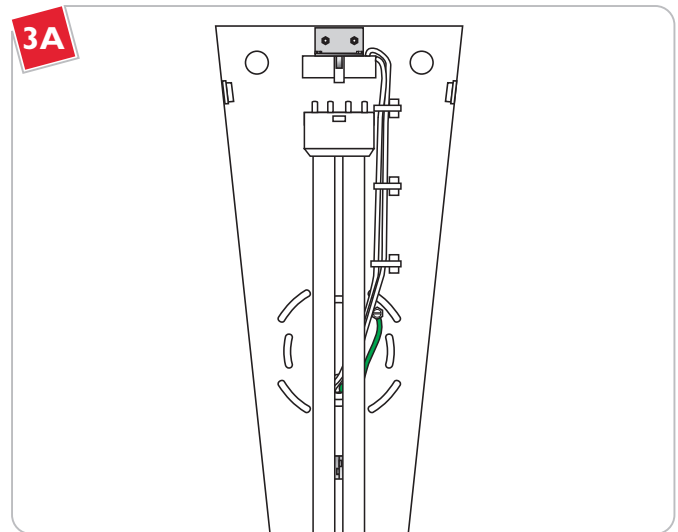


- 1** Verify that the fixture is level before continuing.
- 2** Line up an anchor tip with the center a mounting plate hole, and push the anchor into the wall up to the threads.
- 3** Screw the anchors in the rest of the way with a Phillips-head screwdriver.
- 4** Repeat steps 2-3 for all 3 anchors.



- 5** Slide a #8 screw through a washer and screw it into an anchor. Repeat for all 3 anchors to secure the fixture base to the wall.

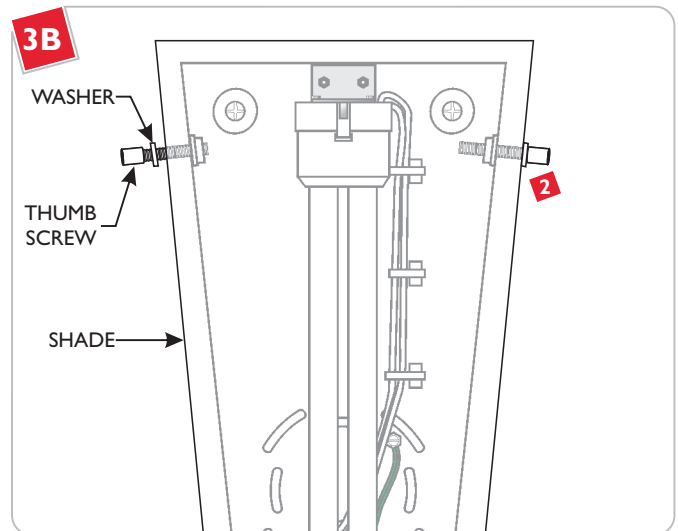
## Install the Lamp and Shade



Use **MAX 36 Watt** Twin Tube Compact Fluorescent Lamp.



- 1** Push the lamp base firmly and completely into the socket
- 2** Push the lamp tube onto the retaining clip.



**NOTE:** Do not over tighten the thumb screws. Overtightening may break the glass and result in injury.

- 2** Slide the thumb screws into the nylon washers and through the holes in the shade, and screw them into the nuts on the mounting plate.

**SAVE THESE INSTRUCTIONS!**

**LBL Lighting**

7400 Linder Ave, Skokie, IL 60077

800.323.3226 - 847.626.6300

[www.lblighting.com](http://www.lblighting.com)

© 2008 LBL Lighting. All rights reserved. The "LBL Lighting" graphic is a registered trademark of LBL Lighting. LBL Lighting reserves the right to change specifications for product improvements without notification.

A Generation Brands Company