

# Bora Compact Fluorescent

PWAPI0\_SCI8Q\_ 1.3



## GENERAL PRODUCT INFORMATION:

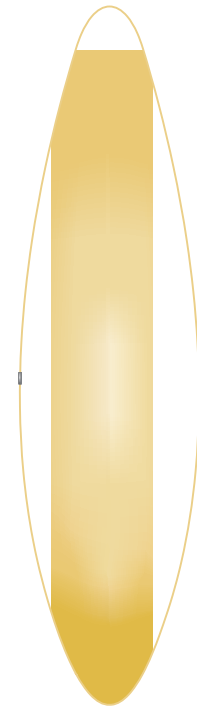


This product can mount to either a 4" square electrical box with round plaster ring or an octagon electrical box.

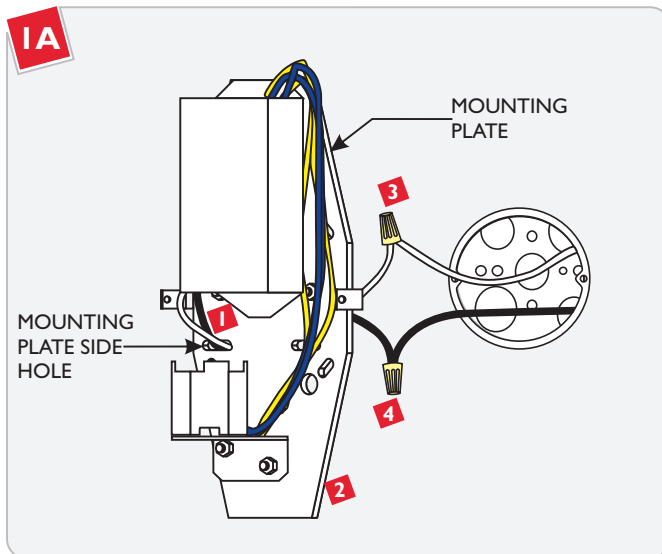
This product is suitable for indoor dry locations only.

### CAUTION - RISK OF FIRE

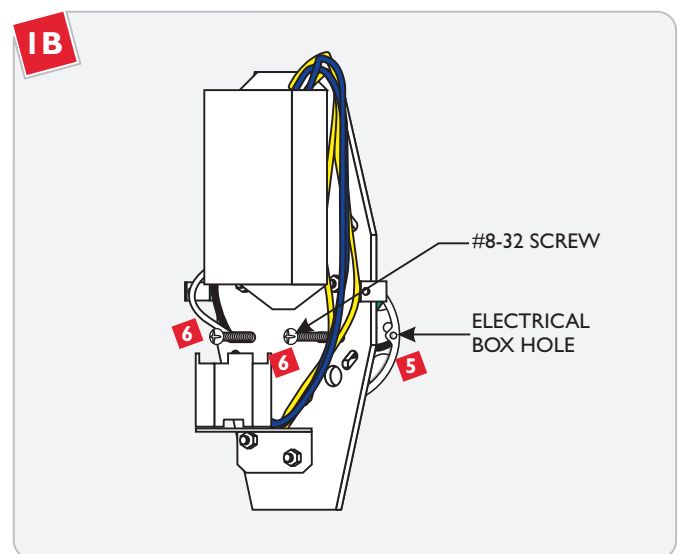
This product requires installation by a qualified electrician. Before installing be sure to read all instructions and **TURN THE POWER TO THE ELECTRICAL BOX OFF.**



## Install the Fixture

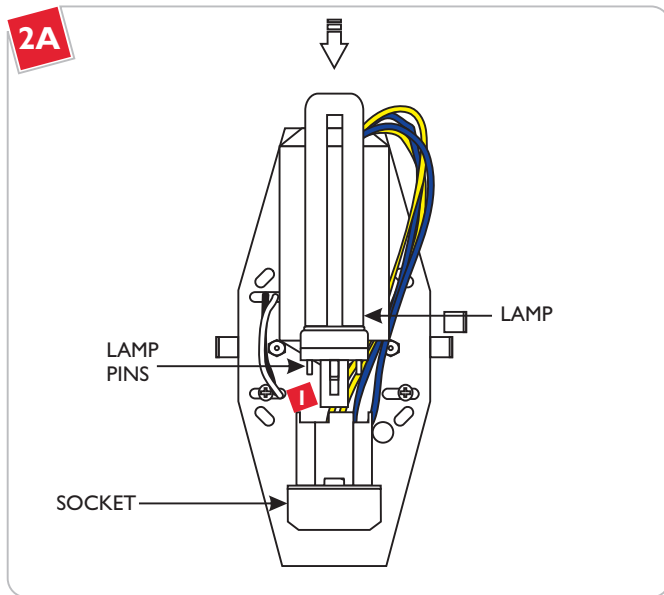


- 1** Feed the fixture wires through the mounting plate side hole.
- 2** In accordance with local electrical codes, make sure that the mounting plate is grounded.
- 3** Connect the fixture white wire to the neutral power line wire with a wire nut.
- 4** Connect the fixture black wire to the hot power line wire with a wire nut.



- 5** Place all wires and wire nut connections properly inside the electrical box.
- 6** Align the mounting plate holes with electrical box holes and tighten with two #8-32 screws to secure the fixture in place.

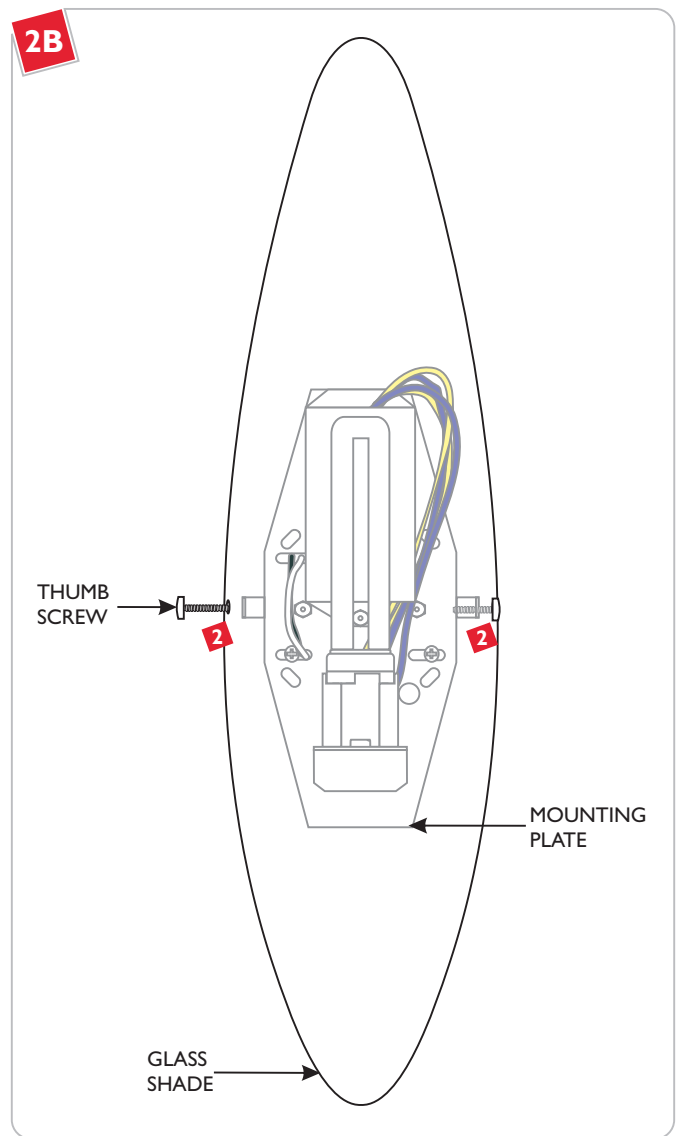
## Install the Lamp and Shade



Use **MAX 18** Watt Type Quad Tube GX24q-2 Base Compact Fluorescent Lamp.



- 1 Push the lamp pins completely into the socket holes.



- 2 Place the glass shade onto the mounting plate. Align the glass shade holes with the mounting plate holes, replace and tighten the thumb screws to secure the glass shade in place.

**NOTE:** Do not over tighten the thumb screws which may cause the glass shade to break.

**SAVE THESE INSTRUCTIONS!**

 **LBL Lighting**

7400 Linder Ave, Skokie, IL 60077

800.323.3226 - 847.626.6300

[www.lblighting.com](http://www.lblighting.com)

© 2008 LBL Lighting. All rights reserved. The "LBL Lighting" graphic is a registered trademark of LBL Lighting. LBL Lighting reserves the right to change specifications for product improvements without notification.

A Generation Brands Company