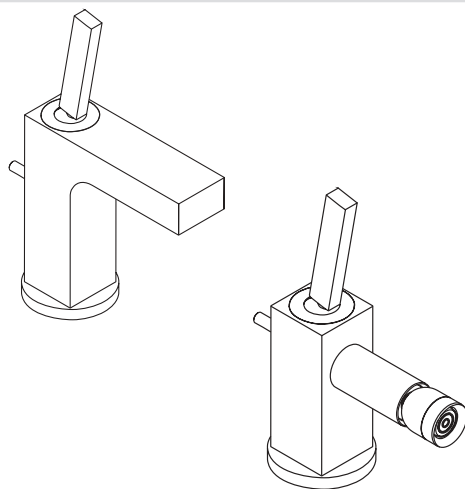


Installation Instructions / Warranty



Citterio Lavatory Mixer

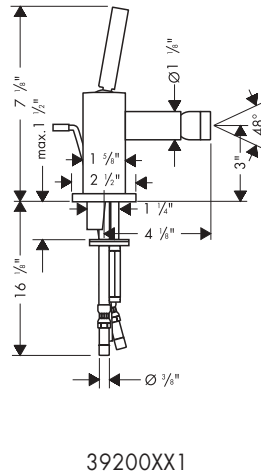
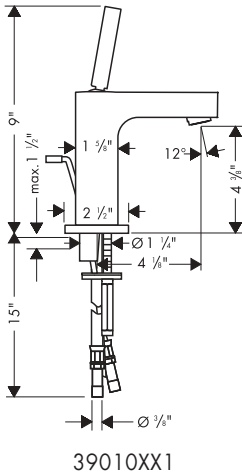
39010XX1

Citterio Bidet Mixer

39200XX1

AXOR[®]
hansgrohe

Axor Citterio Lav Mixer 39010XX1
Axor Citterio Bidet Mixer 39200XX1



Technical Data

Recommended hole size	1 3/8"
Maximum depth of mounting surface	1 1/2"
Flow rate @ 45 psi	2.2 gpm
Maximum water pressure	145 psi
Recommended water pressure:	14.5 - 75 psi
Recommended hot water temp.:	120°F - 140°F*

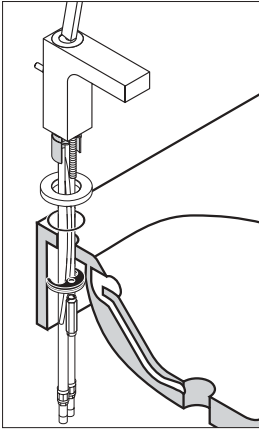
The supply hoses require supply stops with 3/8" compression fittings (not included).

*Some municipalities limit the maximum water temperature from the water heater to 120° or below. Please know and follow all applicable local codes when setting the temperature on the water heater.

Prepare to install the faucet:

Prior to installation, install supply stops with 3/8" outlets. The supply hoses will attach to the supply stops with 3/8" compression fittings. Neither the supply stops nor the compression fittings are provided by Hansgrohe.

Flush the supply lines thoroughly. Damage to the faucet caused by debris in the water line is not covered under the limited lifetime warranty.



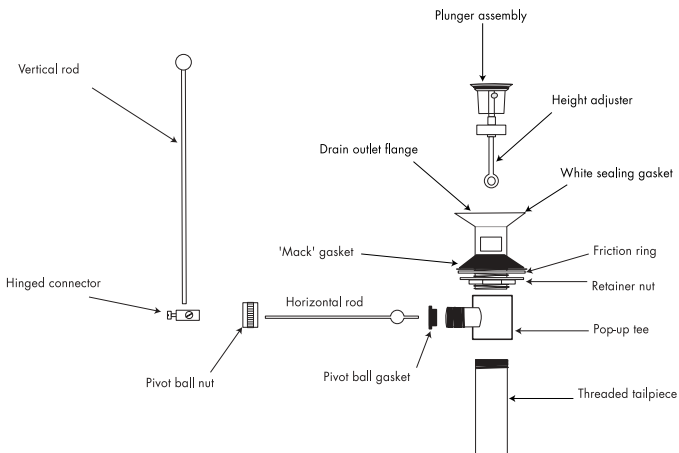
Install the faucet:

- Place the faucet, escutcheon, and sealing ring on top of the mounting surface.
- From beneath the mounting surface, place the fixation piece over the threaded shank. Thread on the fixation nut. Tighten the fixation nut.
- Connect the hoses to the supply stops
- Place a compression nut and ferrule over the shank of one of the supply hoses. Push the shank into the supply stop. Tighten the compression nut hand tight, then finish with a wrench.
- Repeat with the other supply hose, nut, and ferrule.

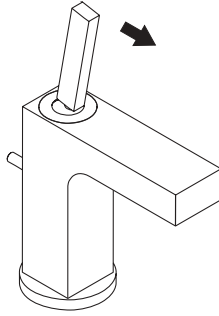
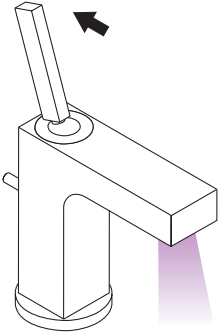
After installing the drain, turn on the water and check all connections for leaks.

Install the pop-up drain assembly:

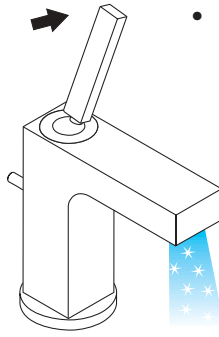
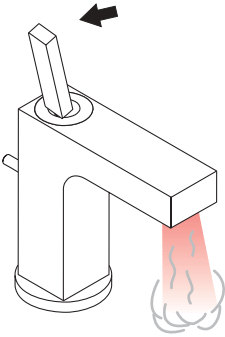
- Thread the tee and tailpiece to the flange. The pivot must face the faucet. If necessary, turn the drain assembly.
- Tighten the retainer nut.
- Sit the plunger assembly in the drain.
- Install the horizontal rod so that the end goes through the loop in the bottom of the height adjuster.
- Install and hand tighten the pivot ball nut.
- Attach the swivel connector to the end of the horizontal rod.
- Attach the swivel connector to the end of the vertical rod. Position as desired, and tighten with a small, flathead screwdriver.



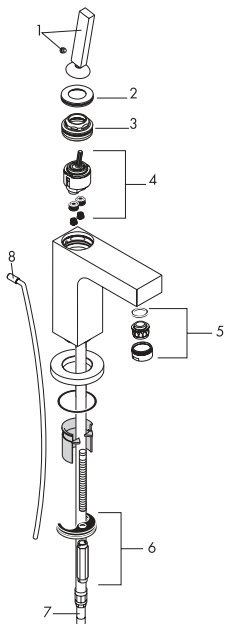
User instructions



- Push the handle to the rear to turn the water on, and pull it forward to turn the water off.



- Push the handle to the left to make the water warmer, to the right to make it cooler.



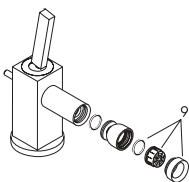
Replacement parts

1	handle	39091XXX
2	flange	96671XXX
3	nut	96394000
4	cartridge	96339000
5	aerator	13085000
6	fixation set	94701000
7	connection hose	94071000
8	pull rod	94006XXX
9	bidet aerator	94005XXX

XXX = **finish**

001 chrome

421 platinum



Cleaning Recommendation for Hansgrohe Products

Modern faucetry and shower products utilize a combination of materials to comply with the needs of the market with regard to design and functionality.

To avoid damage, it is necessary to use some caution when cleaning. Damage caused by improper treatment is not covered under the Hansgrohe warranty.

Cleaning Materials for Faucets and Showers

- To remove lime scale, use only products made specifically for that purpose. Always follow the manufacturer's instructions when using.
- Do not use cleaners that contain hydrochloric, formic, acetic, or phosphoric acids, as these will cause considerable damage to finishes and to plastic components.
- Never mix cleaning materials.
- Never use cleaners containing abrasives. Do not use abrasive cleaning cloths, pads, or sponges.

Cleaning Procedures

- Clean your faucets and shower products as and when required. Regular cleaning will prevent scale buildup and water spotting.
- Follow the label instructions. Do not allow any cleaner to remain on the product for longer than necessary.
- When using spray cleaners, spray first onto a sponge or cloth – do not spray directly onto the product.
- After cleaning, rinse thoroughly with clear water to remove any cleaner residue.

Important

- Soap and shampoo residue can also cause damage to the product. Rinse well with clean water after use.
- If the surface is already damaged, harsh cleaning materials will cause further damage.

Limited Lifetime Consumer Warranty

This product has been manufactured and tested to the highest quality standards by Hansgrohe, Inc. ("Hansgrohe"). This warranty is limited to Hansgrohe products which are purchased by a consumer in the United States after March 1, 1996, and installed in either the United States or Canada.

WHO IS COVERED BY THE WARRANTY

This warranty extends to the original consumer purchaser only.

WHAT IS COVERED BY THE WARRANTY

This warranty covers only your Hansgrohe manufactured product. Hansgrohe warrants this product against defects in material or workmanship as follows: Hansgrohe will repair at no charge for parts only or, at its option, replace any product or part of the product which proves defective because of improper workmanship and/or material, under normal installation, use, service and maintenance. If Hansgrohe is unable to provide a replacement and repair is not practical or cannot be timely made, Hansgrohe may elect to refund the purchase price in exchange for the return of the product.

LENGTH OF WARRANTY

Replacement or repaired parts of products will be covered for the term of this warranty as stated in the following two sentences. If you are a consumer who purchased the product for use primarily for personal, family, or household purposes, this warranty extends for as long as you own the product and the home in which the product is installed. If you purchased the product for use primarily for any other purpose, including, without limitation, a commercial purpose, this warranty extends only (i) for 1 year, with respect to Interaktiv and Retroaktiv products, and (ii) for 5 years, with respect to AXOR, ShowerPower and Pharo products.

THIS WARRANTY DOES NOT COVER, AND HANSGROHE WILL NOT PAY FOR:

- A. Conditions, malfunctions or damage not resulting from defects in material or workmanship.

- B. Conditions, malfunctions or damage resulting from (1) improper installation, improper maintenance, misuse, abuse, negligence, accident or alteration, or (2) the use of abrasive or caustic cleaning agents or "no rinse" cleaning products, or the use of the product in any manner contrary to the product instructions.
- C. Labor or other expenses for the disconnection or return of the product for warranty service, or for installation or reinstallation of the product.
- D. Accessories or related products not manufactured by Hansgrohe.

TO OBTAIN WARRANTY SERVICE

Contact your Hansgrohe retailer, or write to Technical Service at:

Hansgrohe Inc.
1492 Bluegrass Lakes Parkway
Alpharetta GA 30004

Or, call Hansgrohe toll-free at (800) 334-0455.

In requesting warranty service, you will need to provide

1. The sales receipt or other evidence of the date and place of purchase.
2. A description of the problem.
3. Delivery of the product or the defective part, postage prepaid and carefully packed and insured, to Hansgrohe Inc. 1492 Bluegrass Lakes Parkway, Alpharetta, Georgia 30004, Attention: Technical Service, if required by Hansgrohe.

When warranty service is completed, any repaired or replacement product or part will be returned to you postage prepaid.

EXCLUSIONS AND LIMITATIONS

REPAIR OR REPLACEMENT (OR, IN LIMITED CIRCUMSTANCES, REFUND OF THE PURCHASE PRICE) AS PROVIDED UNDER THIS WARRANTY IS THE EXCLUSIVE REMEDY OF THE PURCHASER. HANSGROHE NEITHER ASSUMES NOR AUTHORIZES ANY PERSON TO CREATE FOR IT ANY OBLIGATION OR LIABILITY IN CONNECTION WITH THIS PRODUCT.

HANSGROHE SHALL NOT BE LIABLE TO PURCHASER OR ANY PERSON FOR ANY INCIDENTAL, SPECIAL, OR CONSEQUENTIAL DAMAGES, ARISING OUT OF BREACH OF THIS WARRANTY OR ANY IMPLIED WARRANTY (INCLUDING MERCHANTABILITY).

Some States do not allow the exclusion or limitation of incidental or consequential damages, so the above limitation or exclusion may not apply to you.

This warranty gives you specific legal rights, and you may have other rights which vary from State to State.

You may be required by law to give us a reasonable opportunity to correct or cure any failure to comply before you can bring any action in court against us under the Magnuson-Moss Warranty Act.

PRODUCT INSTRUCTIONS AND QUESTIONS

Upon purchase or prior to installation, please carefully inspect your Hansgrohe product for any damage or visible defect. Prior to installing, always carefully study the enclosed instructions on the proper installation and the care and maintenance of the product. If you have questions at any time about the use, installation, or performance of your Hansgrohe product, or this warranty, please call or write to us at the toll-free number and address printed above.

Hansgrohe Inc.
1490 Bluegrass Lakes Parkway
Alpharetta GA 30004
770 360 9880
website: www.hansgrohe-USA.com