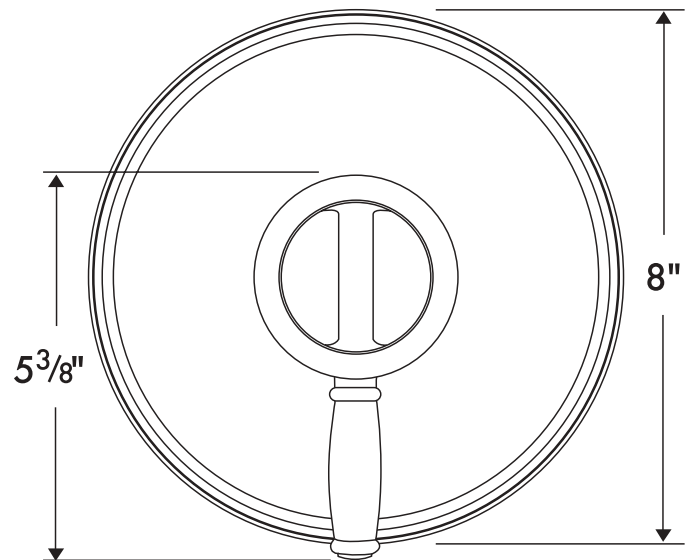


# Trim, ThermoBalance III 06067XX0

Available in Chrome (00), Oil Rub Bronze (62), Brushed Nickel (82), Polished Nickel (83),  
Polished Brass (93)



## Product Specification

- Lever handle
- Thermostatic temperature control
- Independent temperature and volume control
- Integral 3-function diverter
- 100° safety stop
- Requires ThermoBalance III rough-in 06624000 or 06628000