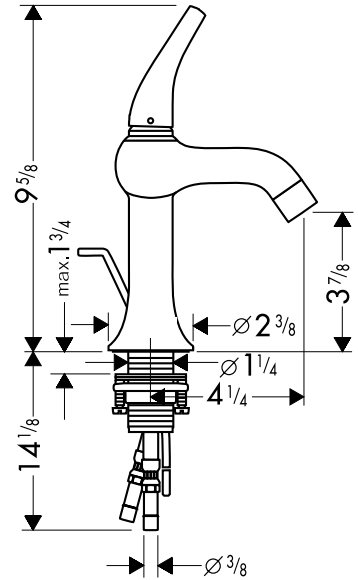
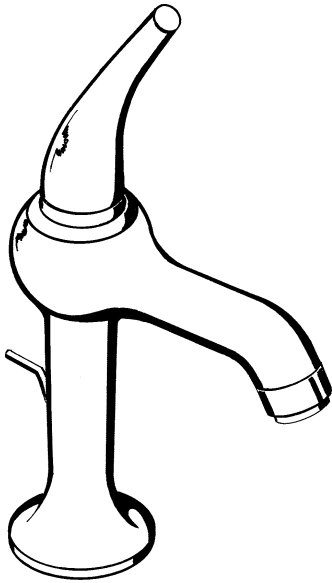


Terrano™ Single-Control Lavatory Mixer 37001XX1

Available in Chrome (00) and Satinox (81)



Product Specification

Hole size in mounting surface	Minimum 1-1/4"	Maximum 1-5/8"
Maximum mounting surface depth	1-3/4"	
Flow rate	2.2 GPM	
Maximum incoming water pressure	145 PSI	
Recommended incoming water pressure	22 - 72.5 PSI	
Recommended incoming hot water temp	120° - 140° F*	
Ceramic valve		

*Some governing bodies require that the water heater be set to 120° F or less. Please know and follow all local codes when setting the temperature on the water heater.

AXOR[®]