

**DESCRIPTION**

- Metal construction with various finishes identified by suffix
- Includes 7" rainfall showerhead, arm, flange and diverter tub spout
- For use with S932 valve

**OPERATION**

- Handle operates counterclockwise through a 270° arc with off at 6 o'clock and maximum hot at the 9 o'clock position. Shut off in clockwise direction
- Adjustable temperature limit stop to control maximum hot water temperature

**FLOW**

- Showerhead is limited to 2.5 gpm max. (9.5 L/min)

**CARTRIDGE**

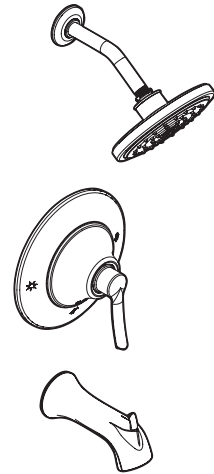
- 1222 cartridge design
- Nonmetallic/nonferrous and stainless steel materials
- Accommodates back to back installations

**STANDARDS**

- Third party certified to ASME A112.18.1/CSA B125.1 and all applicable requirements referenced therein, including ASSE 1016
- ADA ♿ for lever handle

**WARRANTY**

- Lifetime limited warranty against leaks, drips and finish defects to the original consumer purchaser
- 5 year warranty if used in commercial installations

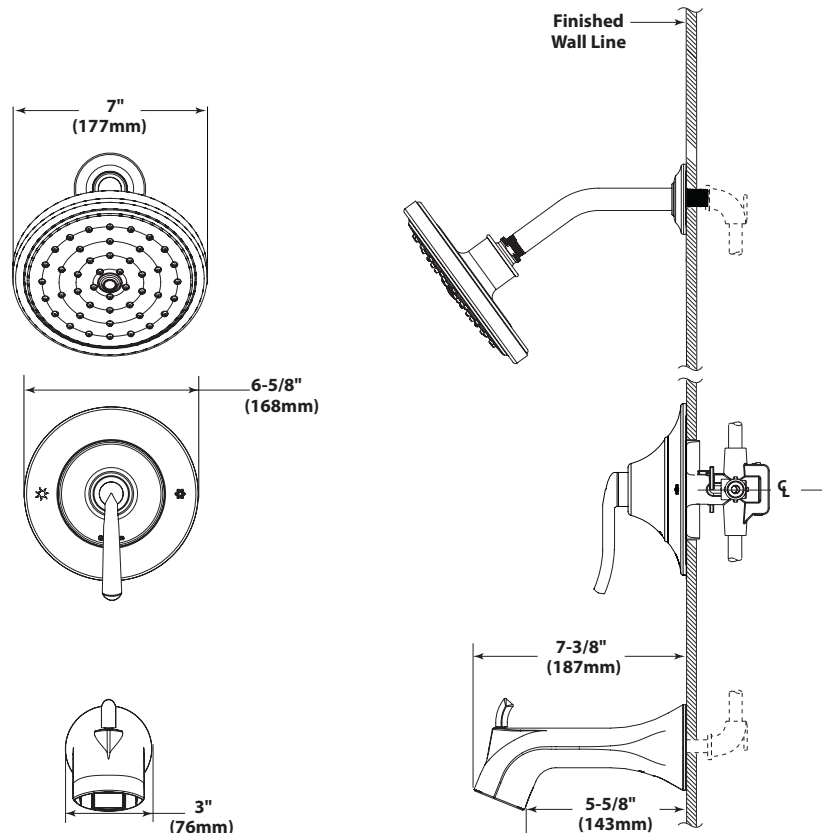


Fina™

Single-Handle Posi-Temp® Tub/Shower Trim

**Models:** TS3170 Series- Valve trim only  
TS31702 Series- Shower trim only  
TS31704 Series- Tub/Shower trim

**Valve:** S932



**CRITICAL DIMENSIONS**  
(DO NOT SCALE)