



Buy it for looks. Buy it for life.®

Specifications

DESCRIPTION

- Metal construction with a chrome plated, Platinum, LifeShine™ Polished Brass, Satine™, Classic Gold, or Nickel finish. Ceramic construction with Pebbled Cream or Seaspray finish.
- Installed on 6" (152mm) to 16" (406mm) centers
- 1/2" IPS connections will accept standard ball nose connection for 3/8" tubing
- Diverter valve includes an integral vacuum breaker
- Includes metal pop-up type waste assembly

OPERATION

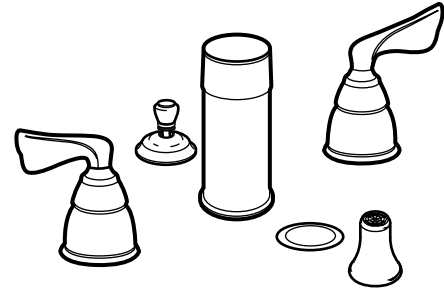
- Lever style handles, 180° rotation
- Hot side counterclockwise to open (clockwise to close)
- Cold side clockwise to open (counterclockwise to close)
- Water flow is diverted by turning the knob counter clockwise for fill and clockwise for rosetta spray

STANDARDS

- Third party certified by CSA to meet CSA B-125, ASME A112.18.1M and all requirements referenced therein

WARRANTY

- Lifetime limited warranty against leaks, drips and finish defects to the original consumer purchaser
- 5 year warranty if used in commercial installations



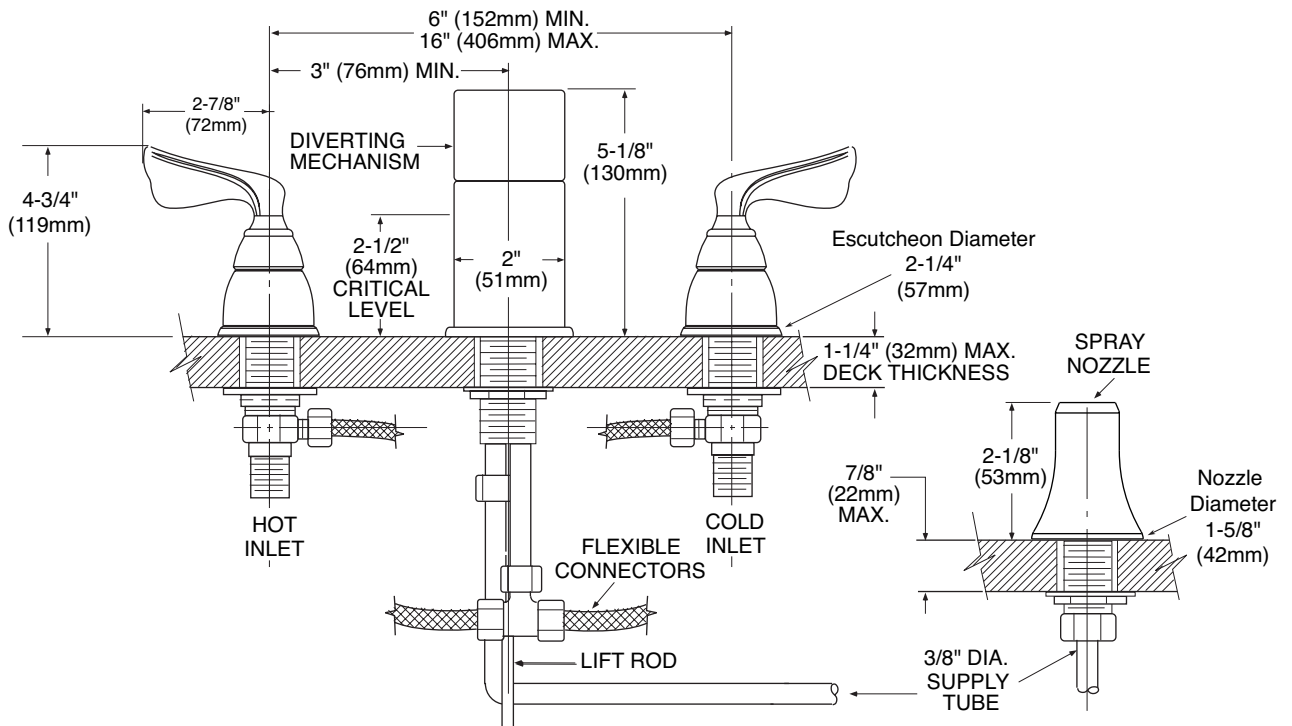
ASCERI™ COLLECTION Two Handle Bidet Trim with Metal Waste Assembly

Models: T5280, T5280CP, T5280CPM, T5280STV, T5280CGPC

Valve: 9200

Discontinued Models: T5280NLBL, T5280CGSA

NOTE: Minimum Diameter Holes for Installation
 Diverter Valve - 1" (25mm)
 Handle Valves - 1-1/8" (29mm)
 Spray Nozzle - 5/8" (16mm)
 Lift Rod Escutcheon - 1/2" (13mm)



CRITICAL DIMENSIONS

(DO NOT SCALE)