

### Features

- Acrylic
- Drop-in or three-wall alcove
- 5 individually adjustable ProFlex® hydro-massage jets
- 1.25 hp pump with air switch and grounding-type plug-in cord
- Optional K-9695 metal finish 5 jet trim kit
- Optional K-1717 timer kit
- Optional K-1234 removable apron
- 66" (167.6 cm) x 35-7/8" (91.1 cm) x 20" (50.8 cm)

### Codes/Standards Applicable

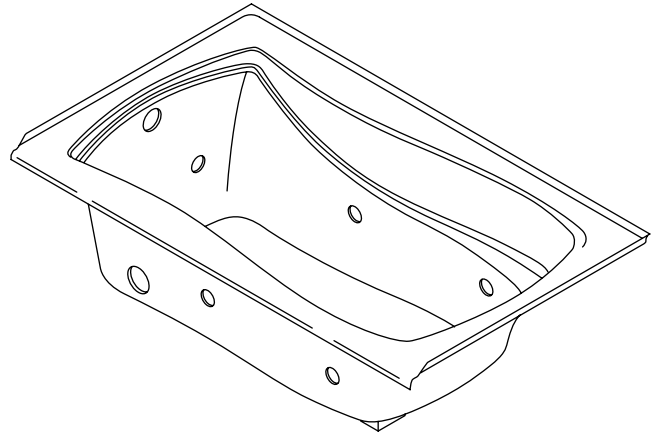
Specified model meets or exceeds the following:

- ASME A112.19.7M
- ANSI Z124.1.2
- IAPMO/UPC
- Underwriters Laboratories (UL)

### BATH WHIRLPOOL

## K-1224

ALSO K-1224-L, K-1224-R



### Colors/Finishes

- 0: White
- Other: Refer to Price Book for additional colors/finishes

### Accessories

- CP: Polished Chrome
- PB: Vibrant® Polished Brass
- NA: None applicable

### Specified Model

Model	Description	Colors/Finishes	
K-1224	Bath whirlpool – drop-in	<input type="checkbox"/> 0	<input type="checkbox"/> Other_____
K-1224-L	Bath whirlpool with integral flange and left drain – 3-wall alcove (shown)	<input type="checkbox"/> 0	<input type="checkbox"/> Other_____
K-1224-R	Bath whirlpool with integral flange and right drain – 3-wall alcove	<input type="checkbox"/> 0	<input type="checkbox"/> Other_____

#### Recommended Accessories

K-7161-AF	Adjustable pop-up drain with tailpiece	<input type="checkbox"/> CP	<input type="checkbox"/> PB	<input type="checkbox"/> Other_____
-----------	--	-----------------------------	-----------------------------	-------------------------------------

#### Optional Accessories

K-1234	Removable apron	<input type="checkbox"/> 0			<input type="checkbox"/> Other_____
K-1717	20-minute timer kit			<input type="checkbox"/> NA	
K-9695	Metal finish 5 jet trim kit		<input type="checkbox"/> CP	<input type="checkbox"/> PB	<input type="checkbox"/> Other_____

### Product Specification

The acrylic bath whirlpool shall be 60" (152.4 cm) in length, 35-7/8" (91.1 cm) in width, and 20" (50.8 cm) in height. Bath whirlpool shall be for drop-in or 3-wall alcove installation. Bath whirlpool shall feature 5 individually adjustable ProFlex® hydro-massage jets. Bath whirlpool shall feature a 1.25 hp pump with air switch and grounding-type plug-in cord. Bath whirlpool shall be available with an optional K-1234 removable apron, an optional K-9695 metal finish 5 jet trim kit, and an optional K-1717 timer kit. Bath whirlpool shall be Kohler Model K-1224-\_\_\_\_ or K-1224-\_\_\_\_-\_\_\_\_.

# MARIPOSA®

## Technical Information

Fixture*:				
Bathing well:				
Basin area, bottom	48" (121.9 cm) x 24" (61 cm)			
Basin area, top	59" (149.9 cm) x 30" (76.2 cm)			
To overflow:				
Water depth	14" (35.6 cm)			
Capacity	67 gal (253.6 L)			
Weight	110 lbs (49.9 kg)			
* Approximate measurements for comparison only.				
Drop-in cutout: 64" (162.6 cm) x 34" (86.4 cm)				
Pump:	Hp	V	Hz	A
1-speed	1.25	120	60	7.5

## Required Electrical Service

Dedicated circuit required, protected with a Class A Ground-Fault Circuit-Interrupter (GFCI).	
Pump/control	120 V, 15A, 60 Hz
Locate the outlet behind the whirlpool and within 24" (61 cm) of the pump	

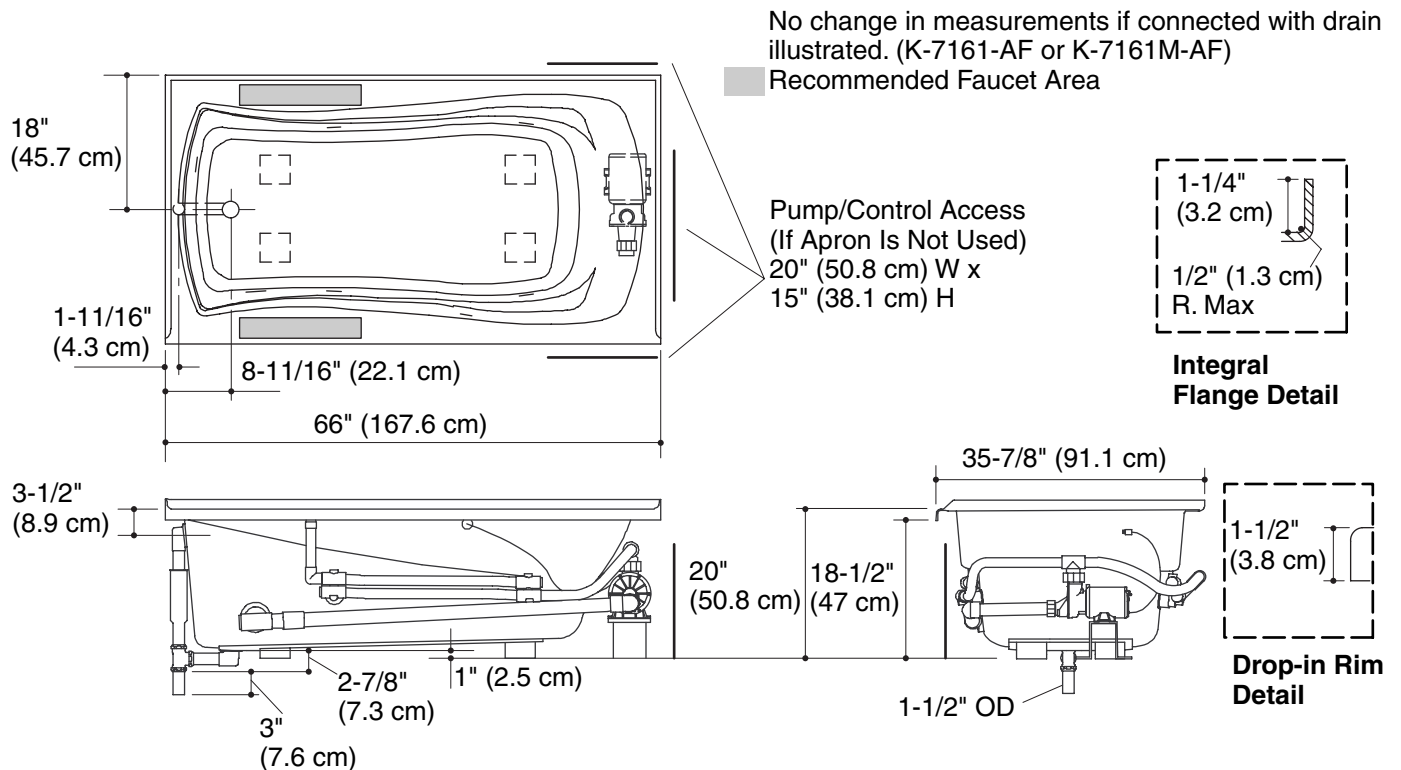
## Installation Notes

Install this product according to the installation guide.

Floor support under whirlpool must provide for a minimum of 48 lbs/square foot (232 kg/square meter).

If installing a rim-mount faucet, make sure there is no interference with the drain overflow and circulating system before drilling any holes. If installing a spout on the faucet deck, consult local and national codes for minimum air gap requirements.

The apron must be installed before the finished floor and wall materials are installed.



## Product Diagram