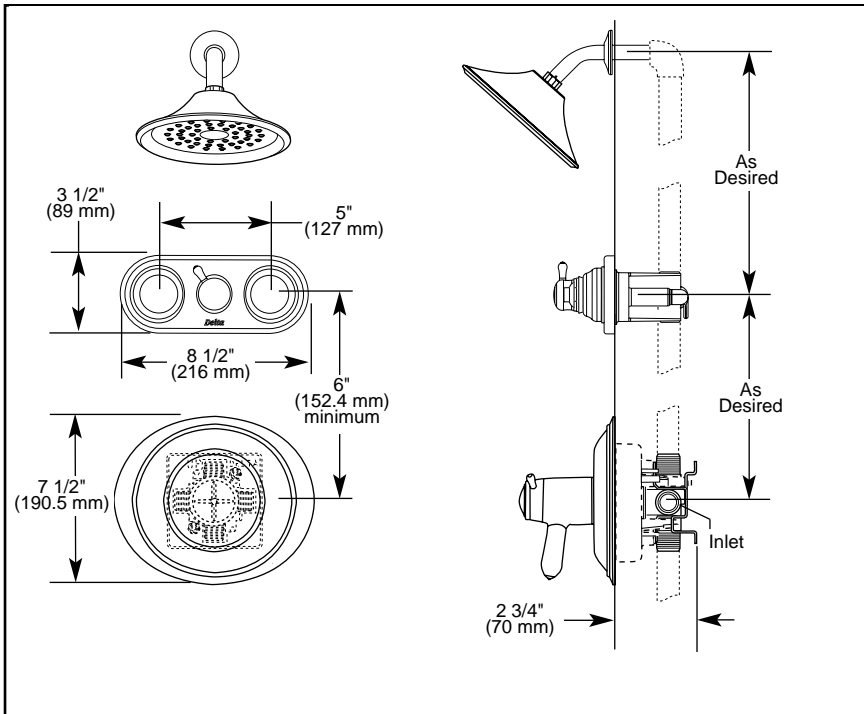
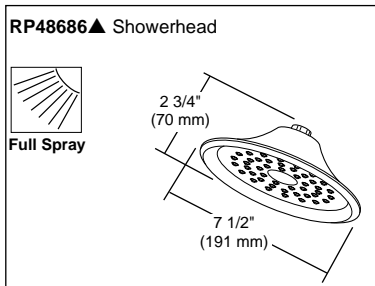


Submitted Model No.: _____

Specific Features: _____



▲ Designate proper finish suffix



JETTED SHOWER™ TRIM

- Innovations® Collection
- TempAssure® Thermostatic
- Shower Only

STANDARD SPECIFICATIONS:

- TempAssure® 17T/18T thermostatic valve cartridge.
- Thermostatic wax element maintains the outlet temperature to ±3.6°F.
- Must also order R18442 Jetted Shower XO™ or R18448 Jetted Shower™ rough valve body.
- Back to back installation capability.
- Lever volume control handle; temperature adjustment dial.
- Graphics indicate hot/cold temperature adjustment.
- Field adjustable to limit rotation into hot water zone.
- All parts are replaceable from the front of the valve.
- Adjusts for up to 1" wall thickness.

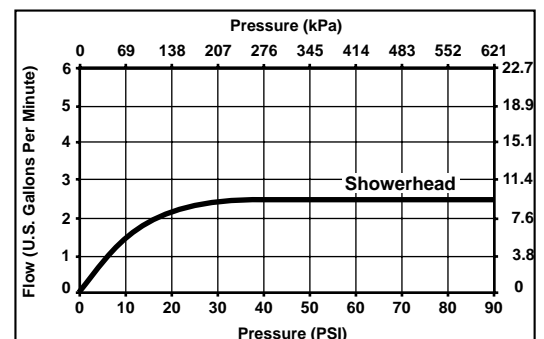
WARRANTY

- Lifetime Faucet and Finish Limited Warranty to the original consumer purchaser to be free from defects in material and workmanship.
- 5 Year Limited Warranty for usage in all industrial, commercial and business applications.



COMPLETE VALVE COMPLIES WITH:

- ASME A112.18.1 / CSA B125.1
- ASSE 1016
- Indicates ADA compliance to ICC/ANSI A117.1
- CSA Certified
- IAPMO Listed



Delta reserves the right (1) to make changes in specifications and materials, and (2) to change or discontinue models, both without notice or obligation. Dimensions are for reference only. See current full-line price book or www.specselect.com for finish options and product availability.



55 E. 111th Street, Indianapolis, Indiana 46280
 395 matheson Blvd. E., Mississauga, ON L4Z 2H2
 © 2008 Masco Corporation of Indiana