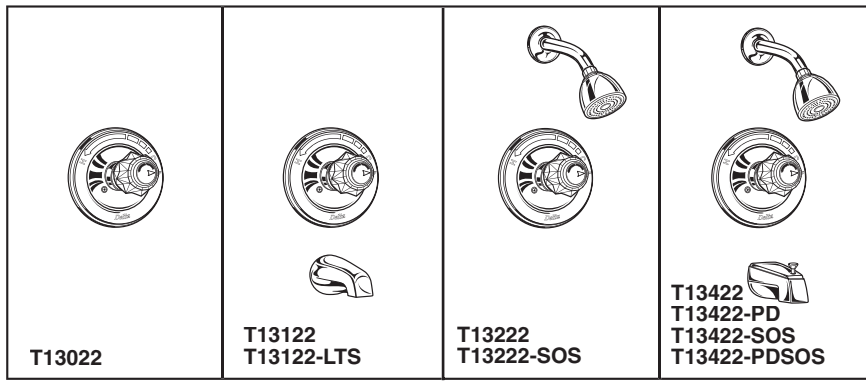


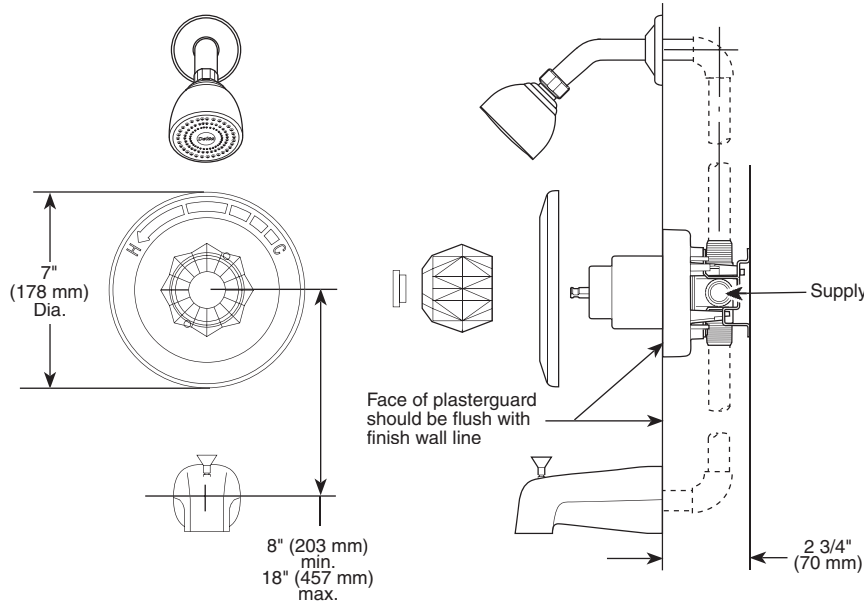


TUB AND SHOWER FAUCET TRIM



Submitted Model No.: _____

Specific Features: _____



- Valve Only (T13022 Series)
- Tub Only (T13122 Series)
- Shower Only (T13222 Series)
- Tub/Shower (T13422 Series)

STANDARD SPECIFICATIONS:

- Monitor® 13 Series pressure balanced bath mixing valve with Scald-Guard®.
- Maintains a balanced pressure of hot and cold water even when a valve is turned on or off elsewhere in the system.
- For use with MultiChoice™ Universal rough valve body. (R10000 Series)
- Back-to-back installation capability.
- Solid brass fabricated body.
- Temperature only controlled with handle. Clear knob handle with red/blue indicators.
- Field adjustable to limit handle rotation into hot water zone.
- 120° maximum handle rotation.
- All parts replaceable from the front of the valve.
- Models with "LTS" Suffix supplied with 7" long non-diverter slip on spout (RP36498).
- Models with "SOS" suffix supplied with slip-on spout for 1/2" C.W.T.
- Models with "PD" suffix supplied with 6" long pull-down diverter spout (RP17453).

WARRANTY

- Lifetime Faucet and Finish Limited Warranty to the original consumer purchaser to be free from defects in material and workmanship.
- 5 Year Limited Warranty for usage in all industrial, commercial and business applications.

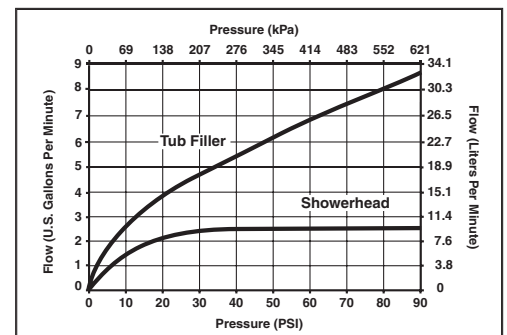
COMPLIES WITH:

- ASME A112.18.1 / CSA B125.1
- ASSE 1016



<p>RP5836 (Slip-On) RP17453 (Non-Metallic) RP17454 (Metallic)</p>
<p>RP5834 RP7533 RP19820 (Slip-On)</p>
<p>RP5833 RP5835</p>
<p>RP36498 (Slip-On Metallic)</p>

<p>RP38357 Touch-Clean® Showerhead</p> <p>Full Spray</p>
<p>RP28601 Dual Spray Touch-Clean® Showerhead</p> <p>Full Spray</p> <p>Massage Spray</p>
<p>H71</p>



Indianapolis, Indiana 46280
A Division of Masco Corporation of Indiana
© 2006 Masco Corporation of Indiana

Delta reserves the right (1) to make changes in specifications and materials, and (2) to change or discontinue models, both without notice or obligation. Dimensions are for reference only. See current full-line price book for finish options and product availability.