



✉ 33 West Beaver Creek Road Richmond Hill  
Ontario Canada L4B 1L8

☎ 800.660.5391

📠 800.660.5390


✉ info@eurofase.com

🌐 www.eurofase.com



## BEAUCHAMP , 6-LIGHT CHANDELIER

### Product Specifications

Model No.: 19335  
 Height: 28.75"  
 Chain / Cord Length: 72"  
 Diameter: 23.25"  
 Est. Shipping Weight: 0.022 lbs  
 No. of Bulbs: 6  
 Bulb Wattage: 60 watts  
 Bulb Type: B10   
 Bulb Base: E12  
 Bulb Voltage: 120 volts

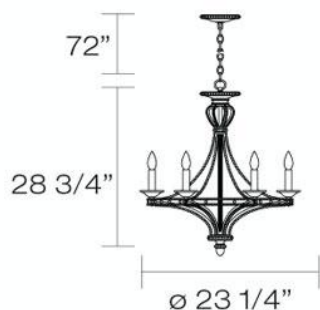
### Options Available

ITEM CODE	FINISH	SHADE
19335-018	nickel	clear glass

### Colour / Shades Available

FINISH	SHADE
nickel	 clear glass

Regally impressive, this luxurious showpiece stops short at nothing in its intricate detailing and stunningly handcrafted artisanship. Crystal beads are draped elegantly towards the arms and encircle the silver chandelier double-frame base. Faux candles are firmly set in glossed chrome bases that reflect their resplendent lighting. The collective effect of the miniature detailing and the crowned curves makes this family truly magnificent.



### Project Information

Job Name: \_\_\_\_\_ Date: \_\_\_\_\_ Type: \_\_\_\_\_  
 Comments: \_\_\_\_\_