

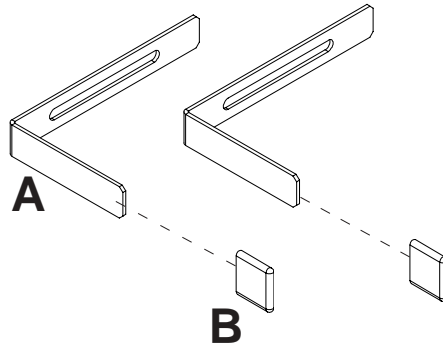
Installation and Assembly - OVERSIZED ROLL-OUT PROTECTOR

Models: ACC 016, ACC016S

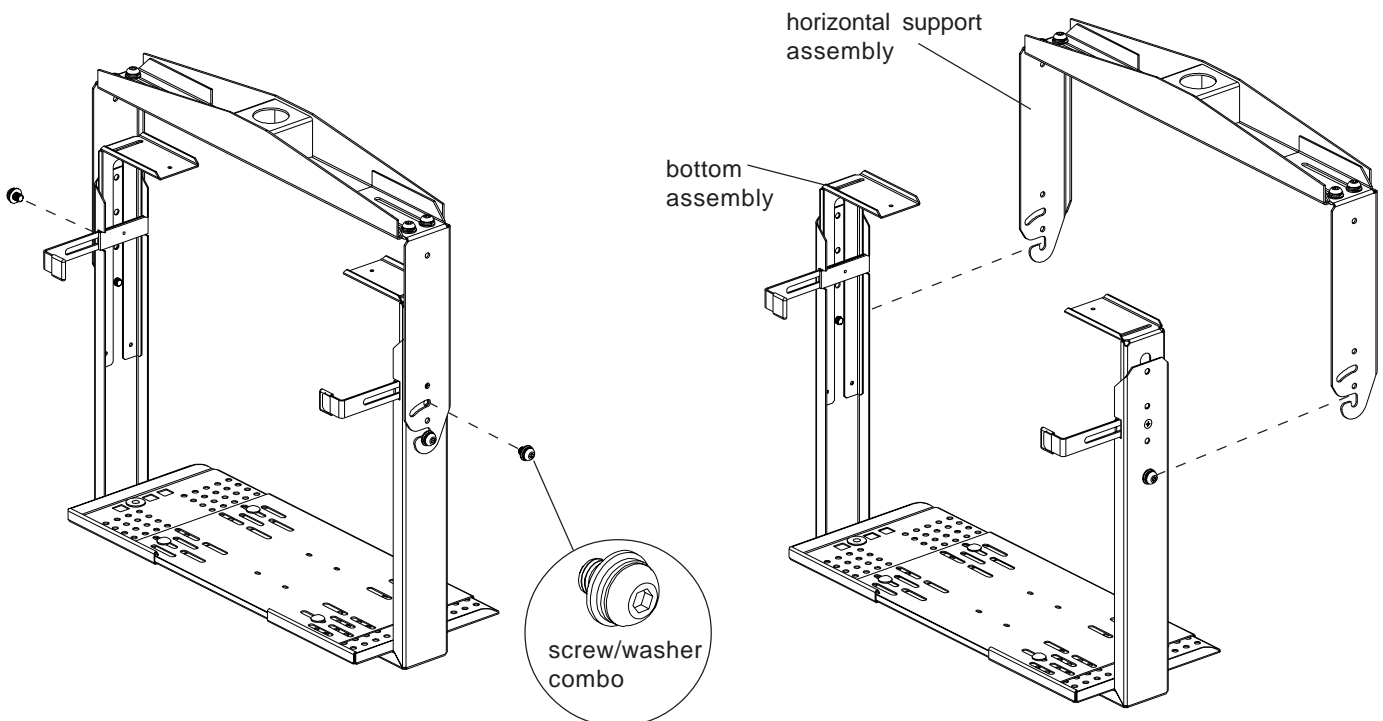
IMPORTANT! Read entire instruction sheet before you start installation and assembly.

PARTS LIST	Black	Silver	Qty.	Description
	Part #	Part #		
A	128-1241	128-4241	2	Oversized roll-out protector
B	590-1055	590-7055	2	1 x 1 3/8 vinyl cap

1 Insert vinyl caps (B) onto roll-out protector (A).

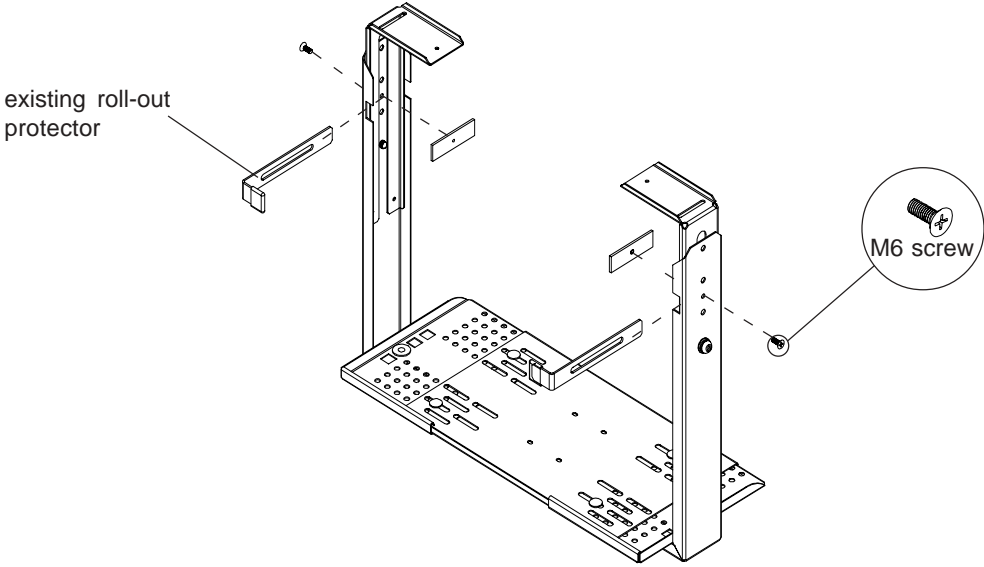


2 Remove top screw/washer combo from both sides and loosen bottom screw/washer combo from both sides as shown below. Then remove horizontal support assembly by unhooking it from bottom assembly. **Note: Make sure that TV is removed before any screws.**



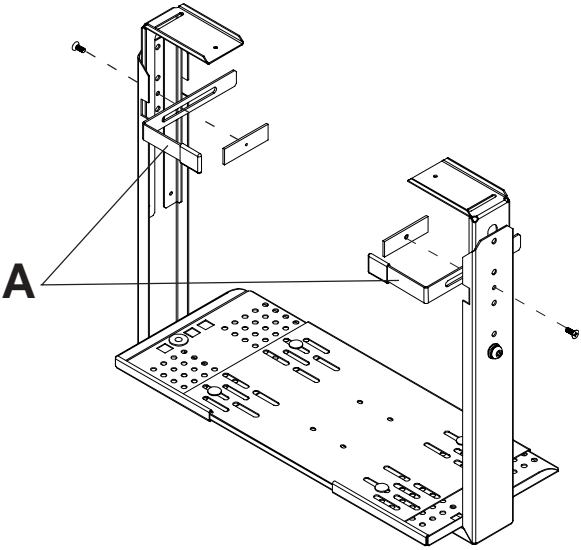
3

Then remove existing roll-out protectors as shown by removing M6 screws and retainer bars.

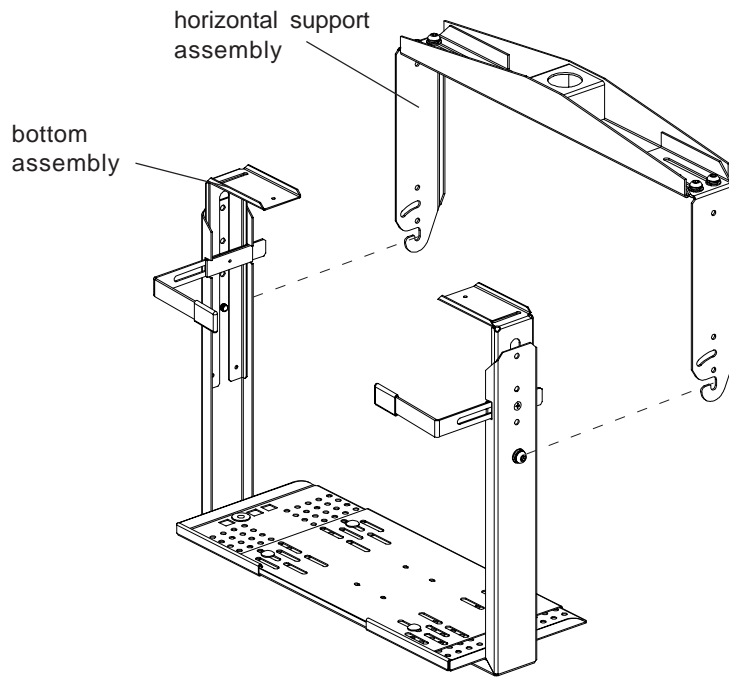


4

Attach roll-out protectors (A) as shown using existing M6 screws and retainer bars.



- 5** Attach horizontal support assembly by hinging back on bottom assembly.



- 6** Fasten top screw/washer combos to both sides and tighten bottom screw/washer combos from both sides as shown below.

