

TECHNICAL DATA SHEET - PRS Series Projector Mount with Spider™ Universal Adapter Plate



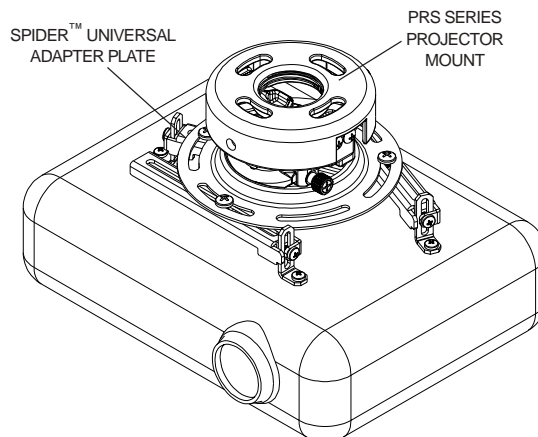
MODELS: PRS-UNV, PRS-UNV-S, PRS-UNV-W



The **PRS Series Projector Mount with Spider™ Universal Adapter Plate** is the most low profile universal mount available today. It offers a quick and easy installation in addition to unmatched versatility. The mount ships pre-assembled, can be attached to any common ceiling structure, and is offered in multiple colors to complement any setting.

Features:

- +5°/-20° Pitch, +/-10° Roll, 360° Yaw (when attached to an extension column), +/-15° Yaw (when flush mounted), which enables the image to be perfectly aligned with the screen
- Mount completely pre-assembled to save you time
- Independent roll, pitch, and yaw adjustments provide easy image alignment
- Can be mounted directly to a single wood beam or concrete slab without disassembling the mount and without reinforcing the ceiling
- Can attach to 1 1/2" extension column, 3/4" extension column, or 3/8" threaded rod
- Armor Lock™ security screws pre-installed for a secure installation in minutes
- Quickly release the projector for maintenance with the simple turn of a knob
- Built in cord management access hole provides complete access to route cords through extension column to keep cords hidden
- 4 adjustment points allow a quick, simple installation
- Final security lock down is optional to use
- Easily and quickly attaches to the Spider™ universal adapter plate
- Universal adapter plate designed to match virtually every projector on the market so there is no longer a need to stock multiple SKU's
- Offered in black, white, and silver to complement any setting
- Low profile allows the projector to be close to the ceiling
- Offers the fastest installation to reduce installation time and costs



Accessories:

- Ceiling Plates (various models available)
- Cord Wrap (ACC 852, ACC 852S, ACC 852W)
- Fixed and Adjustable length Extension Columns, 1 1/2" NPT ("EXT" or "ADJ" models)
- Fixed length Extension Columns, 3/4" NPT ("FLP" models)
- Armor Lock Plus™ security cable with Lock (ACC 020)
- Armor Lock Plus security cable (ACC 021)
- Side to Side Adjuster (ACC 830)

Dimensions:

For product dimensions, see page 2.

ARCHITECTS SPECIFICATIONS

The **PRS Series Projector Mount with Spider™ Universal Adapter Plate** shall be a Peerless model PRS-UNV and shall be located where indicated on the plans. It shall feature 25°(+5°/-20°) pitch, 20°(±10°) roll, 360° yaw (when attached to an extension column), and +/-15° yaw (when flush mounted). It shall have a 25 lb load capacity. It shall have a quick release spring loaded screw for easy removal and installation of the projector. It shall be constructed of aluminum alloy finished in black, white, or silver. Assembly and installation shall be done according to instructions provided by the manufacturer.

Peerless Industries, Inc.

3215 W. North Ave. Melrose Park, IL 60160
708-865-8870 800-865-2112 Fax 708-865-2941

www.peerlessmounts.com

ISSUED: 1-26-04 SHEET NO: 055-9821-3 11-01-05

©2005 Peerless Industries, Inc. All rights reserved.
Peerless is a registered trademark and Spider, Armor Lock, and Armor Lock Plus are trademarks of Peerless Industries, Inc.
All other brand and product names are trademarks or registered trademarks of their respective owners.

TECHNICAL DATA SHEET

MODELS: PRS-UNV, PRS-UNV-S, PRS-UNV-W

All dimensions shown as: $\frac{\text{inch}}{\text{(mm)}}$

Dimensions:

Weight:

2.6 lb (1.2 kg)

Shipping weight:

3.5 lb (1.6 kg)

Maximum Load Capacity:

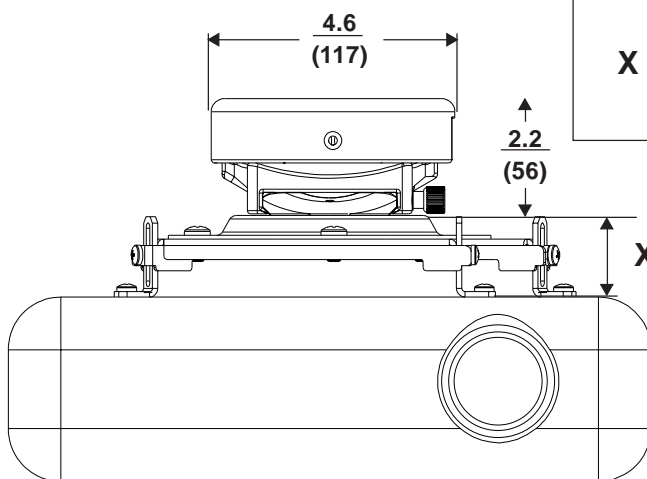
25 lb (11.3 kg)

Shipping Carton dimensions:

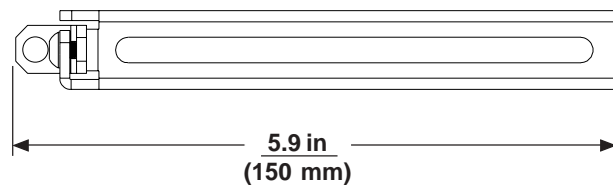
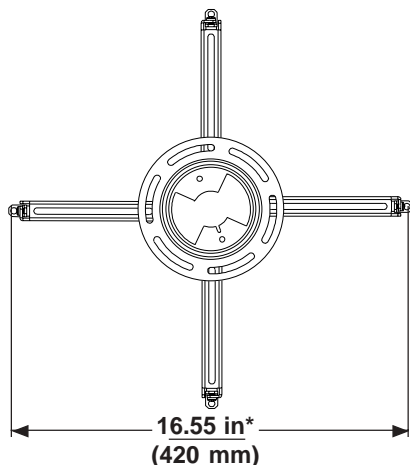
L = 12.25 in (311 mm)

W = 9.625 in (244 mm)

H = 4 in (102 mm)



X	Adjustable Height	
	Min.	Max.
	1.21 in (31 mm)	2.14 in (54 mm)

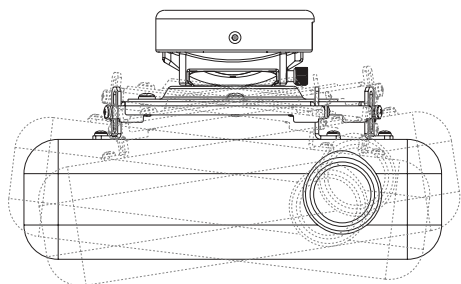


CHANNEL

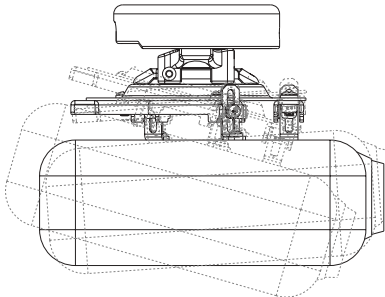
*Mounting holes on projector must be within a 16.55 in diameter in order to use this product.

TOP VIEW OF ADAPTER PLATE

ROLL ±10°



PITCH +5°/-20°



YAW 360° (when attached to an extension column), +/- 15° (when flush mounted)

