

# JULIEN

Donnez vie à vos idées.  
Make your ideas real.

## SPECIFICATIONS

Category: **Kitchen sink**

MODEL: **4081**

Type: **Worktop Single Bowl**

Collection: **Classic™**

### FEATURES:

- Handcrafted in Canada using recycled American stainless steel
- Commercial grade - 16 ga material thickness
- Corrosion resistant 304 series stainless steel (18/10)
- Elegant no. 4 brushed finish (appliance finish)
- Highly efficient sound deadening pads
- Practical flat sink bottom and straight bowl sides
- Stylish and functional bowl bottom grooves
- Convenient knife and utensil holders
- Integrated 1-3/8" faucet hole
- Integrated 1-3/8" soap dispenser hole
- Rear 3-1/2" drain placement
- Limited lifetime warranty

### STANDARDS COMPLIANCE:

- ASME A112.19.3
- CSA B45.0-02
- CSA B45.4-02

### OPTIONAL ACCESSORIES:

- Grid #200154
- Colander #205008
- Cutting board #210036

### WARRANTY:

Julien inc. offers a LIMITED LIFETIME WARRANTY on the [fix] components of its stainless steel sinks against defects of material and workmanship. For further details on our product warranty, please refer to our catalog or Web site.

### PRODUCT SPECIFICATIONS:

Sink type to be worktop style single bowl with curved backsplash. Sink to be handcrafted from a single sheet of 16 ga stainless steel having 18/10 chrome/nickel content and a no.4 brushed finish. Sink to feature bowl bottom grooves, center-back Ø3 1/2" drain placement and sound insulation pads. Sink to feature knife and utensil holders. Sink overall dimensions to be 36" left-to-right and 26" front to back. Bowl dimensions to be 30" left-to-right and 16" front to back. Sink to feature 29mm radius corners. Sink to be Julien Classic™ collection model no. 4081 with bowl depth of 10".

### PROJECT/JOB INFORMATION:

Project/Job name: \_\_\_\_\_

Specifier: \_\_\_\_\_

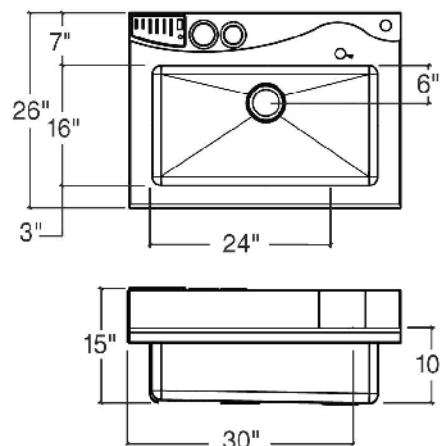
Contractor: \_\_\_\_\_



### SINK DIMENSIONS:

Model	Overall	Bowl (s)	Depth	Recommended Cabinet size
4081	36 x 26	30 x 16	10	36

- All dimensions are in inches



This specification is subject to change without notice. Julien assumes no responsibility for the use of superseded or voided specifications.