

Central Brass C O M P A N Y

Brecksville, Ohio 44141

Phone: (216) 883-0220 Fax: (440) 526-5745

www.CentralBrass.com

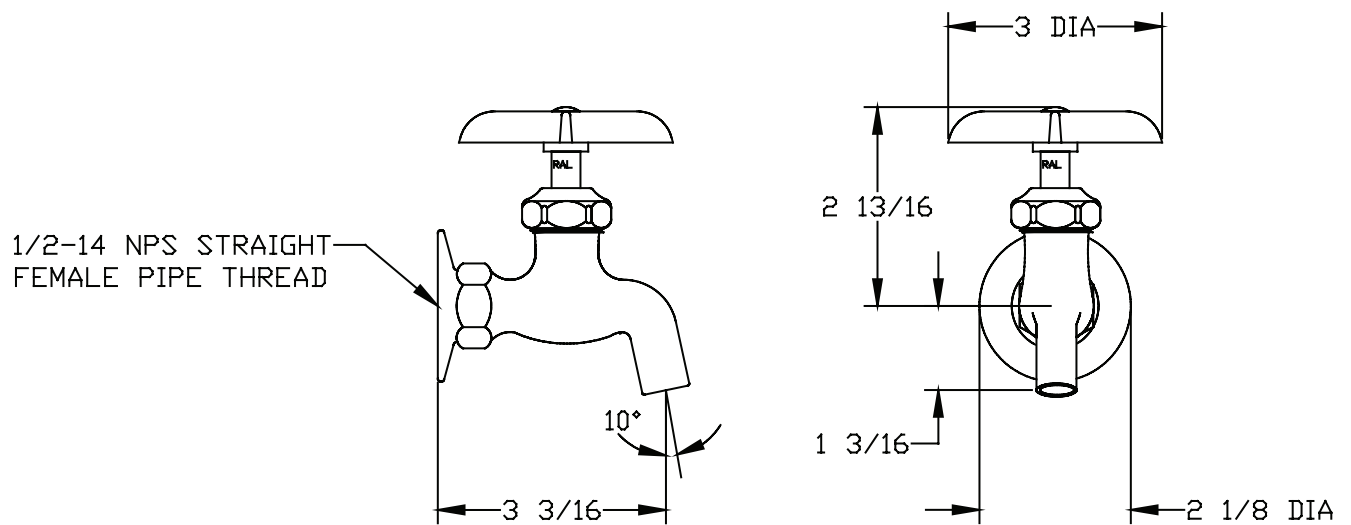
MODEL NO. 0007-1/2
SINK FITTING

The wall mounted sink fitting has a cast brass body with a polished chrome plated finish. The female inlet is 1/2-14 NPS straight pipe thread. The outlet has a plain end. The brass stem, seat, rubber seat washer and reinforced packing are all easily replaced. The handle is chrome plated zinc and is not indexed.

ANSI/NSF 61/Section 9 Certified
ASME A112.18.1M



Installation Drawing



Central Brass

COMPANY

Brecksville, Ohio 44141

Phone: (216) 883-0220 Fax: (440) 526-5745

www.CentralBrass.com

MODEL NO. 0007-1/2
SINK FITTING

Parts Breakdown

#	Part #	Description
1	1215-RCP	Brass Body
2	PF-263-B	Brass Seat
3	104	Brass Screw
4	901-WNN	Rubber Washer
5	PF-1855-47RPRC	Brass Stem
6	PF-4	Brass Washer
7	809	Packing
8	PF-460	Brass Cap Nut
9	1043	Zinc Handle Plain
10	107-F	Brass Screw

The parts listed in the parts breakdown above may not be offered separately as replacement parts. Please review the Replacement Parts page for the authorized replacement parts that are available for this item.

