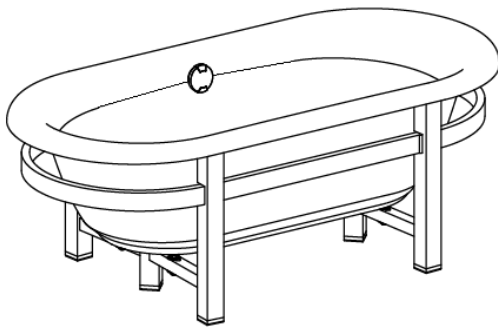




Era™ Freestanding Baths

EU70, EU75, EU95, and EV00 Baths

INSTALLATION AND OPERATION INSTRUCTIONS



Save these Instructions for Future Use

Complete and mail in the product registration card provided with your unit.

Write and save the model and serial number of your unit below.

Owner's Record

Date purchased _____

Purchased from _____

Installed by _____

Serial Number _____

Model _____

Installer: Leave this manual for homeowner.


Homeowner: Read this manual and keep for future reference.

SAFETY INSTRUCTIONS

To avoid the risk of personal injury by fire or electric shock when using the Era™ Freestanding Bath, the following basic precautions should always be taken. These instructions are not meant to cover every possible or existing condition that may occur but to give the User confidence in the use of this fine product. Read and follow all instructions presented in this manual when installing, maintaining, and operating the bath.

HEALTH AND SAFETY

CAUTION: To avoid personal injury, always exercise caution when entering or exiting the bath.

 **DANGER!** To reduce the risk of injury, do not permit children to use bath unless they are closely supervised by an adult at all times.

DANGER: Only healthy adults should use the bath when the water temperature between 100° F and 104° F (38° to 40°). Any temperature below 100° F is considered safe for longer duration (exceeding 10-15 minutes) of for young children. The water temperature in a bath should never exceed 104° F (40° C).

DANGER: Do not use a bath equipped with a heater immediately following strenuous exercise in order to avoid risk of hyperthermia and possible drowning.

DANGER: Excessive water temperature have a high potential for causing fetal damage during the early months of pregnancy. Pregnant or possibly pregnant women should limit bath temperatures to 100° F (38° C).

DANGER: Use of this bath may cause drowsiness and changes in heart rate and blood pressure. Persons suffering from obesity, who have a medical history of heart disease, low or high blood pressure, circulatory problems, or diabetes should consult a physician before using. Persons using medications should consult a physician before using this bath.

DANGER: The use of alcohol, drugs, or medications before or during bathing may lead to unconsciousness and the possibility of drowning.

INSTALLATION INSTRUCTIONS

NOTE: Prepare some tools before installing (see below sheet. Do not place or store items or materials in the tub of the bath during installation as you may damage finish of the bath.

CAUTION: Jacuzzi Whirlpool Bath recommends having a certified plumbing technician install your bath.

CAUTION: To ensure that no damage has occurred to your bath during shipping, it is important to check your bath for damage prior to installation in your home.

CAUTION: Move your new bath to a location that will not be damaged by water run-off. A driveway or patio is suitable for testing your bath.

GENERAL EQUIPMENT

CAUTION: Use this bath only for its intended use as described in this manual. Do not use attachments not recommended by the manufacturer.

DANGER: Do not attempt to plug in or unplug the electrical devices (including the bath) while in or near a filled bath. Never use or handle electrical devices while in or near a filled bath.

CAUTION: Never drop or insert any objects into any openings.

CONTENTS

Safety Instructions	2
General Information	4
Tools Required	4
Part List	4
Installation	6
Preassembly	6
Install Base on Bath	6
a. Attach Claw Feet to Slipper Bath	6
b. Attach Ball-and-Claw Feet to Bath	6
c. Attach Wood Frame to Bath	7
d. Attach Legs to Bath for Pedestal Mount	7
Install Overflow and Drain Assembly	8
Initial Leak Test	8
Install Bath in Permanent Location	8
a. Install Slipper Bath	9
b. Install Double-ended Bath	9
c. Install Bath with Wood Frame	10
d. Install Pedestal Mount	10
Final Leak Test	11
Maintenance	11
Cleaning and Maintenance	11
Repair the Finish	11
Authorized Service	12
Warranty	

NOTE: This is a professional grade product. A knowledge of construction techniques, plumbing, and electrical installation according to codes are required for proper installation and user satisfaction. We recommend that a licensed contractor perform the installation of all Jacuzzi Whirlpool Bath products. Our warranty does not cover improper installation related problems.

**PRODUCT SPECIFICATIONS ARE SUBJECT TO CHANGE WITHOUT NOTICE.
USE INSTALLATION INSTRUCTIONS SUPPLIED WITH PRODUCT.**

Jacuzzi Whirlpool Bath has obtained applicable code listings (standards) generally available on a national basis for products of this type. It is the responsibility of the installer/owner to determine specific local code compliance prior to installation of the product. Jacuzzi makes no representation or warranty regarding, and will not be responsible for any code compliance.

GENERAL INFORMATION

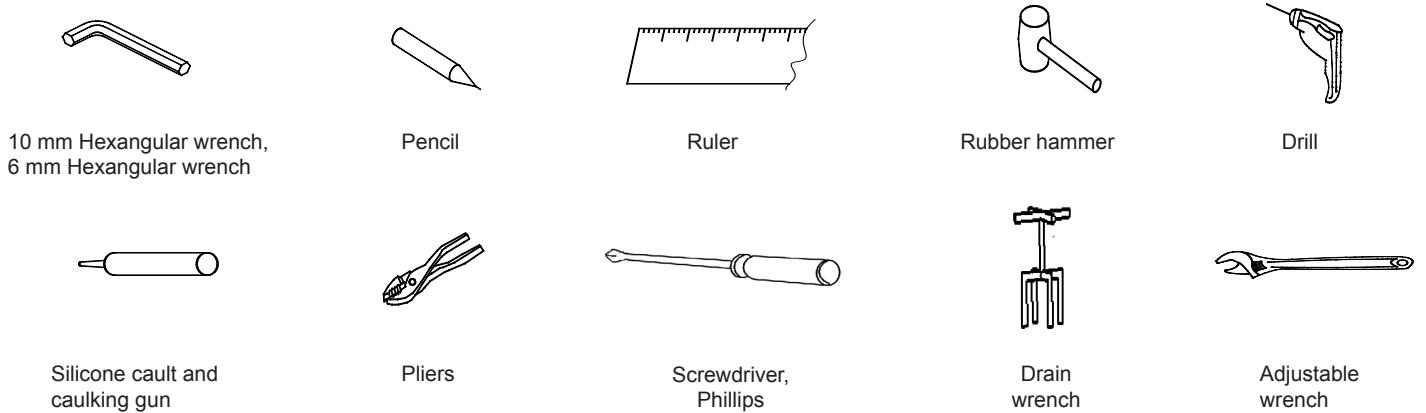
Please read this manual carefully before installation and install the bath accordingly. Jacuzzi is not responsible for any damage due to improper installation or an installation that is not in accordance with your local building and plumbing codes. Jacuzzi Whirlpool Bath recommends having a licensed or certified plumber install your bath.

The following tables provide a Part List and are provided in four sections: Slipper Bath (Model EU70 and EU75; Double-Ended Bath with Claw Feet (Model EU95 and EV00; Double-

Ended Bath with Wood Frame (Model EU95 and EV00; and Double-Ended Bath with Pedestal (Model EU95 and EV00),

CAUTION: Do not place light bulbs or other high temperature tools or goods, or other high-temperature surfaces in the bath. Please keep these objects away from the bath. In addition, do not use harsh detergents or cleaners on the bath as it may damage the finish. For details, see Cleaning and Maintaining Bath at the end of the Installation section of this manual.





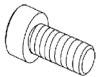
Tools Required



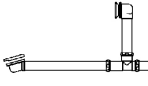
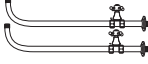
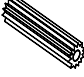



Part List, Slipper Bath, Models: EU70 and EU75


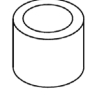
No.	Picture	Item No.	Name	Qty	Remark	No.	Picture	Item No.	Name	Qty	Remark
1		EU70, EU75	Bathtub	1 pc	60x32x18" 69x34x19"	2.8		P9977N	Adjust foot	4 pc	M8x15 mm
2.1		EU06, EV07	Claw feet	2 pc	9.00" Front, 11.00" Rear	3		EV19	Wall mount faucet	1 set	
2.2		P90178W	Metal frame	4 pc	3.74 x2.4 x4.8"	4		EV23	Waste and overflow	1 set	
2.3		P4933N	Rubber gasket	4 pc	3.66 x2.3x0.1"	5		EV16	Floor mount supply lines	1 Set	
2.4		P41160N	Flat washer	8 pc	Φ25xΦ12.5 x2	6		P5905N	Anchor, Swell screw cap	4 pc	See: Install claw feet
		P41159N			Φ25xΦ8.5 x2						
2.5		P4360N	Lock washer	8 pc	Φ12.5 x2.5	7		P9978N	Fixed mast	4 pc	See: Install claw feet
		P4122N			Φ8.3x2						
2.6		P5181N-1	Screw, hex head	8 pc	M12x30						
		51160N			M8x25						

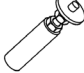

Part List, Double-Ended Bath (with Claw Feet) Models: EU95 and EV00

No.	Picture	Item No.	Name	Qty	Remark
1		EU95, EV00	Bathtub	1 pc	66x36x19" 71x42x19"
2.1		EV01	Claw feet	4 pc	See installation claw feet
2.2		P41160N	Flat washer	4 pc	Φ25 x Φ12.5 x 2
2.3		P4360N	Lock washer	4 pc	69x34 x25.4
2.4		P5181N-1	Screw, hex head	4 pc	M12x30

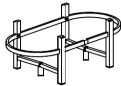

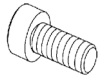
No.	Picture	Item No.	Name	Qty	Remark
2.5		P9977N	Adjust foot	4 pc	M8x15 mm
3		EV19	Wall mount faucet	1 set	
4		EV23	Waste and overflow	1 set	See Install Overflow/ drain equipment
5		EV16	Floor mount supply lines	1 set	
6		P5905N	Anchor swell screw cap	4 pc	See Install Claw Feet
7		P9978N	Fixed mast	4 pc	See Install Claw Feet



Part List, Double-Ended Bath (with Pedestal Mount) Models: EU95 and EV00

No.	Picture	Item No.	Name	Qty	Remark
1		EV17 EV14	Pedestal	1 pc	66 x 36" 71 x 42"
2		P90198N	Post	4 pc	Φ13x15

No.	Picture	Item No.	Name	Qty	Remark
3		P9973W	Pedestal	4 pc	See Install Pedestal legs
4		P5162N	Anchor swell screw	4 pc	M8

Part List, Double-Ended Bath (with Wood Frame) Models: EU95 and EV00

No.	Picture	Item No.	Name	Qty	Remark
1		EV11 EV12	Wood frame	1 pc	66x36 71x42
2		P41160N	Flat washer	4 pc	Φ25 xΦ12.5 x2
3		P5181N-1	Screw, hex head	4 pc	M12x30

No.	Picture	Item No.	Name	Qty	Remark
4		P41161W	Rubber gasket	4 pc	Φ25 xΦ12.5 x1
5		P5162N	Anchor, swell screw	4 pc	M8x75

INSTALLATION

PREASSEMBLY

The Preassembly and Initial Leak Test gives the recommended order of steps for receiving the Jacuzzi bath and preparing it for installation in its permanent location.

The Installation section presents instructions to: 1) Install Base on Baths; 2) Install Overflow and Drain; 3) Perform Initial Leak Test; and 4) Install Bath in Permanent Location. Each section is presented in subsections according to the type of bath you have: The Slipper Model (EU70 and EU75); the Double-ended Model (EU95 and EV00). There is no reason to read instructions that do not pertain to your model bath.

CAUTION: Do not remove or rub off the protective film that protects bath surfaces until completion of the Final Leak Test.

Prepare a place where you can fill the bath with water and then drain the run-off. A drive-way or patio is a suitable location. Upon removing the bath from its shipping carton, set it on a protective covering, or on the shipping carton, to protect it from abrasion.

Initial Inspection

Make sure that no damage has occurred to your bath during shipment. Should inspection reveal any damage or defect, do not install the bath. Damage or defects claimed after the bath has begun assembly is excluded from the warranty. All baths are factory tested and inspected prior to shipment.

IMPORTANT: Jacuzzi Whirlpool Bath is not responsible for any defect or damage that could have been discovered, repaired, or prevented by following this procedure.

CAUTION: Supplied bolts, gaskets, and spring gasket must be used for proper installation. Do not substitute supplied hardware as damage to the bath assembly may occur.

INSTALL BASE ON BATH

Before assembly of the overflow and drain equipment to the bath, install the base on the bath. The following provides instructions for installation of the different models and options. Select the installation instruction that is appropriate for your bath and begin installation of the base on baths.

a. Attach Claw Feet to Slipper Bath

Before placing the fixed seats in place, it is necessary to attach the claw feet to the bath.

To install the claw feet on the slipper bath, turn the bath upside down on a protective covering and assemble the four feet as shown in Figure 1. Place the larger pair of claw feet towards the back of the bath (the back is higher than the front).

To begin with, fasten each foot snugly, then check to be sure that each of the feet and attaching hardware is flush to the bath and well-seated. Then make the hardware very tight.

Place the bath upright on the protective covering and proceed to the Overflow and Drain Assembly instructions.

b. Attach Ball-and-Claw Feet to Bath

Before fixing the anchors in place, it is necessary to attach the ball-and-claw feet to the bath.

To install the ball-and-claw feet on the double-ended bath, turn the bath upside down on a protective covering and assembly the four feet as shown in Figure 2. Any of the feet can be used at any of the four corners of the bath.

To begin with, fasten each foot snugly, then check to be sure that each of the feet and attaching hardware is flush to the bath and well-seated. Then make the attaching hardware very tight.

Place the bath upright on the protective covering and proceed to the Overflow and Drain Assembly instructions.

NOTE: Two larger feet are installed at the back end of the where the rim is higher.

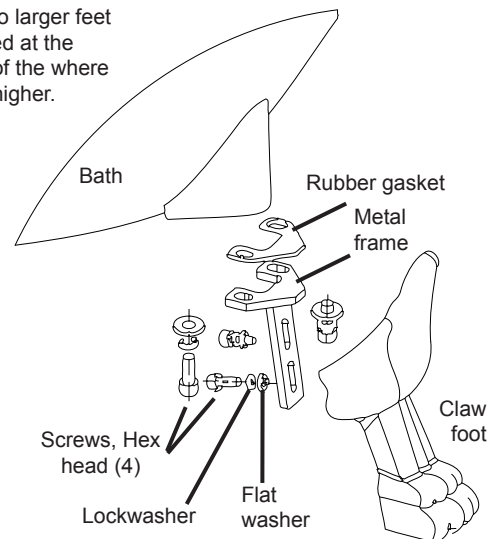


Figure 1. Installation of Claw Feet for Slipper Bath

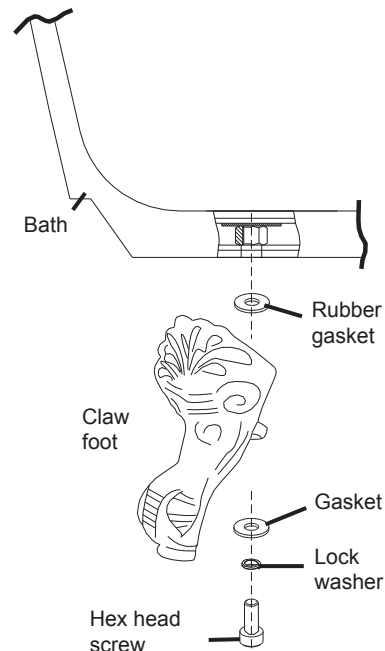


Figure 2. Installation of Ball and Claw Feet

c. Attach Wood Frame to Bath

To install the double-ended bath on the wooden frame, it is necessary to assembly the wood frame, see Figure 3.

1. To attach the wood frame to the bath, first place the bath on a protective covering up-side down and set the wood frame on the bath.
2. It is necessary to align a notch on the side of the wood frame with the drain hole on the bath, see 3a of figure.
3. Set the bath in the wood frame and attach four screws to fasten the bath to the frame, make them snug.
4. Check the fit and when satisfied, make the screws tight.

Place the bath upright on the protective covering and proceed to the Overflow and Drain Assembly instructions.

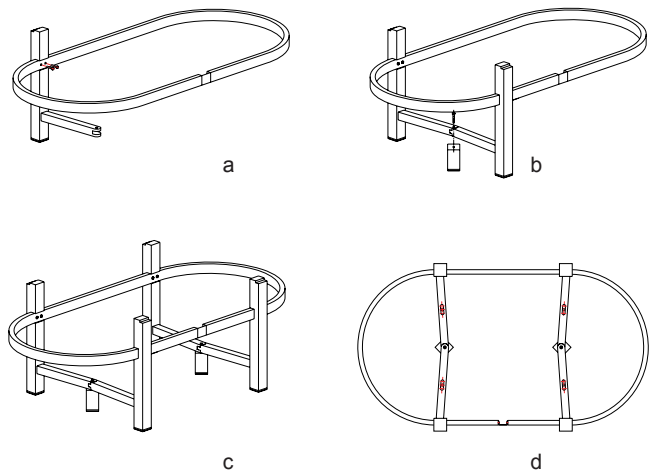


Figure 3. Assembly of Wood Frame

d. Attach Legs to Bath for Pedestal Mount

To install the pedestal bath it is necessary to attach the pedestal legs to the bottom of the bath, locate the pedestal and fixed seats to the foundation, and connect the plumbing.

1. Turn the bath up-side down on a protective covering and install the pedestal legs at the bottom of bath, see Figure 4.
2. Place the four legs snugly then check to see that they fit well on the bath. When satisfied, make the screws tight.

Proceed to the Overflow and Drain Assembly instructions.

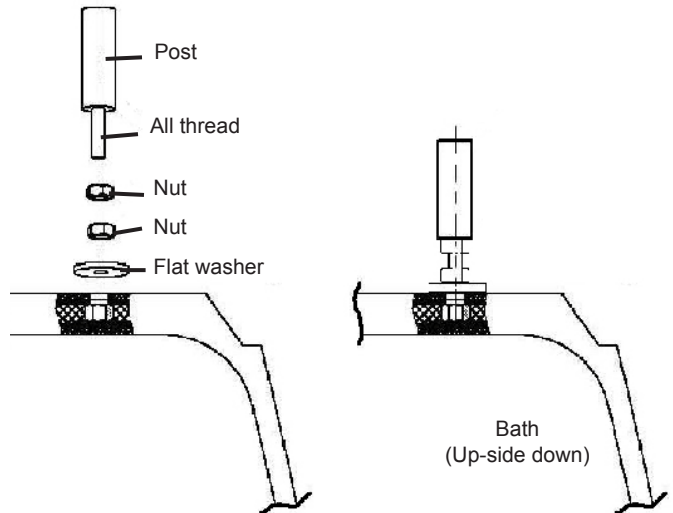


Figure 4. Attach Pedestal Legs

INSTALL OVERFLOW/DRAIN ASSEMBLY

Installation of the Overflow equipment is shown in Figure 5. The installation of drain equipment is shown in Figure 6.

INITIAL LEAK TEST

When the bath base and the overflow and drain equipment is attached, complete the Initial Leak Test.

1. Fill bath with water up to one inch below the overflow fitting.
2. Pat dry the outside of the bath and equipment if any of this has gotten wet.
3. Allow at least 30 minutes for the water to set. After 30 minutes, check the bath for leaks.
4. Drain the water from the bath after a successful leak check.
5. Dry the bath with a clean dry cloth and prepare to move the bath to its permanent location.
6. Proceed to install the bath in a permanent location.

INSTALL BATH IN PERMANENT LOCATION

At this time you should have a precise idea of where to install the bath in relation to the water supply lines and drainage. You will now proceed to set the fixed seats in the foundation and it is essential necessary that the dimensions be exact. A water supply configuration is represented in Figure 7 and the specifications are presented in Figure 8.

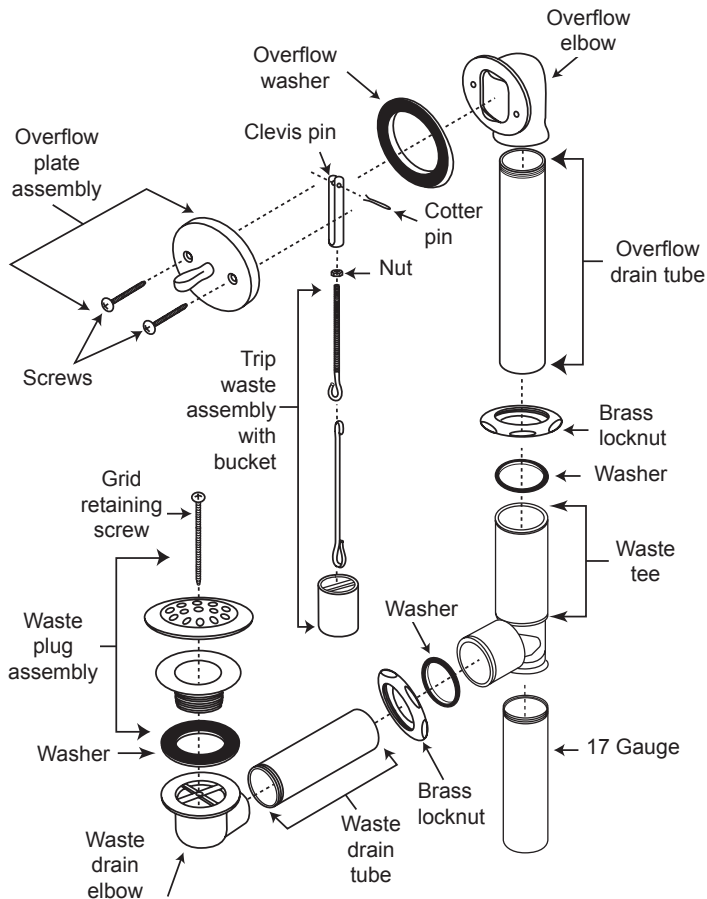


Figure 5. Overflow/Drain Assembly (All models)

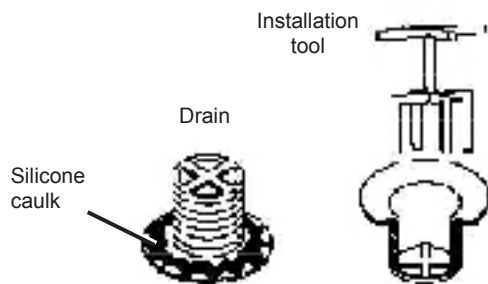


Figure 6. Installation of Drain

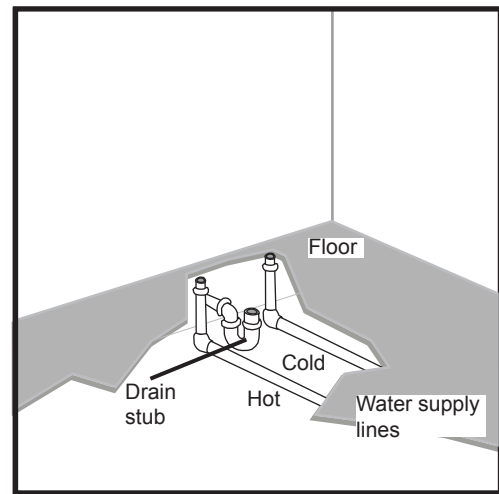


Figure 7. Water Supply from Floor

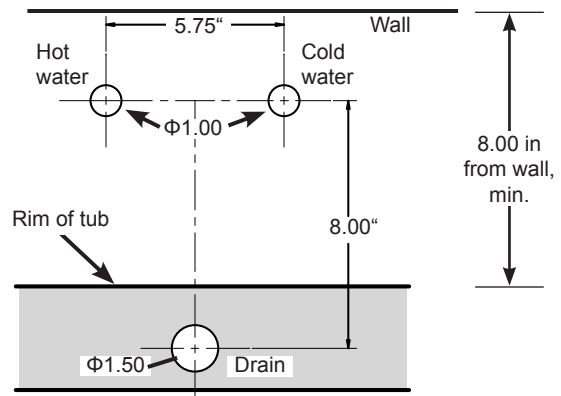


Figure 8. Drain and Supply Line Locations

a. Install Slipper Bath

1. Fasten a piece of paper at the permanent location that the bath will be attached to the foundation. The paper should be fastened with tape in a manner that it does not move.
2. Place the bath into its permanent location. Each claw foot should be set on one of the pieces of paper, see Figure 9.
3. Use a pencil to draw an outline around the base of each leg, see Figure 10a.
4. Remove the bath and set it on a protective covering for drilling the holes for the anchors (see 10b).
5. Drill a 7/16 in hole the depth of the 1-1/2 in screw length for each anchor. Then remove the paper from the floor and discard.
6. To place the anchors in their permanent location to secure the bath (10c).
7. Tight nut to expand anchor and secure foot to floor (10d).

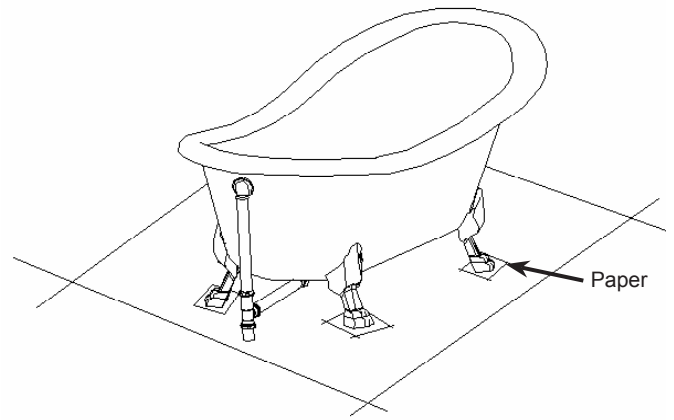


Figure 9. Bath Location for Slipper Bath

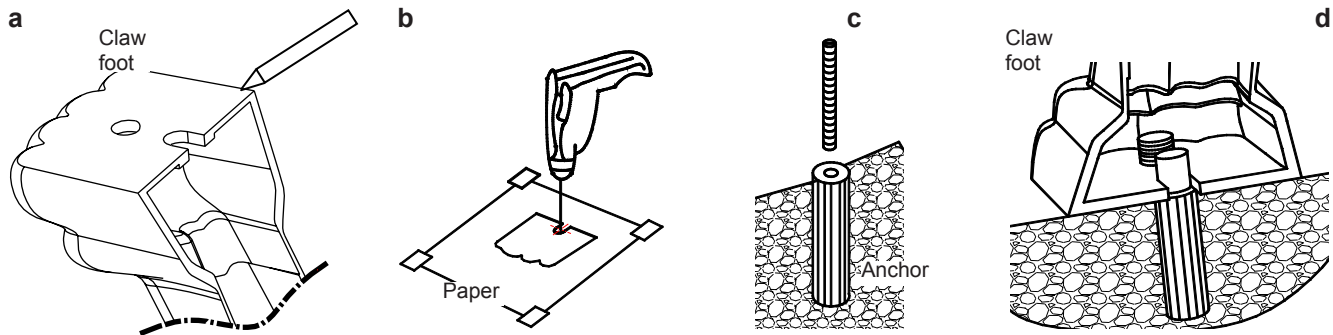


Figure 10. Secure EU70 and EU75 Baths to Foundation

b. Install Double-Ended Bath

1. Fasten a piece of paper at the permanent location that the bath will be attached to the foundation. The paper should be fastened with tape in a manner that it does not move.
2. Place the bath at the precise location that it will be permanently installed. Each ball-and-claw foot should set on one of the pieces of paper, see Figure 11.
3. Use a pencil to draw an outline at the base of each leg, see Figure 12a.
4. Remove the bath to another location for drilling the holes for the anchors (see 12b).
5. Drill a 7/16 in hole the depth of the 1-1/2 in screw length for each anchor (12c). Then remove the paper from the floor and discard.

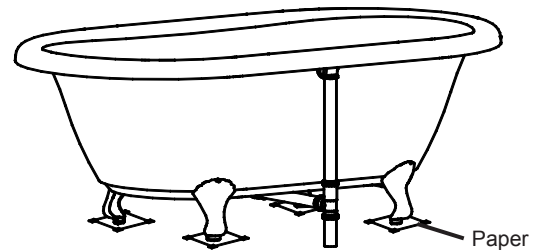


Figure 11. Bath Location for EU-95 and EV-00

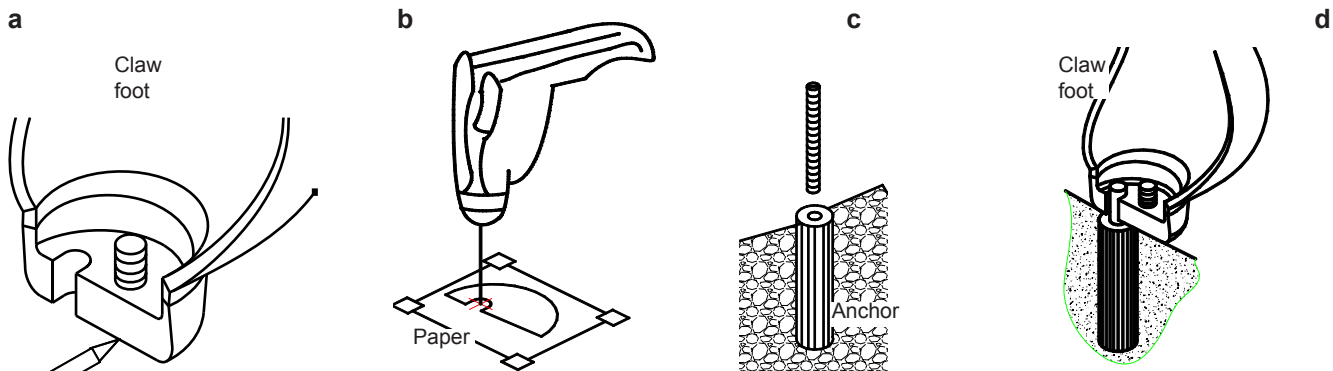


Figure 12. Secure EU-95 and EV-00 Baths to Foundation

c. Install Double-Ended Bath with Wood Frame

Prepare to place the bath in its permanent location by estimating the four points that the legs of the wood frame will set in relation to the plumbing.

CAUTION: Handle the bath in its frame by the rim of the bath. The frame is not constructed to transport the bath. **Damage to the frame may occur if you attempt to move the assembly by carrying the bath by the frame.**

1. Fasten a piece of paper on the permanent location that the wood frame will be attached to the foundation. The paper should be fastened with tape in a manner that it does not move, see Figure 13.
2. Place the wood frame over the precise location that the bath will be permanently installed. Each leg of the wood frame should set on one of the pieces of paper.
3. Use a pencil to draw an outline around base of each leg.
4. Remove the wood frame to another location for drilling the holes for the anchors.
5. Drill a $\frac{7}{16}$ in hole the depth of the 1-1/2 in screw length for each anchor. Then remove the paper from the floor and discard, see Figure 14.

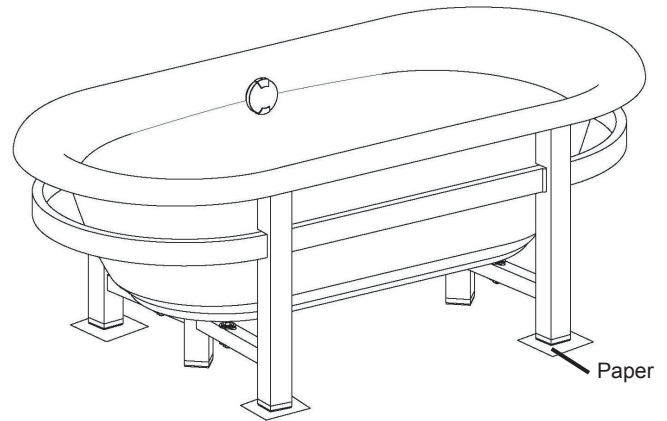


Figure 13. Location for Double-Ended Bath

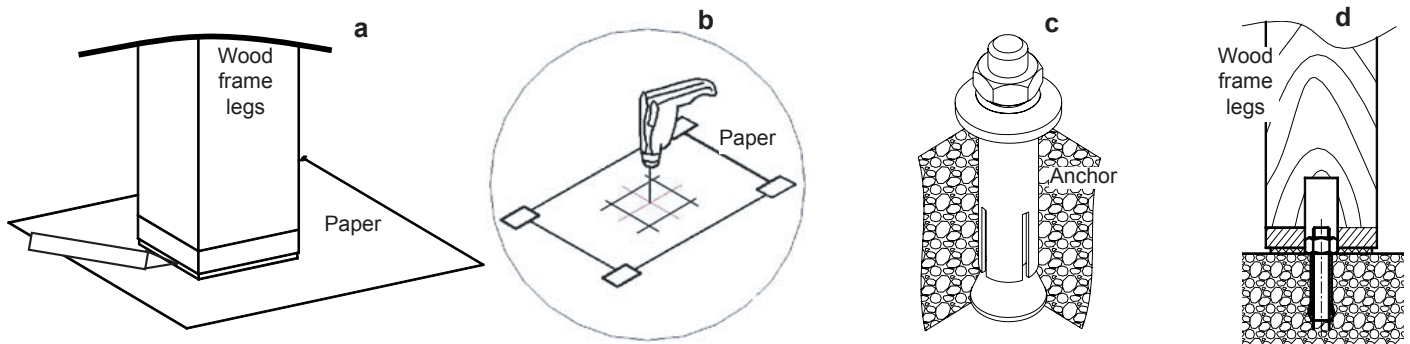


Figure 14. Secure Bath to Wood Frame

d. Install Pedestal Mount

Prepare to place the bath in its pedestal in its permanent location by estimating the location of the pedestal in relation to the plumbing.

1. Place the pedestal on the protective covering.
2. Set the bath carefully on the pedestal and check to see that the skirt has a good fit. It may be necessary to adjust the pedestal legs to be level and to accommodate the pedestal.
3. Fasten a piece of paper at the permanent location where each of the four pedestal legs will be attached to the floor. The paper should be fastened with tape in a manner that it does not move, see Figure 15.
4. Take the bath without the pedestal and place it in its permanent location. Each leg of the bath should set on one of the pieces of paper.
5. Use a pencil to draw an outline around base of each leg.
6. Remove the bath and place it on the pedestal or on a protective covering for drilling the holes for the anchors.
7. Drill a hole the depth of the screw length for each anchor, see Figure 16.

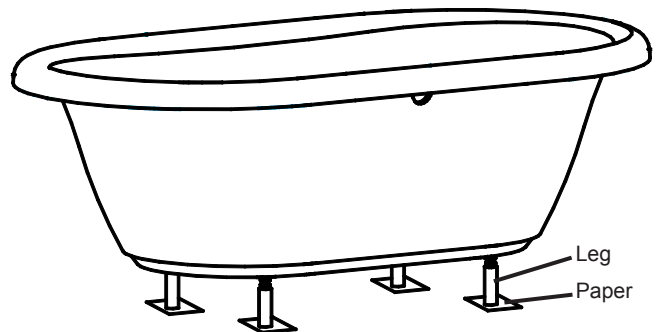


Figure 15. Bath Location with Pedestal Legs

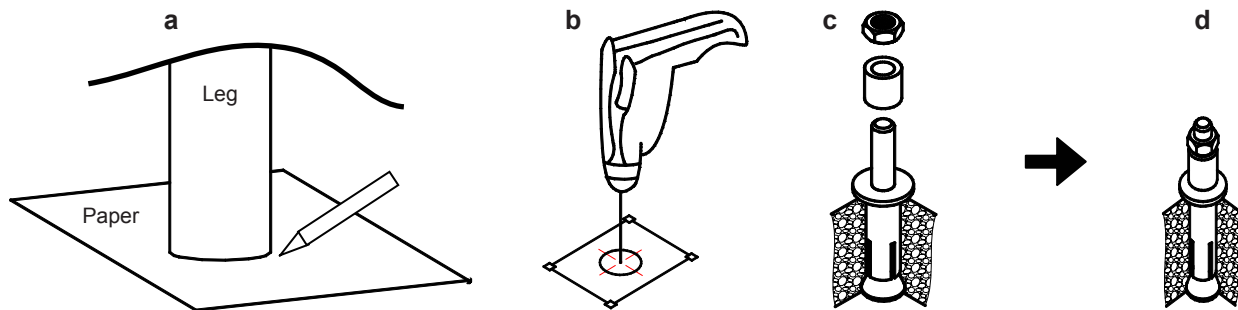


Figure 16. Secure Bath to Pedestal Mount

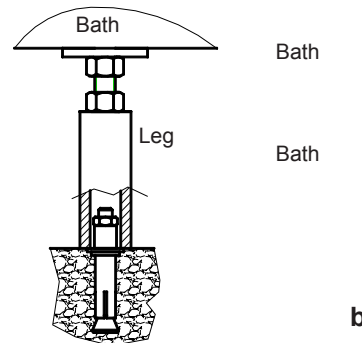
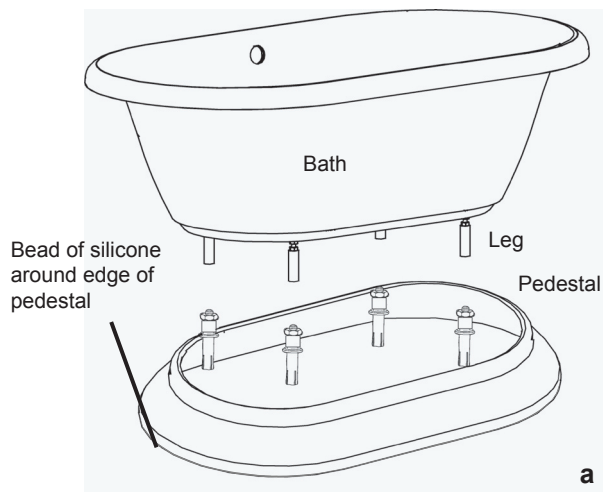


Figure 17. Placement of Pedestal and Bath

8. Place the pedestal in its permanent position and set the bath in its position on the pedestal, see Figure 17.
9. Tighten nut to expand anchor and secure base of leg (16C)
10. Apply a bead of silicone around the floor-edge of the pedestal, as shown in Figure 17a.

FINAL LEAK TEST

After the bath has been installed in its permanent location, perform the Final Leak Test. Fill the bath to the overflow level and let it set for twenty-four hours. If water has splashed onto the outside of the bath, pat-dry it before letting it sit.

After twenty-four hours if there is no water leakage. At this point, remove the protective film that protects the bath surfaces.

Remove the water through the drain and clean the bath according to the following Cleaning and Maintenance instructions.

MAINTENANCE

CLEANING AND MAINTENANCE

WARNING: Do not use corrosives as paint thinner or acetone to clean the bath or remove stains. Irreparable damage to the bath finish will occur.

Always clean your bath immediately after use. This makes it easier to clean and provides best results. Use a soft cotton cloth with a mild soap. Harsh or abrasive cleaners can harm the finish.

CAUTION: Use soap to clean the bath and never use a harsh or abrasive cleaner. Soap is effective to clean the bath and it does not harm the bath finish.

REPAIR THE FINISH

To repair a mild scratch to the bath finish, use the following methods to remedy it.

1. Polish the surface of the scratch with a metal or car polish to work up the bright surface.
2. Use a 1000 grit sand paper to polish the surface of the scratch. If necessary, repeat Step 1 above.

AUTHORIZED SERVICE

If you need a referral for a service company near you, or need assistance with operation or maintenance related questions, please call our Service Support Department at 1-800-288-4002. Visit our web site at <http://www.jacuzzi.com/> for products and services.

To find service agent listings for:

Electrical or Mechanical Repairs visit <http://jacuzzi.com/pdf/ASA.PDF>

Finish, Surface, or Shell-Related Repairs visit <http://jacuzzi.com/pdf/AFC.PDF>

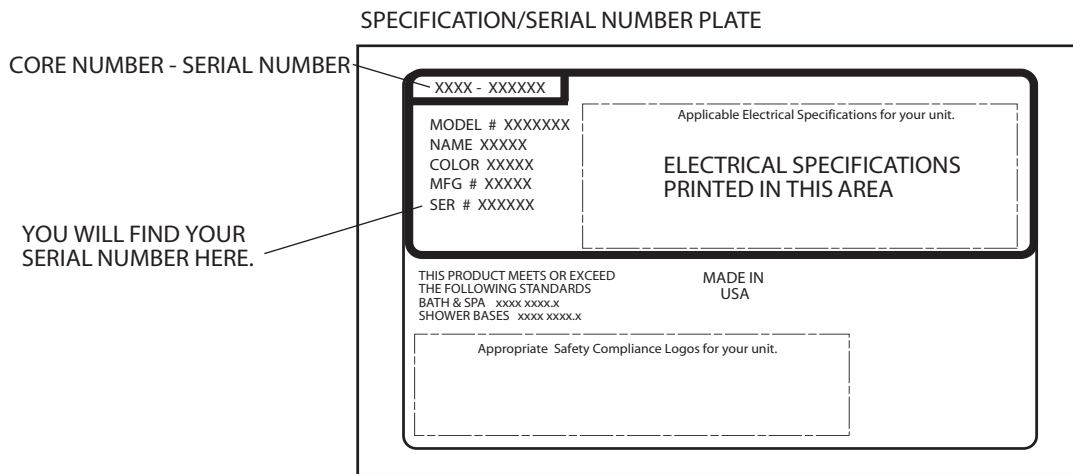
Repair Parts or Accessories visit <http://jacuzzi.com/pdf/MPD.PDF>

When requesting service or technical assistance please have available both the model and serial number of your unit. This information can be obtained from the product registration card provided with your unit. If the card has been misplaced, this information can be obtained from the specification/serial number label on the unit itself (for location of specification/serial number label see below).

BATH PRODUCTS

Whirlpool baths: The label is located on the wall of the bath near the pump/motor.

Non-jetted baths: The label is located next to the overflow.



PRODUCT SPECIFICATIONS ARE SUBJECT TO CHANGE WITHOUT NOTICE
USE INSTALLATION INSTRUCTIONS SUPPLIED WITH PRODUCT

Jacuzzi Whirlpool Bath has obtained applicable code (standards) listings generally available on a national basis for products of this type. It is the responsibility of the installer/owner to determine specific local code compliance prior to installation of the product. Jacuzzi Whirlpool Bath makes no representation or warranty regarding, and will not be responsible for any code compliance.

Jacuzzi Whirlpool Bath

14525 Monte Vista Avenue, Chino, California 91710

Service Support: 1-800-288-4002

JACUZZI WHIRLPOOL BATH LIMITED WARRANTY ERA FREESTANDING BATHS

WARRANTY COVERAGE

Jacuzzi Whirlpool Bath® (the Company) offers the following express limited warranty to the original purchaser of any ERA Freestanding bath ("unit") who purchases the product for personal or single family use ("user"). The Company will repair or replace, at its option, the unit or its equipment in accordance with the following terms and conditions. The terms of the warranty will be administered by Jacuzzi Whirlpool Bath®.

ONE YEAR LIMITED WARRANTY ON BATHS

Our limited warranty on ERA Freestanding baths is for one (1) year. Our warranty covers the unit and factory-installed components against defects in material or workmanship. Warranty coverage begins on the date the unit was originally purchased by the user.

NINETY DAY (PARTS ONLY) LIMITED WARRANTY ON OPTIONS AND ACCESSORIES

Our limited warranty on options and accessories manufactured by the Company is for ninety (90) days for parts only. Our warranty covers options and accessories manufactured by the Company (e.g., fill spout kits) against defects in materials or workmanship. Warranty coverage begins on the date the option or accessory was originally purchased by the user.

WARRANTY LIMITATIONS

Our limited warranty does not cover defects, damage, or failure caused by the common carrier, installer, user, or other person, or resulting from, without limitation, any of the following: careless handling (lifting unit by plumbing, abrading finish, etc.); modification of any type for any reason (including modification to meet local codes); improper installation (including installation not in accordance with instructions and specifications provided with the unit); connections supplied by the installer of the equipment; improper voltage supply or unauthorized electrical modification; misuse; incorrect operation, or lack of proper routine maintenance; operation of the unit without specified minimum amount of water or at inappropriate water temperature; use of abrasive or improper cleaners; or acts of God, such as lightning, floods, earthquakes, etc.

In addition, THE COMPANY WILL NOT BE RESPONSIBLE FOR INCIDENTAL OR CONSEQUENTIAL DAMAGES or losses arising from any cause (e.g., water damage to carpet, ceiling, loss of use, etc.) including its own negligence; damages to, respecting, or resulting from: optional bath equipment not manufactured by the Company but supplied by Dealer, installer or the Company; the unit's prior usage as an operational display; or defects that should have been discovered before installation. This limited warranty does not include: labor, transportation, or other costs incurred in the removal and/or reinstallation of the original unit and/or installation of a replacement unit; any costs relating to obtaining access for repair; or loss of use damage, including loss of sales, profit or business advantage of any kind under any circumstances. Bath units are excluded from any warranty coverage if any addition, deletion, or modification of any kind whatsoever has been made to the unit (or to any component).

Warranty coverage is provided in the United States of America and Canada only.

EXCLUSION OF IMPLIED WARRANTIES

Implied warranties of merchantability and fitness for a particular purpose are disclaimed altogether or to the full extent allowed by law.

NOTICE: This warranty gives you specific legal rights, and you may also have other rights which vary from state to state. There are no warranties applicable to Luxury Series baths except as expressly stated herein or as implied by applicable state and federal laws. The Company will not be responsible for any statements or representations made in any form that go beyond, are broader than or are inconsistent with any authorized literature or specifications furnished by the Company.

Some states do not allow limitations on how long an implied warranty lasts, or the exclusion or limitation of incidental or consequential damages, so the above limitations and exclusions may not apply to you.

RETURN OF WARRANTY CARD

The attached Warranty Registration Card MUST be filled out by the purchaser within thirty (30) days from purchase and mailed in order for this warranty to become effective.



Jacuzzi Whirlpool Bath
14525 Monte Vista Avenue
Chino, California 91710

RESPONSIBILITIES OF OTHERS

Inspecting the unit prior to installation is the responsibility of the installer or building contractor who acts on behalf of the user. They are responsible for ensuring the unit is free of defect or damage. Notices are placed on and in the unit and on the shipping carton advising the installer of this responsibility. In the event of a problem, the unit must not be installed. The Company is not responsible for failures or damage that could have been discovered, repaired, or avoided by proper inspection and testing prior to installation.

Damage occurring in transit is the responsibility of the carrier. The user or installer MUST open the crate and inspect the unit for damage when it is delivered. If damage is discovered, it must be reported immediately to the seller and the carrier in writing, and an inspection requested. Failure of the carrier to respond should be reported to the seller and the carrier. Your freight claims should be filed promptly thereafter.

It is the responsibility of the installer, building contractor, or user to provide access for service. The Company is not responsible for any costs relating to obtaining access for repair. The user shall bear such costs and, if appropriate, must seek recovery from the installer.

Damage occurring to the unit during installation is the responsibility of the installer and/or building contractor and damage occurring thereafter is the responsibility of the user.

Failure of any optional equipment is the sole responsibility of the equipment manufacturer. (Options and accessories manufactured by the Company are warranted for ninety (90) days from the original date of purchase for parts only.)

The Distributor or Dealer is responsible for knowing local code requirements and notifying the installing contractor and/or user of these requirements at the time of purchase. The Company is not responsible for costs to modify any product to obtain any code approval, such as city, county, or state building codes in U.S.A. or municipal or provincial codes in Canada.

WARRANTY SERVICE

For the customer's benefit, the Company maintains a list of independent service personnel to perform required warranty service repairs. Such firms are not agents or representatives of the Company and cannot bind the Company by words or conduct.

The Company will provide the warranty service described above when the following conditions have been met: the failure is of the nature or type covered by the warranty; the user has informed an Authorized Service Agent or Warranty Service Department Representative of the nature of the problem during the warranty period; conclusive evidence (e.g., proof of purchase or installation) is provided to the foregoing by the user proving that the failure occurred or was discovered within the warranty period; an authorized independent service person or Company representative has been permitted to inspect the unit during regular business hours within a reasonable time after the problem was reported by the user.

If order to obtain warranty service, call the warranty service number below for the location of the nearest Authorized Service Agent or write:

Jacuzzi Whirlpool Bath®

Warranty Service Department
14525 Monte Vista Avenue
Chino, California 91710
Call: (800) 288-4002

To obtain warranty replacement for factory-installed components for Company supplied options and accessories manufactured and supplied by the Company, call or write the above. Provide a description of the problem and proof of purchase. You will be instructed how to obtain replacements and where to return, at your expense, the failed component(s), option(s), or accessory(ies).

All replacement parts, equipment, and repairs shall assume the remaining warranty period of the part(s) replaced.

The Company's warranty obligation shall be discharged upon tender of replacement or repair. The customer's refusal to accept the tender terminates the Company's warranty obligation

Ninety-Day Parts
Only Limited
Warranty on
Accessory(ies)

Ninety-Day Parts
Only Limited
Warranty on
Accessory(ies)



Warranty Registration Card

This card must be filled out and returned to the address printed on the other side within thirty (30) days from date of purchase in order for this warranty to be come effective.

Purchaser's Name _____
 Purchaser's Address _____
 City _____ State _____ Zip _____
 Date of Purchase _____
 Model Name _____
 Serial Number _____
 Dealer's Name _____
 Dealer's Address _____

1. How did you first hear about this Jacuzzi product?
 Advertisement Article in Magazine/Newspaper
 Visited Dealer/Plumbing Supplier Yellow Pages
 Builder/Plumber/Remodeler Decorator/Architect
 Visited Retailer/Home Center Store
 Word of Mouth . . . Friend/Relative/Acquaintance
 Other (Please Describe) _____
2. Who first gave you specific information about this product (specifications, prices, etc.)?
 Dealer/Plumbing Supplier Builder Remodeler
 Plumbing Contractor Retailer/Home Center Store
 Decorator/Architect Already Installed
 What was the main reason for purchase?
 Styling Warranty Service Product Features
 Brand Name Price Hydrotherapy
 Home Resale
 Other _____
4. Who finally decided which product you would buy?
 Self Spouse Self and Spouse Together
 Other Family Member Designer/Architect
 Builder/Plumber/Remodeler Already Installed
 5. Who installed it?
 Contractor/Plumber when remodeling
 Self/Spouse when remodeling
 Other _____
6. What is the current market value of this property?

7. Please estimate \$ _____ years
 7. What is the age of the head of the household? _____ years
8. What other manufacturers did you consider?
 Astoria Company Lasco Price Plister Aqua Glass
 Kohler American Standard Sterling
 Other (Specify) _____
9. How long did you stop before purchasing unit?
 1 day 2 months - 6 months
 2-7 days 6 months - 1 year
 1 week - 2 weeks 1 year - 2 years
 2 weeks - 4 weeks +2 years
 1 month - 2 months
10. Approximately how long have you lived in this home? _____
 Up to \$24,999 \$50,000 to \$74,999
 \$25,000 to \$29,999 \$75,000 to \$99,999
 \$30,000 to \$39,999 \$100,000 to \$149,999
 \$40,000 to \$49,999 \$150,000 and Above
12. Was your purchase process?
 Very easy Easy Difficult Very Difficult