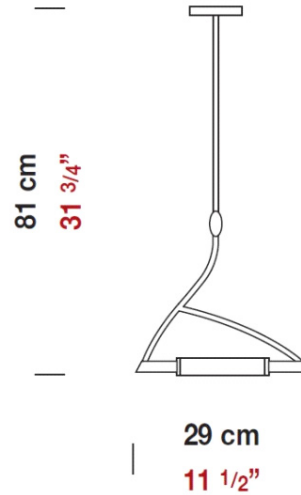


Date: _____

Project: _____

Fixture Type: _____

Specifier/Rep: _____



Certified by  for North American Standard

APPLICATION:

Ceiling - Suspended

CONSTRUCTION:

Fixture Material:

Not available

Fixture Finish:

White

Available Finish/Size/Lamping Options

Options Available

Component Requirement:

Complete Unit, no component required

ELECTRICAL:

Lamp Category: Halogen

Power Supply:

Not available

Voltage: 120

(277v or 347v available upon request)

Emergency:

Not available

IP RATING:

IP40

OPTICS:

Diffusor Material:

Pyrex

Diffusor Finish:

Matte White Printed

Reflector: Not available

Efficiency:

Not available

NOTES:



Date: _____

Project: _____

Fixture Type: _____

Specifier/Rep: _____

Available Sizing/Lamp/Finish Options

Model No	Fixture - Diffuser	Details
D8-1028	Chrome - Matte White Printed	L: 11 1/2" / 29.2 cm H: 31 3/4" / 80.6 cm, One T3Q (119mm), Max. 200W with RSC (double ended) base, V
D8-1029	Metalic Gray - Matte White Pr	L: 11 1/2" / 29.2 cm H: 31 3/4" / 80.6 cm, One T3Q (119mm), Max. 200W with RSC (double ended) base, V
D8-1394	White - Matte White Printed	L: 11 1/2" / 29.2 cm H: 31 3/4" / 80.6 cm, One T3Q (119mm), Max. 200W with RSC (double ended) base, V