



PROJECT: _____

LOCATION: _____

DATE: _____

PRODUCT SPECIFICATIONS

STYLE # D8-1155

SERIES NAME: RIMMEL

FIXTURE LOCATION: Pendant

STRUCTURE: Metal

COLOR /FINISH: Chrome

DIFFUSER: Frosted White Glass

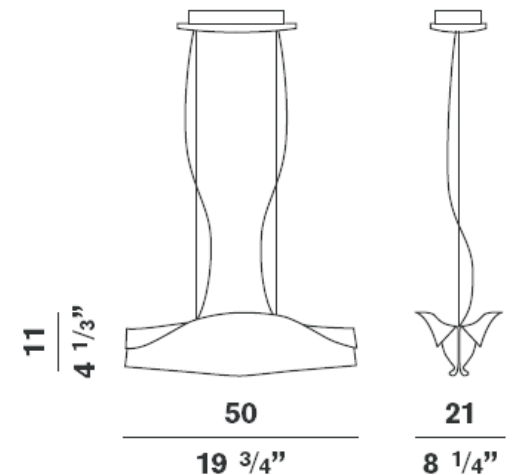
LAMP / BALLAST: T3Q/3 (79mm) Halogen

MAX WATT: 1 x 150W

DIMENSIONS: L. 19 3/4" x Ht. 4 1/3" x W. 8 1/4"

APPROVALS:

Approved by  for North American Standards.



NOTES: _____