

JOB: \_\_\_\_\_

LOCATION: \_\_\_\_\_

DATE: \_\_\_\_\_

## PRODUCT SPECIFICATIONS

STYLE # D8-3094SERIES NAME: SHADOW

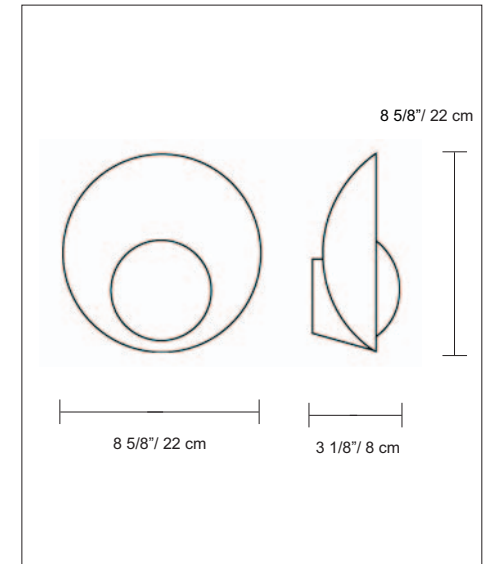
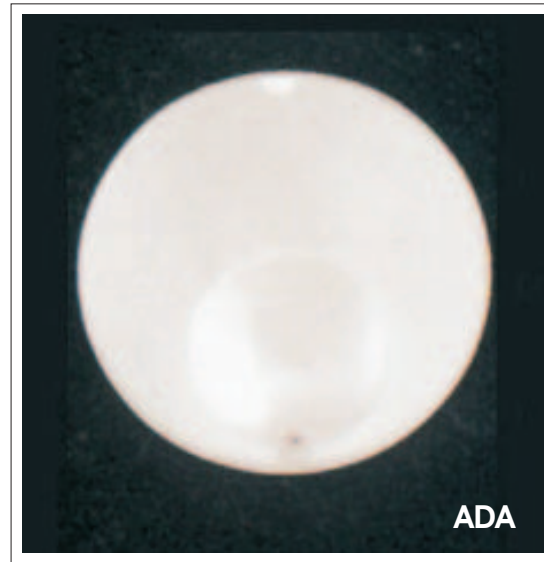
CATEGORY: Wall Sconce

DIFFUSER: White - White Glass

FINISH: White

LAMP TYPE: Halogen G9

MAX WATT: 1 x 75W



DIMENSIONS: W. 8 5/8" x Ht. 8 5/8" x Ext. 3 1/8"

APPROVALS: Approved by CSA for  
North American Standards.

NOTES: