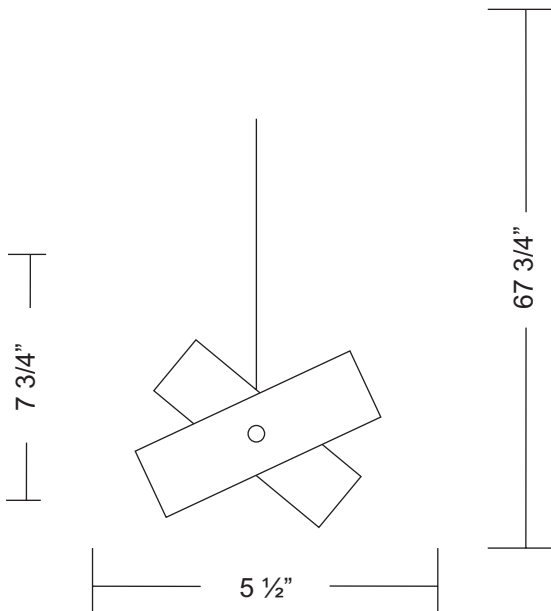


**TOURBILLON PENDANT**



Dimensions



STANDARD: COMES WITH 5 FEET OF WIRE AND AIRCRAFT CABLE

**Project Name:** \_\_\_\_\_

**Fixture Type:** \_\_\_\_\_

**Product Code: D8-1101**

**Style:** Pendant

**Diffuser:** White & Black Blown Glass

**Finish:** Nickel

**Lamp:** 1 x 60W Halogen G9

**Voltage:** N/A

**Dimensions:** Dia. 5 1/2" x Ht. 7 3/4" x L. 67 3/4"

**Approval:** Approved by  for North American Standards..

**Notes:** \_\_\_\_\_