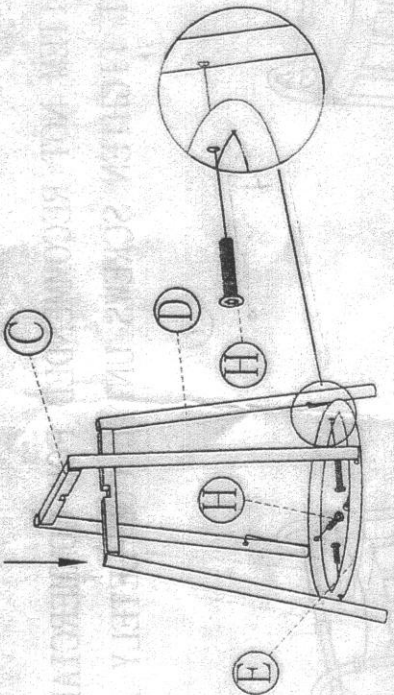
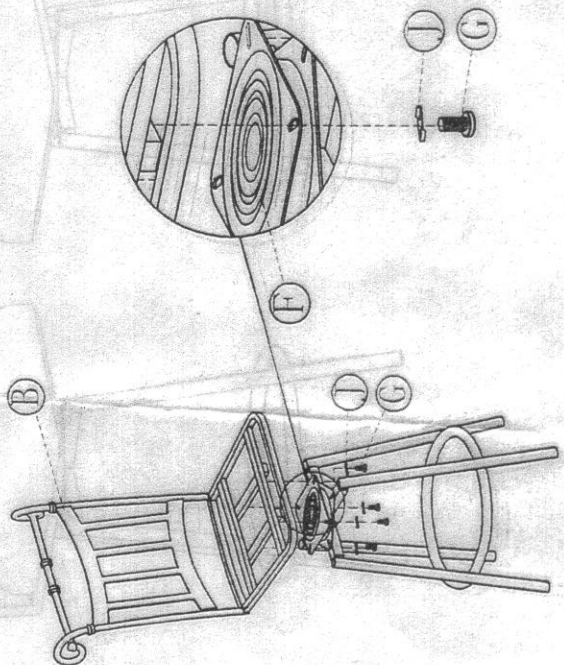


# PROCEDURE IN BAR CHAIR ASSEMBLE:

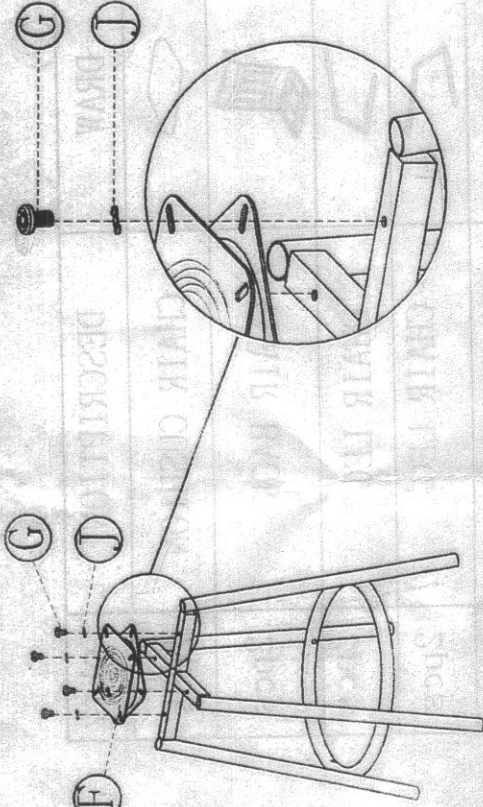
1: TAKE CHAIR RING (E) BETWEEN CHAIR LEG (C) AND CHAIR LEG' (D), THEN USE 4PCS SCREW (H) TO CONNECT THE RING (E) WITH CHAIR LEGS (C&D).



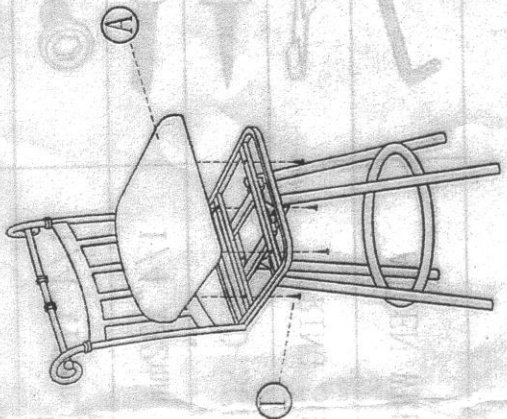
2: USE 4PCS SCREWS (G) AND 4PCS SPRING SHIM (J) TO FIX CHAIR BACK (B) ON CHAIR FRAME (STEP 2).



STEP 2: USE 4PCS SCREWS (G) AND 4PCS SPRING SHIM (J) TO FIX SWIVEL PLATE (F) ON CHAIR FRAME (STEP 1).



STEP 4: USE 4PCS WOOD SCREWS (I) TO FIX CHAIR CUSHION (A) ON CHAIR FRAME (STEP 3).



F  
2  
2  
0

020

J G

J G

G J

F

J

A