

INSTALLATION AND SAFETY INSTRUCTIONS

FOR YOUR SAFETY

WARNING: BE SURE THE ELECTRICITY TO THE WIRES YOU ARE WORKING ON IS SHUT OFF; EITHER THE FUSE REMOVED OR THE CIRCUIT BREAKER SET AT OFF.

GENERAL

You do not need any special tools to install this fixture. Be sure to follow the steps in the order given. Read instructions carefully. If you are unclear as to how to proceed, consult a qualified electrician.

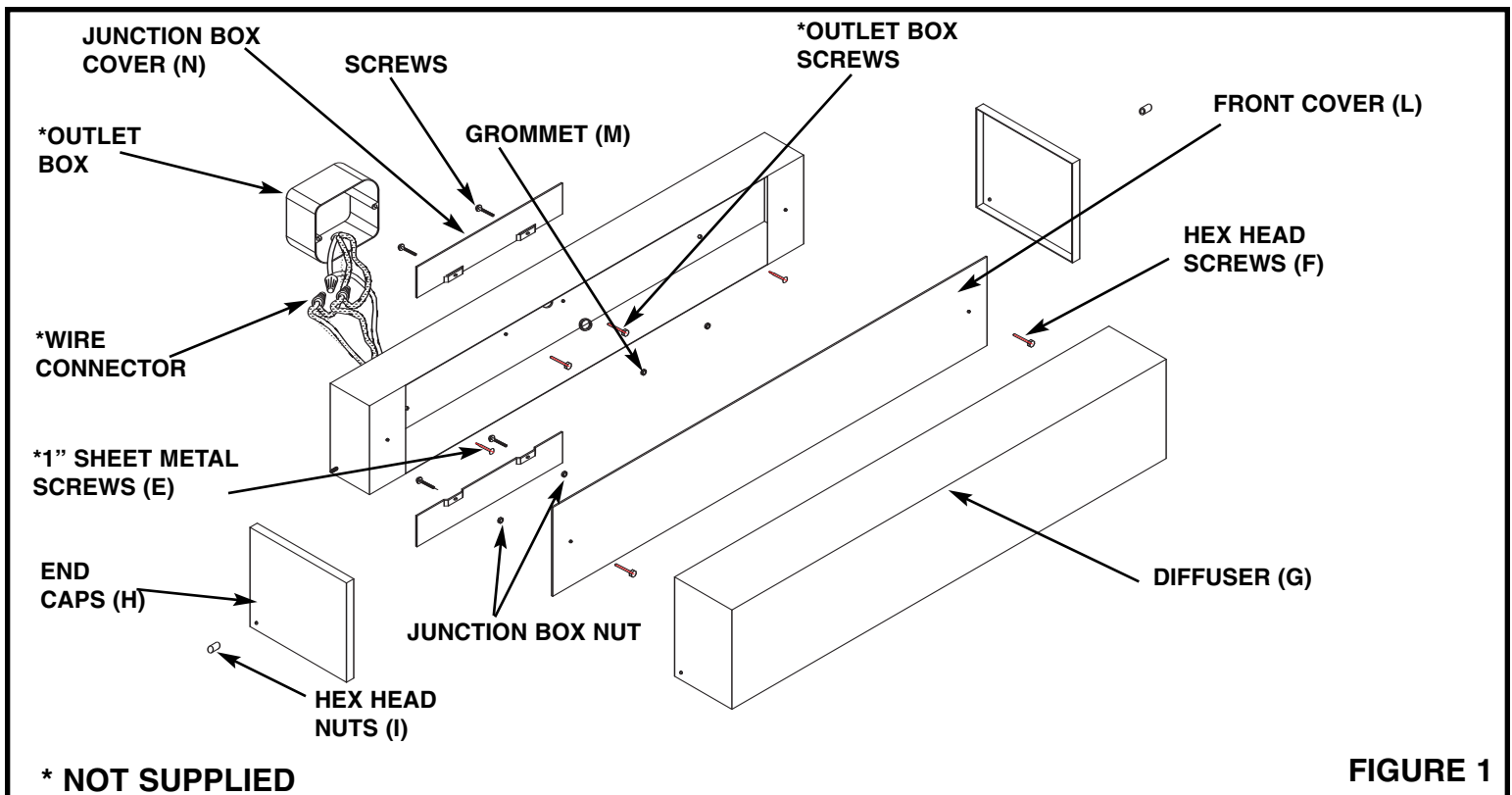
ASSEMBLY

Carefully remove the fixture from the carton and check that all parts are included, as shown in Figure 1. Be careful not to misplace any of the screws or parts which are needed to install this fixture.

IF SUPPLY WIRES ARE LOCATED WITHIN 3" OF BALLAST, USE WIRE RATED FOR AT LEAST 90°C.

WARNING: FOR FIXTURES PROVIDED WITH 75° C OR 90° C SUPPLY WIRE WARNING ONLY (THESE WARNINGS ARE PROVIDED ON THE U.L. LABEL AND ON THE FIXTURE CARTON).

WARNING: RISK OF FIRE. MOST DWELLINGS BUILT BEFORE 1985 HAVE SUPPLY WIRE RATED 60° C. CONSULT A QUALIFIED ELECTRICIAN BEFORE INSTALLING.



Installation And Safety Instruction

HC-975 013007

Line art shown may not exactly match the fixture enclosed. However, the installation instructions do apply to this fixture.

Fill In Item Number On Carton And

File This Sheet For Fixture Reference. ITEM# _____

INSTALLATION**HC-975**

When mounting to a junction box begin with step 1. Otherwise proceed to step 3

STEP 1: (Mounting to a junction box only)

Line up junction box cover (N) with fixture so only the raised screw hole surface actually contacts the fixture. Thread screws through cover and fixture. Tighten with nut.

STEP 2:

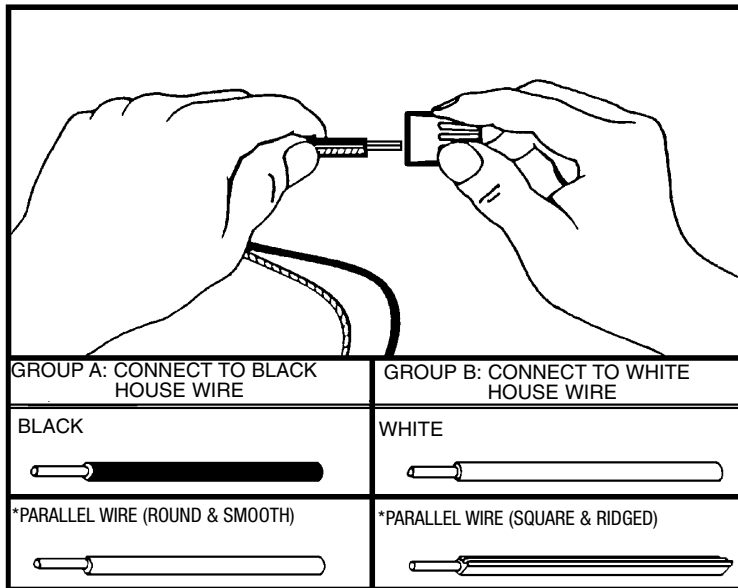
Install grommet (M) in 7/8" wireway knockout in back of fixture. Pass black + white ballast wires through grommet. Proceed to step 4.

STEP 3:

Install romex connector (not included) in 7/8" wireway knockout in back of fixture. Pass black + white ballast wires through romex connector and secure.

STEP 4:

A. Take note of the color of the wire(s) on your fixture. Identify which group your fixture wire(s) falls into and connect the wires according to the directions below:



*Note: When parallel wire is used, the tracer wire is square shaped or ridged and less tracer wire is round in shape or smooth. (Seen best when viewed from wire end.) To separate wires, grasp the ends of each wire and pull apart.

B. Take your fixture wire(s) from group A and place evenly against the black wire from the outlet box. **DO NOT** twist wires together before using wire connectors.

C. Fit a wire connector (not supplied) over the wires and screw the connector clockwise until you feel a firmness.

D. Try gently to pull the connector off the wires. If you can pull the connector off, carefully re-do steps B and C, as above and check again for a firm connection.

E. Connect the fixture wire from group B to the white wire from the outlet box in the same manner.

STEP 4:

GROUNDING INSTRUCTIONS: The green grounding screw is to be inserted into the hole with two raised dimples provided on the mounting bar (D). Wrap the ground wire from the fixture (if supplied) and the ground wire from the outlet box (bare metal or green insulated wire) around the green grounding screw on the mounting bar (D) if uninsulated wire is on the mounting bar (D), connect the ground wire from the fixture (if supplied) and the outlet box to it using a small wire connector (not supplied).

NOTE: Underwriters Laboratories (U.L.) does not require all fixtures to have ground wires. These fixtures still meet all U.L. specifications. The listing mark of Underwriters on the product identifies products manufactured under its listing and Follow-Up Service Programs.

NEVER CONNECT GROUND WIRE TO BLACK OR WHITE POWER SUPPLY WIRES.

FINAL ASSEMBLY

Make sure no bare wires can be seen outside wire connectors.

STEP 1:

After wires are connected, tuck them carefully inside outlet box. Push the fixture (D) firmly over outlet box and against the wall. Secure in place with outlet box screws (not supplied). Use 1" sheet metal screws (E) or toggle bolts (not included) to secure fixture to wall. Attach front cover (L) to the fixture body using two hex head sheet metal screws (F).

NOTE: IF MOUNTING TO DRYWALL USE ENCLOSED DRY WALL ANCHORS.

STEP 2:

Install lamps.

STEP 3:

Remove protective film from diffuser (G) (if applicable).

STEP 4:

Place diffuser (G) over fixture body and secure both end caps (H) in place with two (2) hex head nuts (I).

NOTE: IN ORDER FOR THIS LIGHTING FIXTURE TO OPERATE PROPERLY, THE BUILDING'S ELECTRICAL SYSTEM **MUST BE GROUNDED**. IF YOU ARE UNCLEAR ON HOW TO PROCEED, CONSULT A QUALIFIED ELECTRICIAN.

CLEANING

To clean, wipe fixture body with a soft cloth. Clean glass with a mild soap. Do not use abrasive materials such as scouring pads, powders, steel wool, or abrasive paper.

ORDERING PARTS

Keep this sheet for future reference, and in case you need to order replacement parts. All parts for this fixture can be ordered from place of purchase. Be sure to use exact wording from illustration when ordering parts.