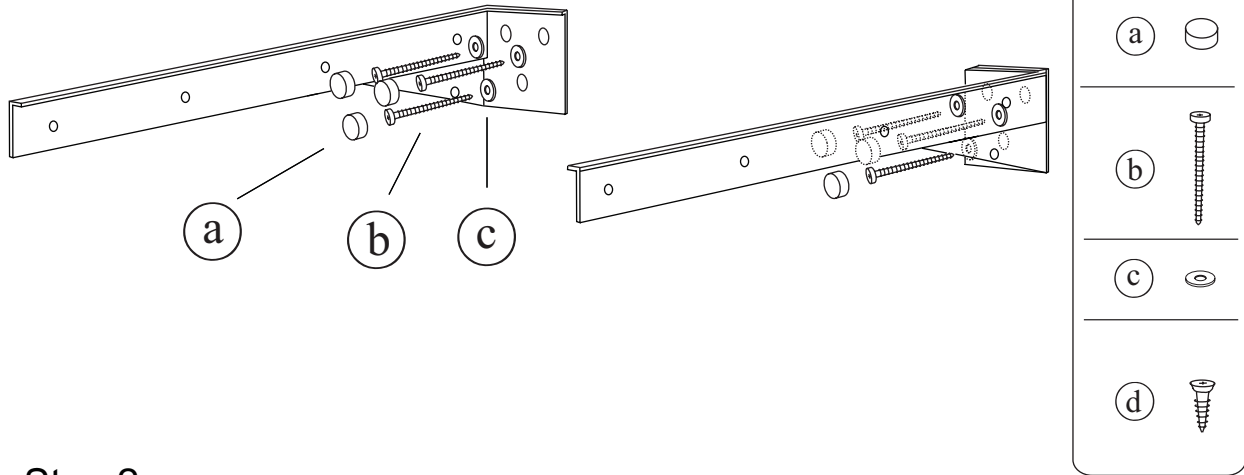


Wall Mounts

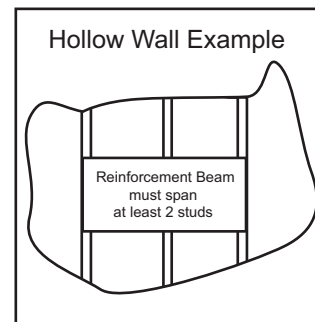
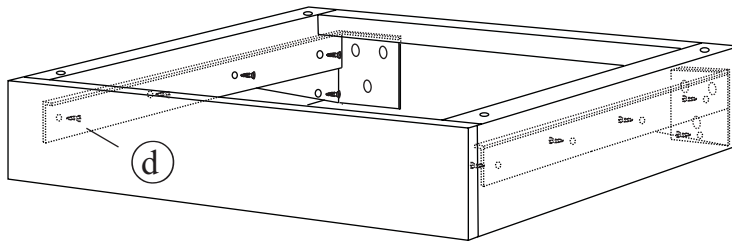
Model: VAD23 & VAD31 & VAD36

Step 1



Step 2

Attach the cabinet to the wall bracket.



Note:

When installing cabinet onto a hollow wall, the use of a horizontal reinforcement beam such as a 2" x 8" or 2" x 10" spanning at least two vertical studs is required.

Cabinets that are installed onto a hollow wall without a reinforcement beam will void the manufacturer warranty.