

Ceramic Lavatory Top

Ceramic white molded rectangular lavatory sink top with overflow

Model: **CB6002 & CB6003**

Codes/Standards Applicable

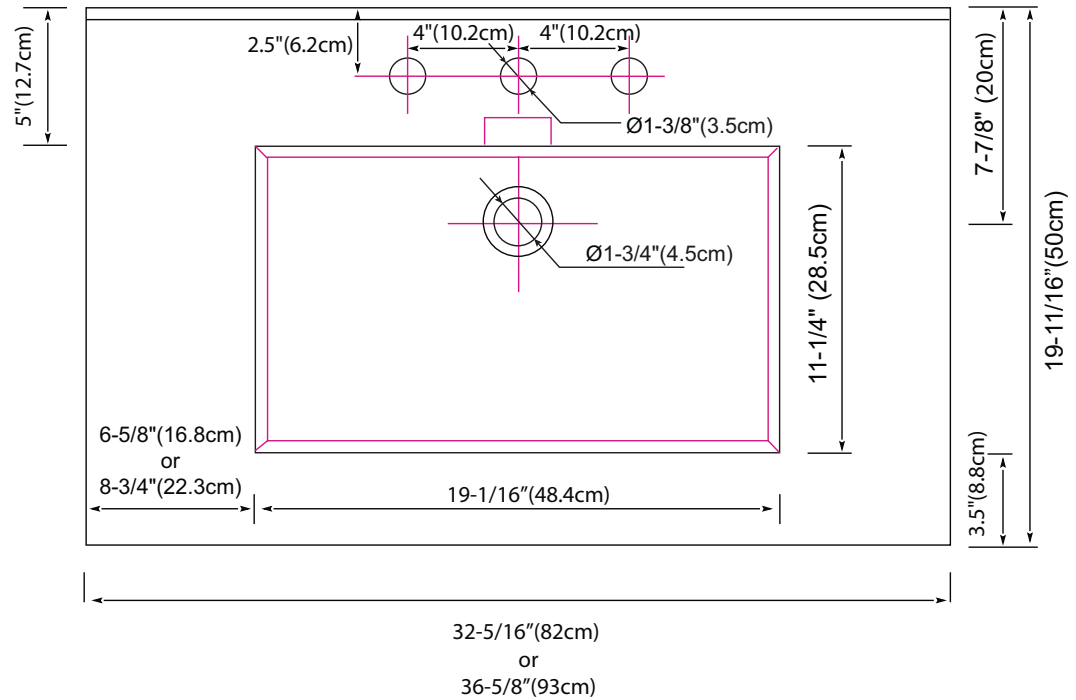
Specified model meets or exceeds the following:

- ASME A112.19.2
- IAPMO/cUPC®
- CSA B45
- CMR 248
- ADA

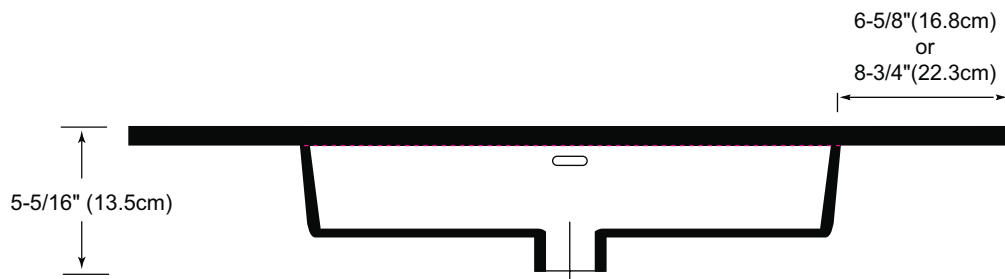
ADA



Top View



Front View



Side View

