

# Harley Davidson® Girl's Roaring Softail® Rocker



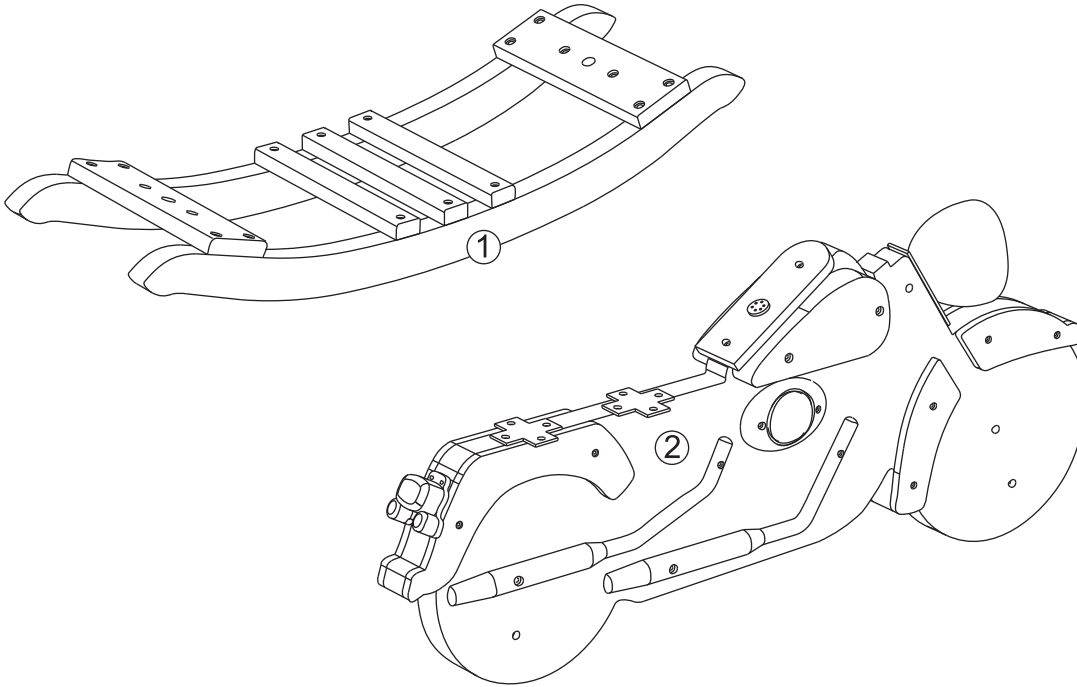
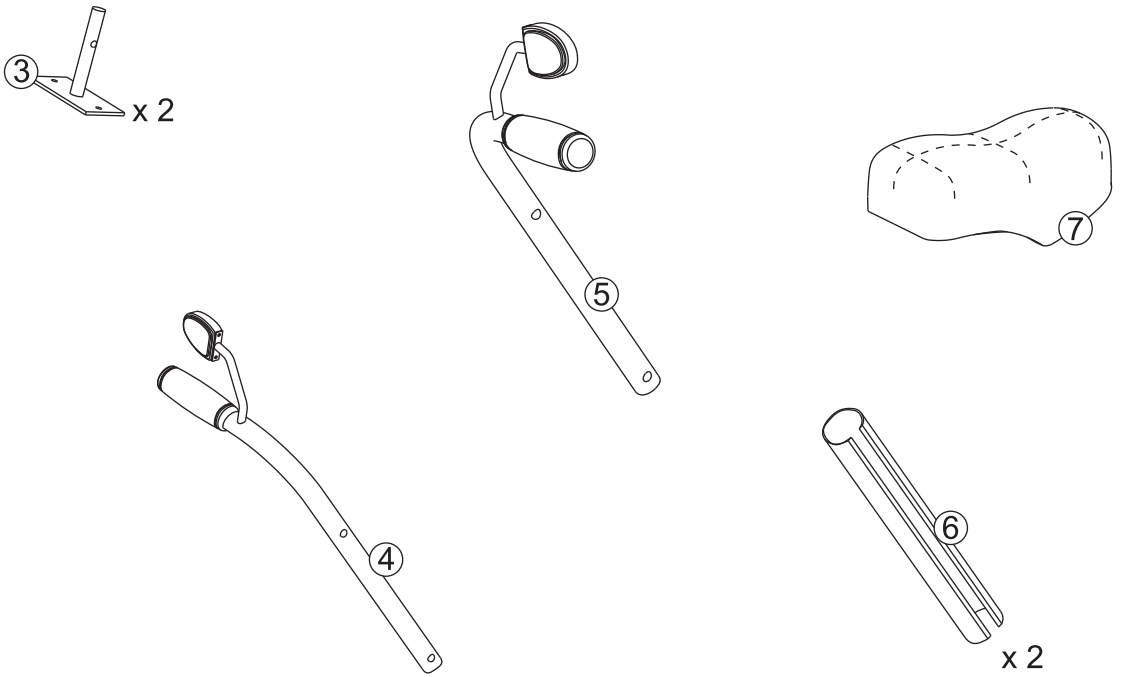


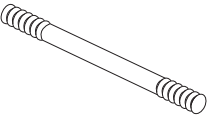
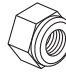
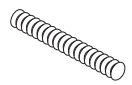





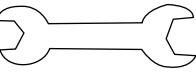

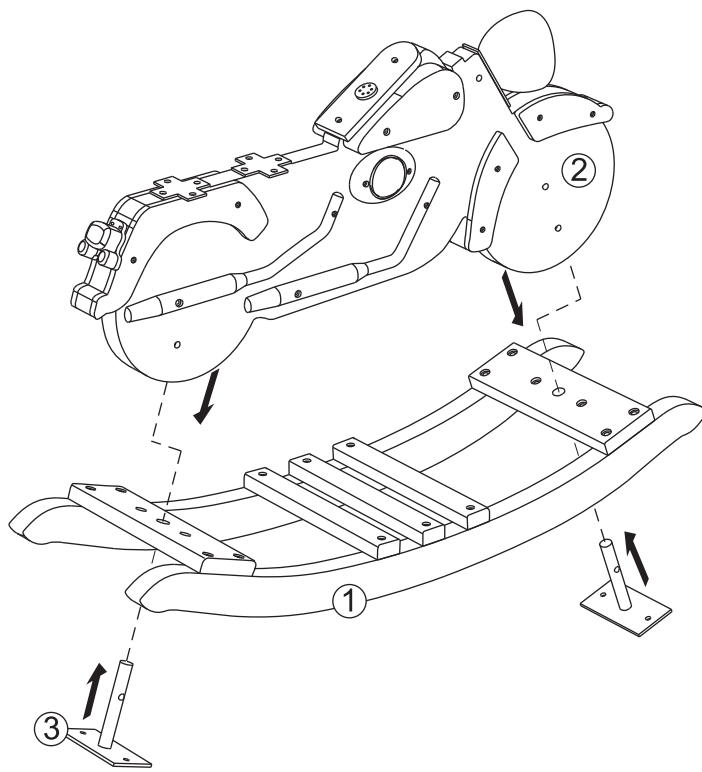
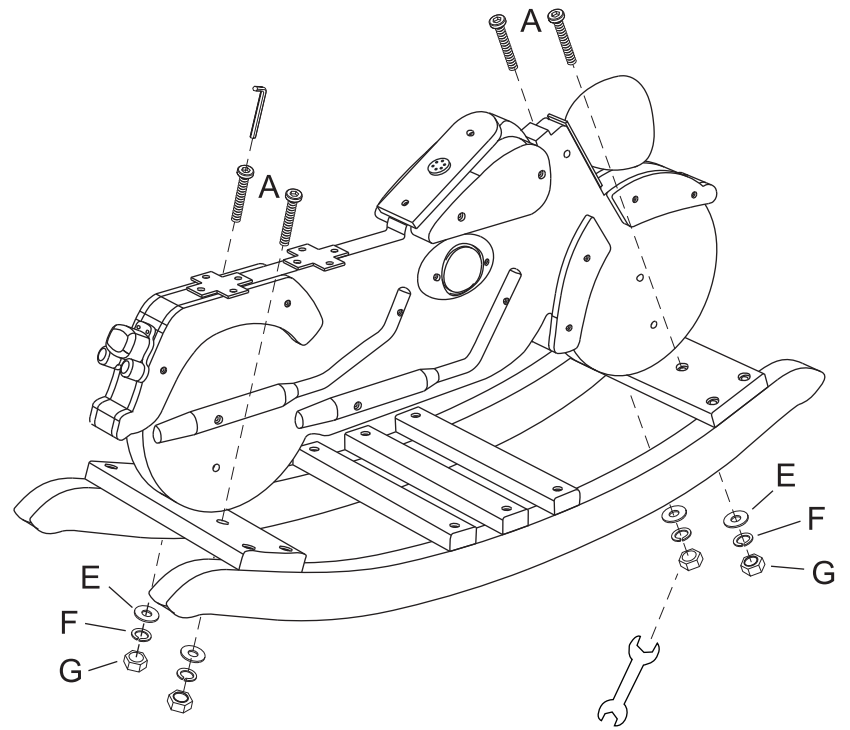
## Assembly Instructions

© 2009 KidKraft, LP

Item #10012

Please retain this information for future reference

To order replacement parts, please visit [www.kidkraft.com](http://www.kidkraft.com)

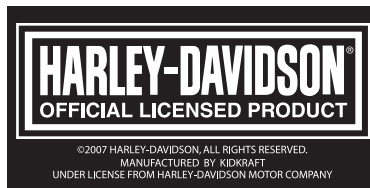
HARDWARE		PARTS LIST	
<p><b>A. Cross Dowel Bolt x 4 pcs</b></p>  <p>(1 1/8 in / 30 mm)</p>	<p><b>G. Nut x 4 pcs</b></p> 		
<p><b>B. Cross Dowel Bolt x 4 pcs</b></p>  <p>(3/4 in / 18 mm)</p>	<p><b>H. Cap Nut x 4 pcs</b></p> 		
<p><b>C. Two - Side Threaded Rod x 2 pcs</b></p>  <p>(3 5/8 in / 92 mm)</p>	<p><b>I. Nylon Lock Nut x 4 pcs</b></p> 		
<p><b>D. Short Threaded Rod x 2 pcs</b></p>  <p>(2 1/4 in / 56 mm)</p>	<p><b>J. Large Washer x 4 pcs</b></p> 		
<p><b>E. Washer x 8 pcs</b></p> 	<p><b>K. Large Lock Washer x 4 pcs</b></p> 		
<p><b>F. Lock Washer x 8 pcs</b></p> 	<p>Allen Wrench x 1 pc</p> 		
	<p>Wrench x 2 pcs</p> 		
	<p>The following tool (not included) is required for assembly:</p> 		
	<p>Phillips® screwdriver</p>		
<p><b>Step 1</b></p> 		<p><b>Step 2</b></p> 	

**CAUTION:** ADULT ASSEMBLY REQUIRED. Hardware contains small screws with sharp points. Keep unassembled parts out of the reach of small children.

**USE AND MAINTENANCE:**  
 -Use on level surfaces only  
 -Please check assembly at regular intervals, and frequently tighten hardware if necessary. If maintenance is not carried out, the product could cease to function properly.

**WARNING:** CHOKING HAZARD. Small parts and sharp points, not suitable for children under 3 years.

**Customer Service**  
 1-800-933-0771  
[www.kidkraft.com](http://www.kidkraft.com)

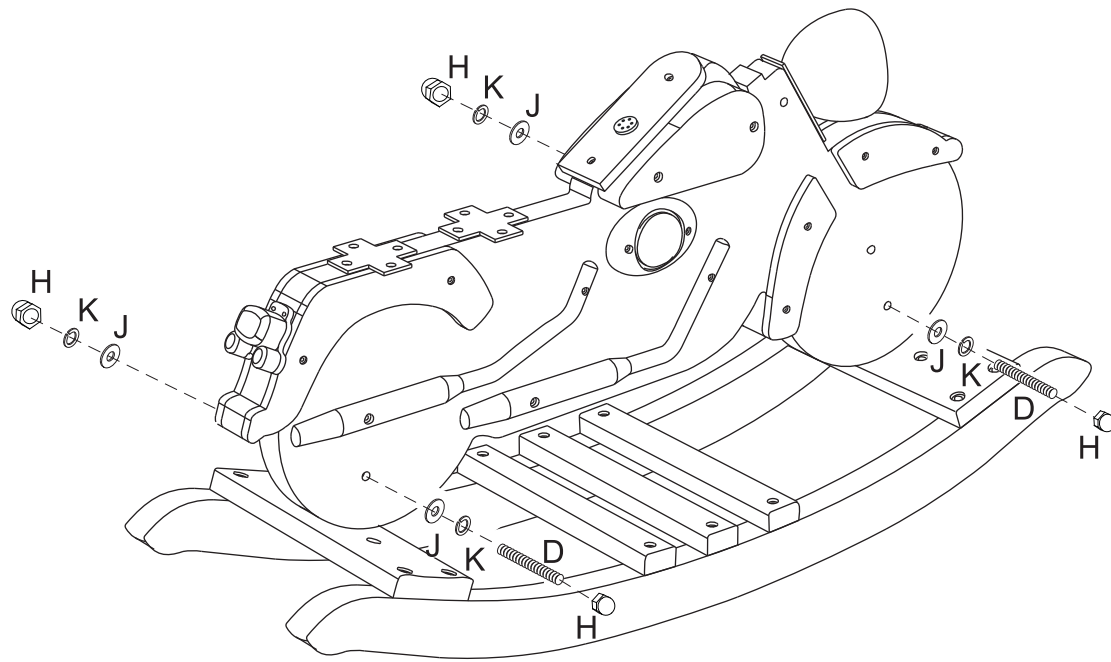


# Harley Davidson® Girl's Roaring Softail® Rocker Assembly Instructions

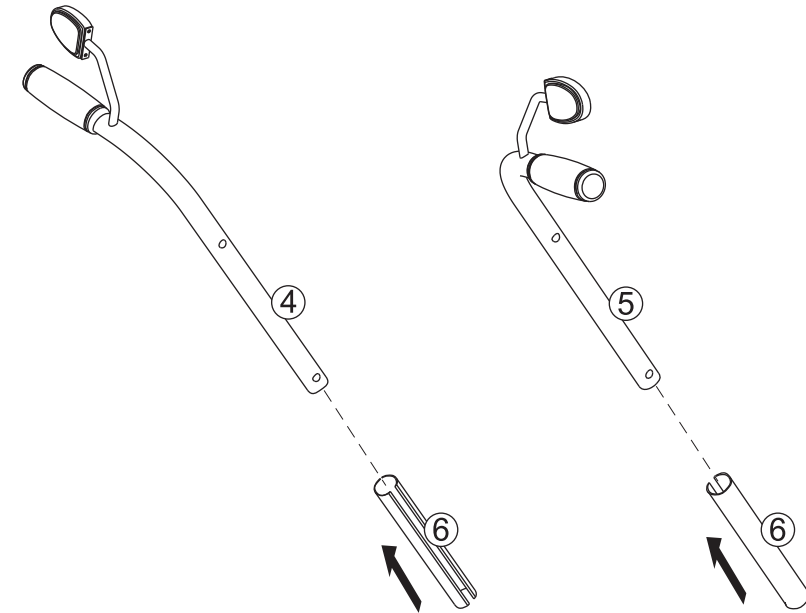
© 2009 KidKraft, LP

Item #10012

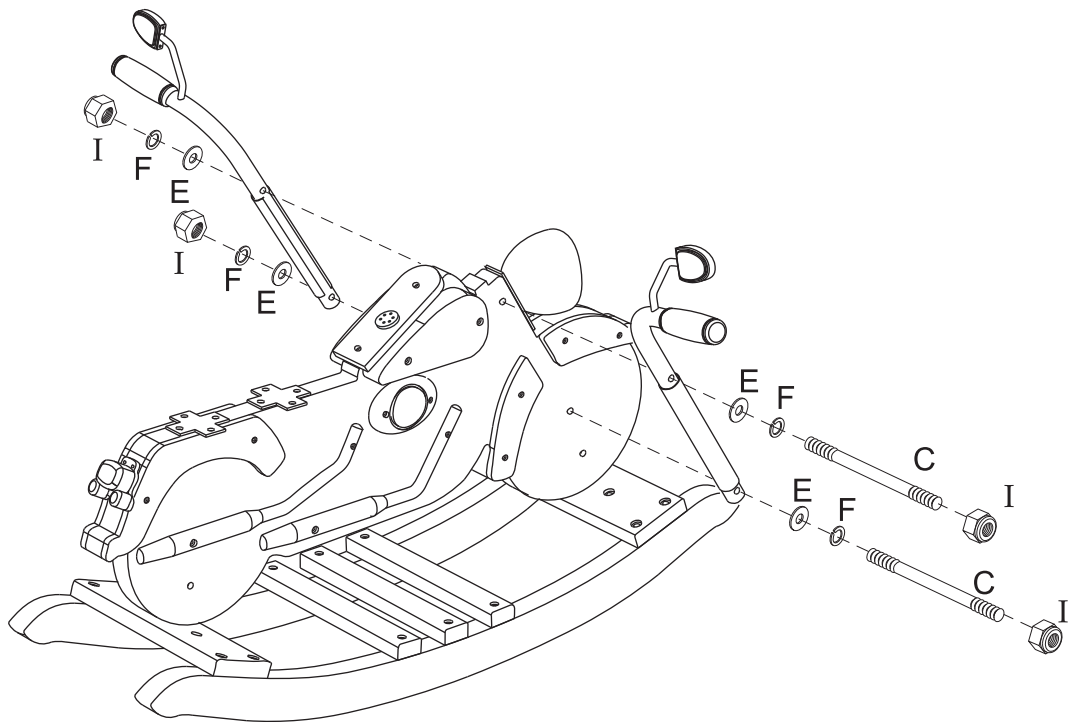
### Step 3



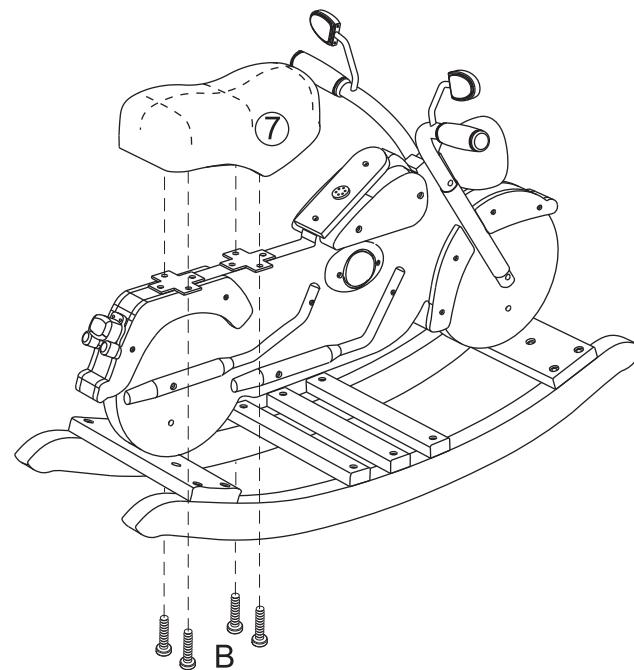
### Step 4



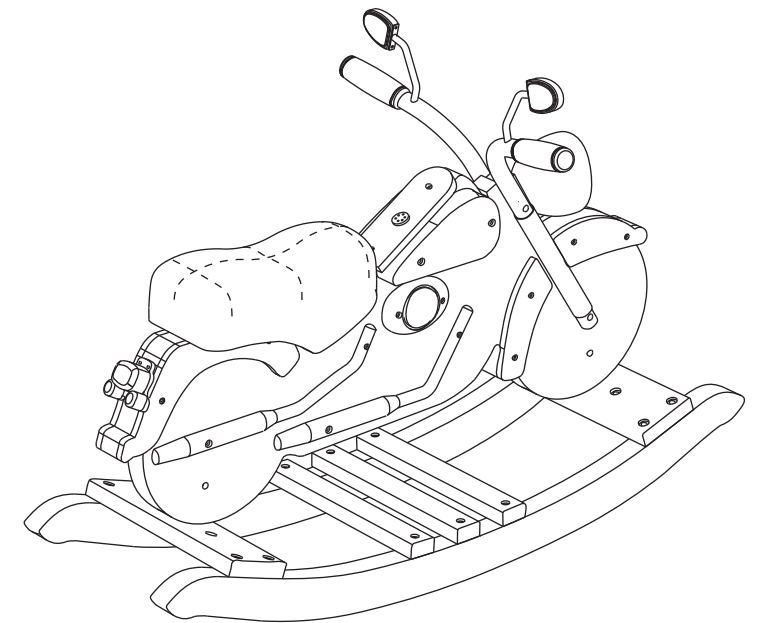
### Step 5



### Step 6



### Complete

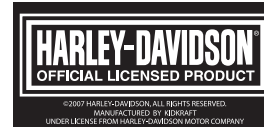


Before calling customer service, please locate the batch code number (example: 2693/65006/04) found on the bottom or back of your product.

**Customer Service**  
1-800-933-0771  
[www.kidkraft.com](http://www.kidkraft.com)



# Harley Davidson® Girl's Roaring Softail® Rocker



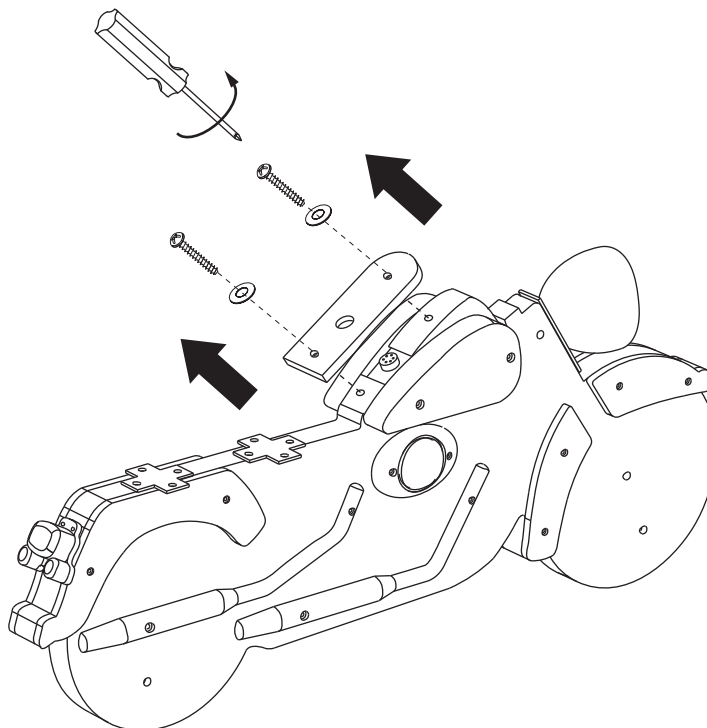
## Sound Battery Replacement Instructions

Item #10012

© 2009 KidKraft, LP

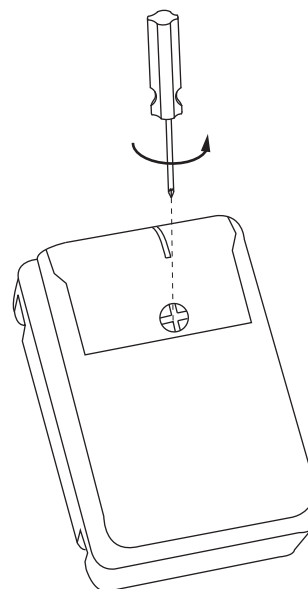
### Step 1

- Unscrew casing and remove.
- Remove sound box.



### Step 2

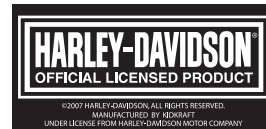
- Locate the battery compartment underneath the sound box.
- Use a screwdriver to remove cover.



Customer Service  
1-800-933-0771  
[www.kidkraft.com](http://www.kidkraft.com)



# Harley Davidson® Girl's Roaring Softail® Rocker Sound Battery Replacement Instructions

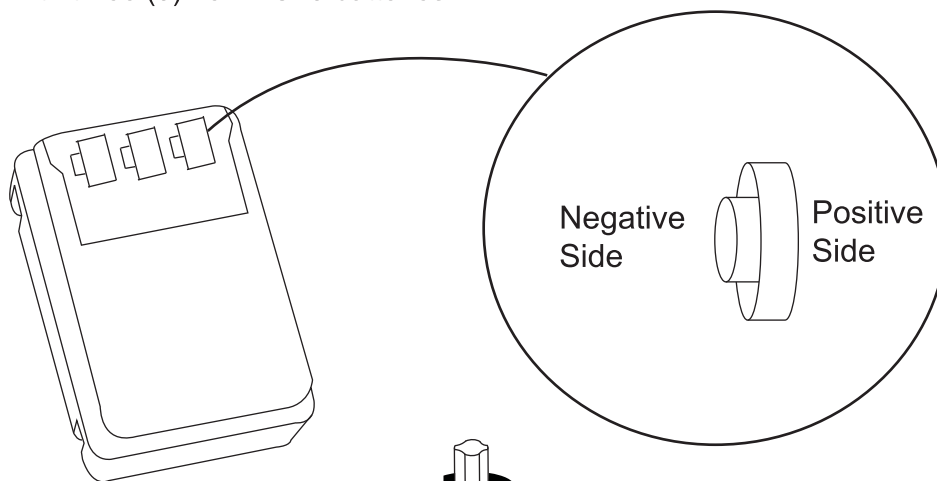


© 2009 KidKraft, LP

Item #10012

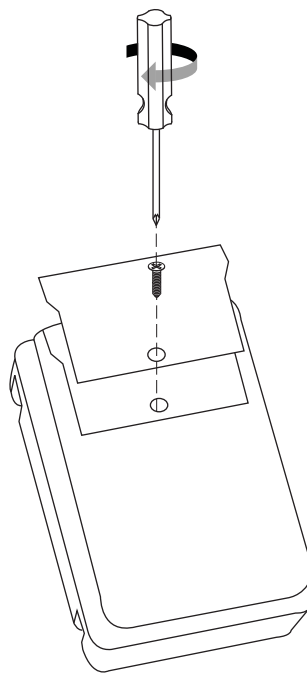
## Step 3

-Replace old batteries with three (3) new AG13 batteries.



## Step 4

-Screw the cover back into place with the screwdriver.



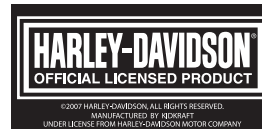
## Battery Tips:

- Batteries should always be installed and changed under adult supervision.
- Non-Rechargeable batteries are not to be recharged.
- Rechargeable batteries are only to be charged under adult supervision.
- Only batteries of the same equivalent type as recommended are to be used.
- Batteries are to be inserted with the correct polarity.
- Exhausted batteries are to be removed from the toy and disposed of properly.
- The supply terminals are not to be short circuited.
- Different types of batteries or new and used batteries are not to be mixed.
- DO NOT mix alkaline, standard (carbon-zinc) or rechargeable batteries.

**Customer Service**  
**1-800-933-0771**  
**www.kidkraft.com**



# Harley Davidson® Girl's Roaring Softail® Rocker



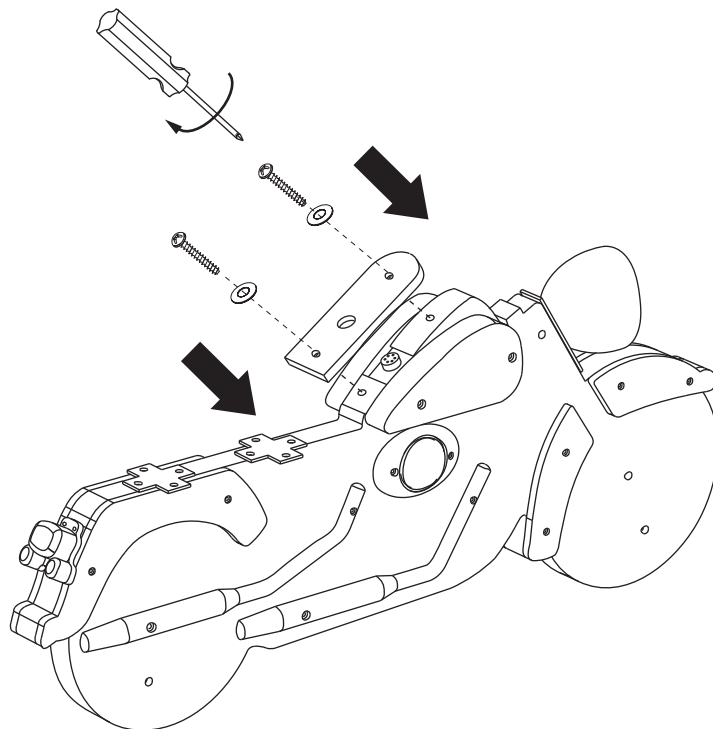
## Sound Battery Replacement Instructions

Item #10012

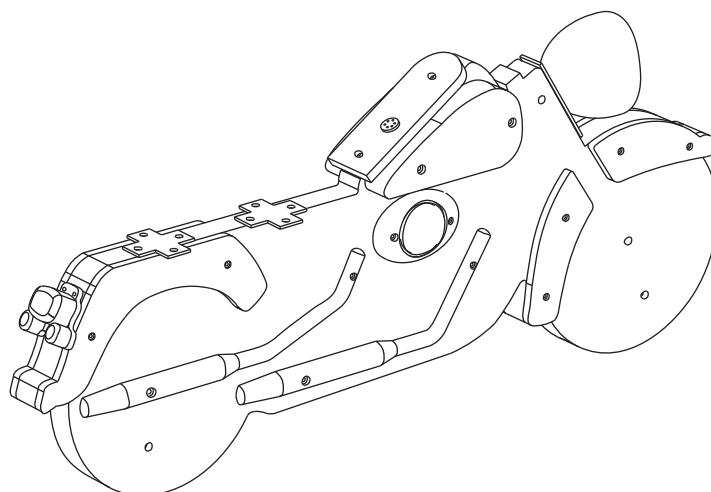
© 2009 KidKraft, LP

### Step 5

- Place sound box back inside the compartment.
- Place cover back on the bike and screw back on.



**Complete**



**Customer Service**  
**1-800-933-0771**  
**www.kidkraft.com**



## **IMPORTANT INFORMATION - PLEASE READ FIRST**

ALL OF OUR WOODEN ITEMS ARE HANDCRAFTED, HAND ASSEMBLED, AND HAND PAINTED. EACH ONE IS UNIQUE. SLIGHT IMPERFECTIONS MAY OCCUR AND ARE NOT MANUFACTURING DEFECTS.

PLEASE NOTE THAT WE DO NOT WARRANTY AGAINST THE USE OF PERMANENT MARKERS, NON-WATER-BASED PAINTS, CRAYONS, OR WASHABLE MARKERS. SOME OF THESE ITEMS CONTAIN PERMANENT COLOR DYES THAT COULD DAMAGE THE SURFACE.

## **CLEANING INSTRUCTIONS**

CLEAN THE SURFACE USING A SLIGHTLY DAMP CLOTH AND MILD DISH WASHING LIQUID IF NECESSARY. DO NOT USE ANY CLEANING PRODUCT CONTAINING ALCOHOL OR AMMONIA. THESE WILL DULL THE SHINY SURFACE OF THE PRODUCT. FURNITURE POLISH WILL ALSO WORK TO CLEAN AND DUST OFF THE SURFACE.

WE RECOMMEND THAT YOU TEST ALL CLEANING MATERIALS ON THE UNDERSIDE OF ANY SURFACE THAT WOULD NOT BE SEEN DURING NORMAL USE OF THE PRODUCT. IF YOU HAVE QUESTIONS REGARDING THE MAINTENANCE OF THIS PRODUCT PLEASE FEEL FREE TO CALL US.

## **SOLE AND LIMITED WARRANTY**

THIS TOY IS WARRANTED SOLELY AGAINST MANUFACTURING DEFECTS FOR A PERIOD OF 90 DAYS FROM THE DATE OF PURCHASE, WHICH RUNS ONLY TO THE ORIGINAL USER OF THE PRODUCT. IN THE EVENT OF A MANUFACTURING DEFECT, PARTS WILL BE REPLACED OR THE ENTIRE PRODUCT WILL BE REPLACED OR THE PURCHASE PRICE WILL BE REFUNDED, AT THE ELECTION OF THE MANUFACTURER. TO ACTIVATE AND PROTECT THIS WARRANTY, PRESERVE EVIDENCE OF ORIGINAL PURCHASE AND CAREFULLY INSPECT THE CONDITION OF THIS ARTWORK. SHOULD YOU OBSERVE ANY DEFECTS, DO NOT USE THE TOY AND IMMEDIATELY NOTIFY THE MANUFACTURER. FAILURE TO DO SO SHALL CONSTITUTE MISUSE. MISUSE, IMPROPER ASSEMBLY, FAILURE TO HONOR A WARNING, FAILURE TO SUPERVISE, INSPECT OR MAINTAIN THE TOY, OR DAMAGE TO THE TOY, WHETHER INTENTIONAL OR INADVERTENT, SHALL INVALIDATE THIS WARRANTY. THIS WARRANTY GIVES YOU SPECIFIC LEGAL RIGHTS, AND YOU MAY ALSO HAVE OTHER RIGHTS WHICH VARY FROM STATE TO STATE.

TO SUBMIT A WARRANTY CLAIM PLEASE CONTACT KIDKRAFT CUSTOMER SERVICE AT 1-800-933-0771 FOR INSTRUCTIONS ON HOW TO PROVIDE PROOF OF PURCHASE AND HOW TO RETURN THE ITEM FREIGHT PRE-PAID.

**CUSTOMER SERVICE 1-800-933-0771**

**[www.kidkraft.com](http://www.kidkraft.com)**