

MODEL: 50199WG

## ASSEMBLY INSTRUCTIONS

READ AND SAVE THESE INSTRUCTIONS

READ INSTRUCTIONS ALL THE WAY THROUGH PRIOR TO ASSEMBLY.

THIS FOUNTAIN SHOULD TAKE APPROXIMATELY 10 MINUTES TO ASSEMBLE.

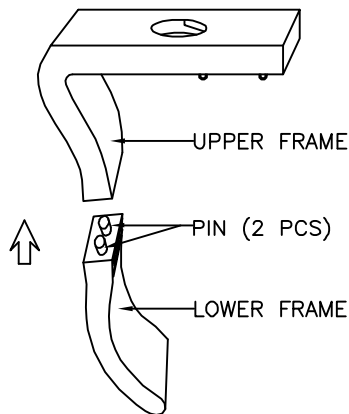
MAKE SURE ALL PARTS ARE FIRMLY TIGHTENED.

### UNPACK THE FOUNTAIN

YOU SHOULD HAVE RECEIVED THE FOLLOWING PARTS: LID, RESERVOIR, UPPER FRAME, LOWER FRAME, PUMP, A BAG OF RIVER STONES, (2) PLASTIC ANCHORS AND (2) WOOD SCREWS.

### FOUNTAIN ASSEMBLY

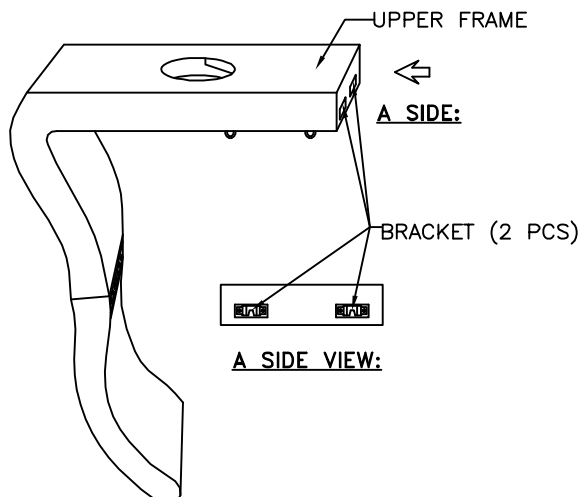
1. INSERT (2) PINS OF LOWER FRAME INTO THE HOLES IN UPPER FRAME.



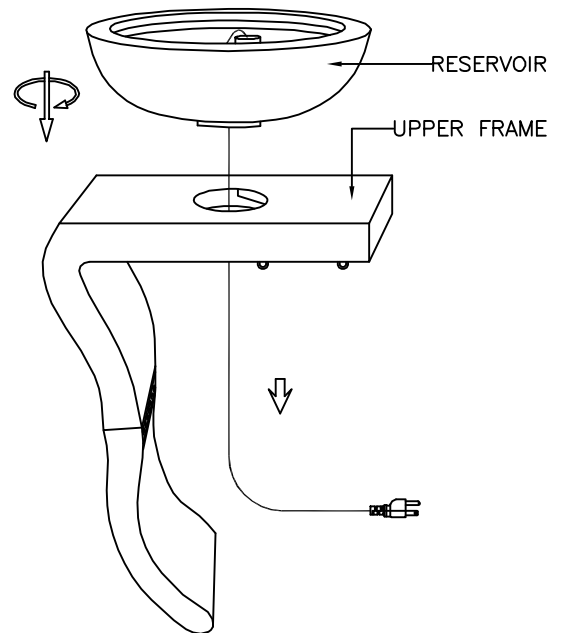
2. POSITION UPPER FRAME ON THE WALL AT DESIRED LOCATION AND MARK THE PLACE FOR THE PLASTIC ANCHORS TO BE INSTALLED.

3. DRILL (2) PILOT HOLES ON THE MARKED SPOTS AND INSERT PLASTIC ANCHORS, THEN SCREW (2) WOOD SCREWS INTO PLASTIC ANCHORS.

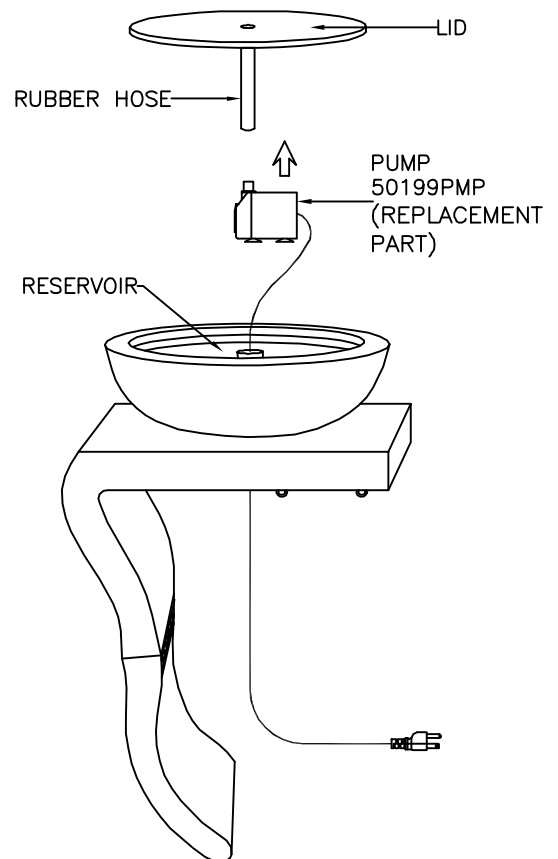
4. SECURE THE FRAMES TO WALL BY ATTACHING BRACKETS TO WOOD SCREWS.



5. PLACE RESERVOIR ONTO TOP OF UPPER FRAME AND TWIST THE RESERVOIR CLOCKWISE TO SECURE.



6. ATTACH PUMP TO RUBBER HOSE, THEN PLACE LID INTO RESERVOIR.



MODEL: 50199WG

## ASSEMBLY INSTRUCTIONS

READ AND SAVE THESE INSTRUCTIONS

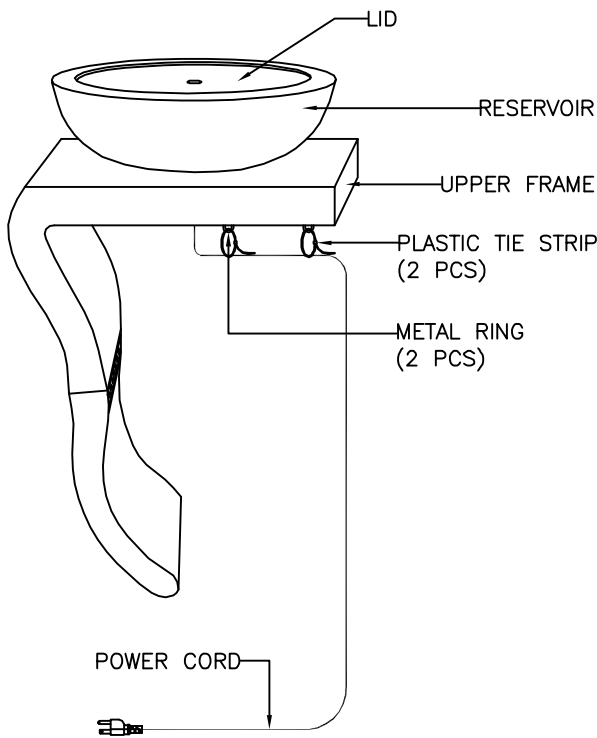
### FOUNTAIN ASSEMBLY

7. FILL RESERVOIR WITH 1.3 GALLONS OF WATER TO COMPLETELY SUBMERSE THE PUMP.

**NOTE:** DISTILLED WATER IS RECOMMENDED TO REDUCE MINERAL DEPOSITS AND BACTERIA BUILD-UP.

8. TEST WATER RUNNING, ADJUST THE WATER VALVE ON PUMP IF NEEDED.

9. SECURE POWER CORD TO THE METAL RINGS ON UPPER FRAME WITH (2) PLASTIC TIE STRIPS.



10. PLACE DECORATIVE RIVER STONES ONTO TOP OF LID.

11. PLUG POWER CORD INTO OUTLET, YOUR NEW FOUNTAIN IS READY FOR USE.

### TROUBLE SHOOTING:

1. IF YOUR FOUNTAIN DOES NOT WORK, CHECK PLUG AT THE SOCKET. MAKE SURE THE PLUG IS FULLY AND PROPERLY INSERTED INTO THE WALL OUTLET.

2. NEXT CHECK TO MAKE SURE THE OUTLET IS POWERED.

3. IF THE FOUNTAIN STILL DOES NOT WORK, PLEASE CONTACT YOUR DISTRIBUTOR OR PLACE OF PURCHASE.

### SPLASHING DISCLAIMER:

SPLASHING MAY OCCUR WHEN FOUNTAIN IS INITIALLY TURNED ON. PROTECT SURROUNDING SURFACES AS NEEDED.

### IMPORTANT PUMP INFORMATION:

PUMP MUST BE FULLY SUBMERSED IN WATER WHILE OPERATING.

### WATER:

TO REDUCE MINERAL DEPOSITS AND BACTERIA BUILD UP THE USE OF DISTILLED WATER IS RECOMMENDED.

### WARNING:

\* ONCE A WEEK INSPECT FOUNTAIN, FLOOR AND ADJACENT WALL FOR MOISTURE BUILD-UP AND CLEAN AS NECESSARY. THIS IS ESPECIALLY IMPORTANT FOR HUMID ENVIRONMENTS.

\*\* THIS FOUNTAIN IS RATED FOR OUTDOOR USE.

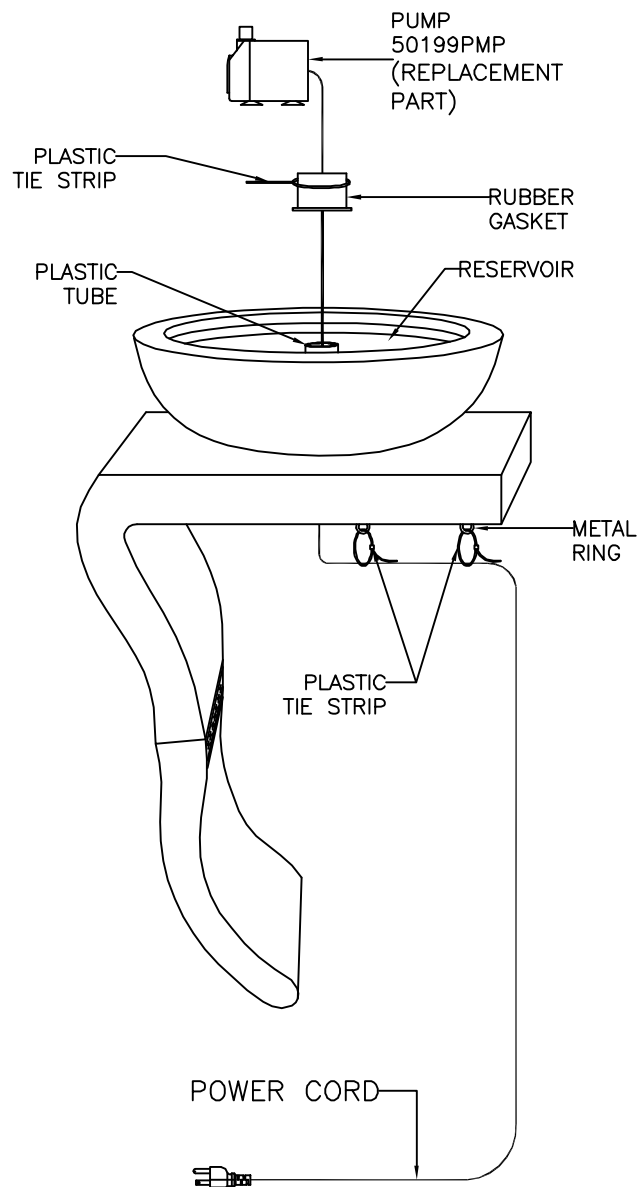
\*\*\* THIS UNIT MUST BE CONNECTED TO A SUPPLY CIRCUIT THAT IS PROTECTED BY A GROUND FAULT CIRCUIT INTERRUPTER (GFCI). THE GFCI SHOULD BE TESTED ON A ROUTINE BASIS. TO TEST THE GFCI, PUSH THE TEST BUTTON. THE GFCI SHOULD INTERRUPT POWER. PUSH THE RESET BUTTON. POWER SHOULD BE RESTORED. IF THE GFCI FAILS TO OPERATE IN THIS MANNER, THE GFCI IS DEFECTIVE.

\*\*\*\* THE FOUNTAIN IS FOR FLOOR USE ONLY, WALL BRACKET IS FOR ADDED STABILITY. FOUNTAIN MUST MAINTAIN CONTACT WITH LEVEL FLOOR OPERATE PROPERLY.

AVAILABLE PART IS:  
50199PMP (PUMP)

MODEL: 50199WG  
**ASSEMBLY INSTRUCTIONS**  
READ AND SAVE THESE INSTRUCTIONS

PUMP REPLACEMENT:



PUMP REPLACEMENT:

1. UNPLUG THE FOUNTAIN.
2. DISASSEMBLE THE FOUNTAIN AS NECESSARY TO EXPOSE RESERVOIR.
3. REMOVE ALL WATER FROM RESERVOIR.
4. SNIP (3) PLASTIC TIE STRIPS.
5. PEEL BACK RUBBER GASKET FROM PLASTIC TUBE.
6. PULL OUT OLD PUMP FROM FOUNTAIN.
7. THREAD CORD FOR NEW PUMP THROUGH PLASTIC TUBE.
8. PLACE RUBBER GASKET OVER PLASTIC TUBE AND SECURE BY TIGHTENING A NEW PLASTIC TIE STRIP.
9. SECURE POWER CORD TO THE METAL RINGS ON UPPER FARMER WITH (2) NEW PLASTIC TIE STRIPS.
10. REASSEMBLE THE FOUNTAIN WITH NEW PUMP.

**AVAILABLE PARTS ARE:**

PUMP1031 (PUMP)  
TRANS2002 (TRANSFORMER)  
BULB3010 (LED LIGHT)  
SPRAYER-MUSHRM (SPRAYER)