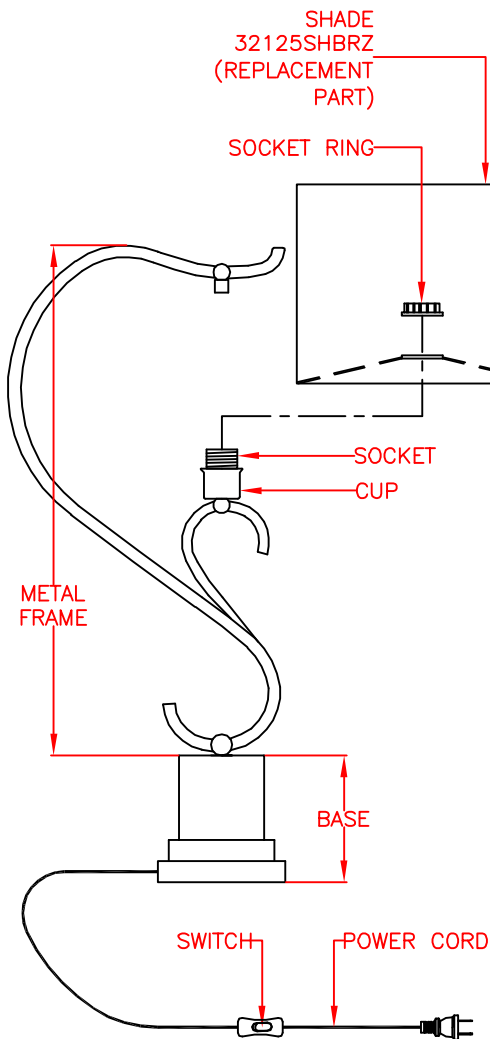


PRODUCT SPECIFICATIONS



AVAILABLE PART IS:
32125SHBRZ (SHADE)

OVERALL ASSEMBLED DIMENSIONS

HEIGHT: 77.5 CM (30-1/2"), WIDTH: 40.6 CM (16"),
EXTENSION: 35.6 CM (14").

1 LIGHT: UL LISTED, 150 WATT, MEDIUM BASE E-26 ALUMINIUM
SOCKET, ON/OFF ROCKER LINE SWITCH.

SHADE: OFF-WHITE DRUM SHADE, 35.6 CM (14") DIA. x 22.9 CM (9")
HEIGHT. THE SHADE FABRIC CONTENT: 30% COTTON AND 70%
TERYLENE.

CUP: PAINTED STEEL, 5 CM (2") DIA. x 3.6 CM (1-7/16") HEIGHT.

METAL FRAME: PAINTED STEEL, 1.6 CM (5/8") DIA. TUBING, 33 CM
(13") WIDTH x 61.5 CM (24-3/16") HEIGHT, SHAPED AS SHOWN.

BASE: PAINTED RESIN, 15.4 CM (6") SQ. x 14.6 CM (5-3/4") HEIGHT.
FELT PAD INSTALLED ON BOTTOM OF BASE.

CORD: UL LISTED, MIN 183 CM (6 FT.) LENGTH, 18 AWG., 2
CONDUCTORS, 105°C, TYPE SPT-2, SILVER/CLEAR COLOR. WIRES MUST
BE LEAD FREE.

LABELS: UL AND CSA OR CUL, MANUFACTURING DATE, MODEL # AND
COUNTRY OF ORIGIN LABEL PROVIDED. RELAMPING LABEL FOR 150
WATT MAX. TYPE "A" BULB PROVIDED NEAR SOCKET.

PACKAGING AND SHIPPING DETAILS

THE LAMP IS DISASSEMBLED FOR SHIPPING. EACH PART IS CAREFULLY
WRAPPED IN A PLASTIC BAG AND PLACED SECURELY IN THE INNER
PACKING SO IT CAN NOT MOVE AROUND DURING SHIPPING. A SMALL
BAG OF SILICA IS INCLUDED IN THE PACKAGE.

THE CARTON IS MADE OF DOUBLE WALL, CORRUGATED CARDBOARD "A
MA A". BROWN IN COLOR. THE INNER PACKING IS DIE-CUT CARDBOARD
OR STYROFOAM TO PROTECT AND SECURE THE LAMP AND MUST PASS
THE FEDEX AND ISTA-3A DROP TEST REQUIREMENTS.

EACH CARTON SHALL BE PRINTED WITH A LINE DRAWING AND THE
KENROY HOME NAME AND LOGO, MODEL NUMBER AND FINISH, EACH
CARTON SHALL BE PROVIDED A UPC LABEL. THE UPC BAR CODE AS
FOLLOWS: BRZ=053392115463.

OTHER DETAILS

MODEL 32125BRZ INSTRUCTIONS ARE TO BE PACKED WITH EACH LAMP.
INSTRUCTIONS MUST BE PRINTED CLEARLY ON QUALITY PAPER.

ALL VISIBLE PARTS, EXCEPT SHADE, MUST MATCH LAMP FINISH UNLESS
OTHERWISE SPECIFIED.

ALL BAGS MUST BE LABELED WITH OFFICIAL "THIS BAG IS NOT A TOY"
STATEMENT.

LAMP MUST REST FLAT ON SURFACE AND NOT ROCK. LAMP MUST
PASS AN 8° TILT TEST.

ASSEMBLY TIME: 5 MINUTES.

THE UL NUMBER IS E255934.

DIMS OF BOX: 81.5 CM (32") LENGTH x 38 CM (15") WIDTH x 35.6
CM (14") HEIGHT. (CUFT.: 3.9')

NET WEIGHT: 11 LBS. GROSS WEIGHT: 8.5 LBS.

**KENROY
HOME**

11660 CENTRAL PARKWAY
JACKSONVILLE, FL. 32224
PHONE: 904-642-4340
FAX: 904-642-4150

THIS DOCUMENT AND THE INFORMATION THAT IT DISCLOSES IS THE EXCLUSIVE
PROPERTY OF KENROY HOME. ANY REPRODUCTION OR USE OF THIS
DRAWING IN PART OR IN WHOLE, WITHOUT THE EXPRESS CONSENT OF THE
PROPRIETOR IS PROHIBITED. © 2011 KENROY HOME.

DATE: 7/1/2011

SCALE: NONE

DRAWN BY: JAMES

REFERENCE: SWIRL TABLE LAMP

APPROVAL:

REVISION DATE:

REVISION DATE:

REVISION DATE:

REVISION DATE:

MODEL #:

32125

FINISHES:

BRZ

PAGE: 1 OF: 1