

MODEL: 50337SL
ASSEMBLY INSTRUCTIONS
READ AND SAVE THESE INSTRUCTIONS

READ INSTRUCTIONS ALL THE WAY THROUGH PRIOR TO ASSEMBLY.

THIS FOUNTAIN SHOULD TAKE APPROXIMATELY 20 MINUTES TO ASSEMBLE.

MAKE SURE ALL PARTS ARE FIRMLY TIGHTENED.

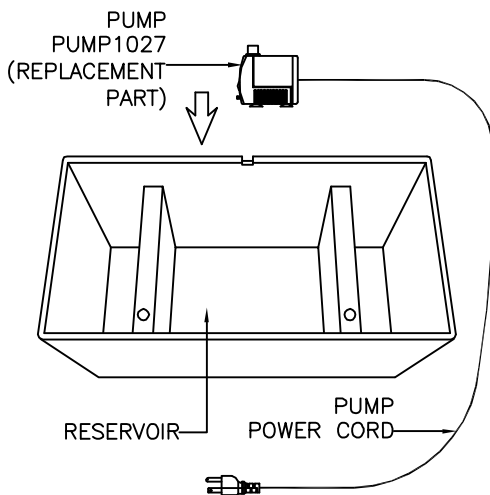
HEAVY FOUNTAIN, TWO PEOPLE REQUIRED TO LIFT AND ASSEMBLE.

UNPACK THE FOUNTAIN

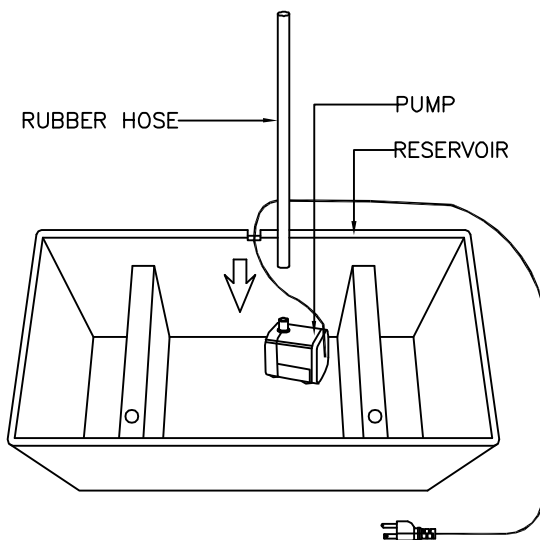
YOU SHOULD HAVE RECEIVED THE FOLLOWING PARTS: UPPER FOUNTAIN BODY, MIDDLE FOUNTAIN BODY, LOWER FOUNTAIN BODY, RESERVOIR, RUBBER HOSE, (2) METAL WASHERS, (2) LARGE SCREWS, (2) SMALL SCREWS, PUMP AND A BAG OF RIVER STONES.

FOUNTAIN ASSEMBLY

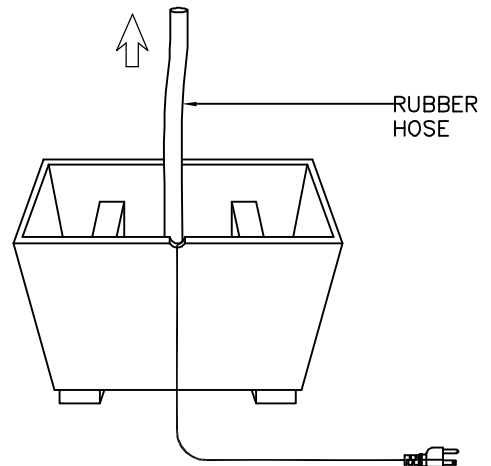
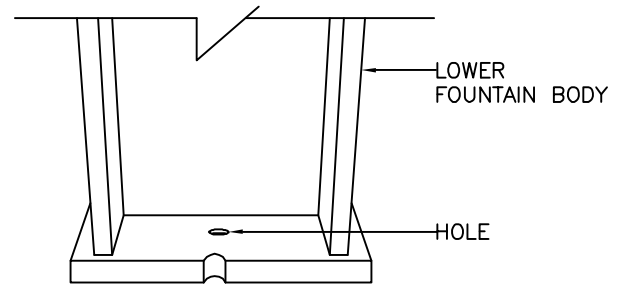
1. PLACE PUMP FLAT IN RESERVOIR, THEN RUN PUMP POWER CORD UP AND OVER BACK OF RESERVOIR.



2. ATTACH RUBBER HOSE TO THE PUMP.

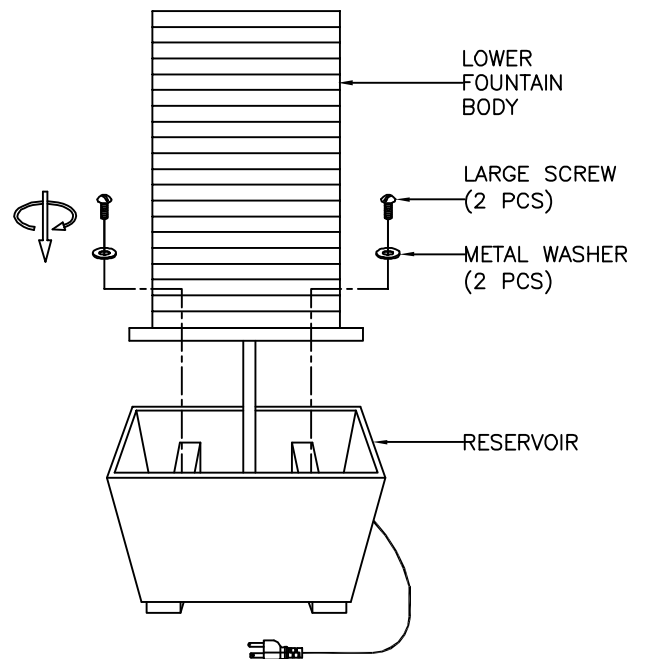


3. FEED RUBBER HOSE UP THROUGH HOLE IN BOTTOM OF LOWER FOUNTAIN BODY.



BACK VIEW

4. PLACE LOWER FOUNTAIN BODY INTO RESERVOIR, THEN SECURE WITH (2) METAL WASHERS AND (2) LARGE SCREWS.

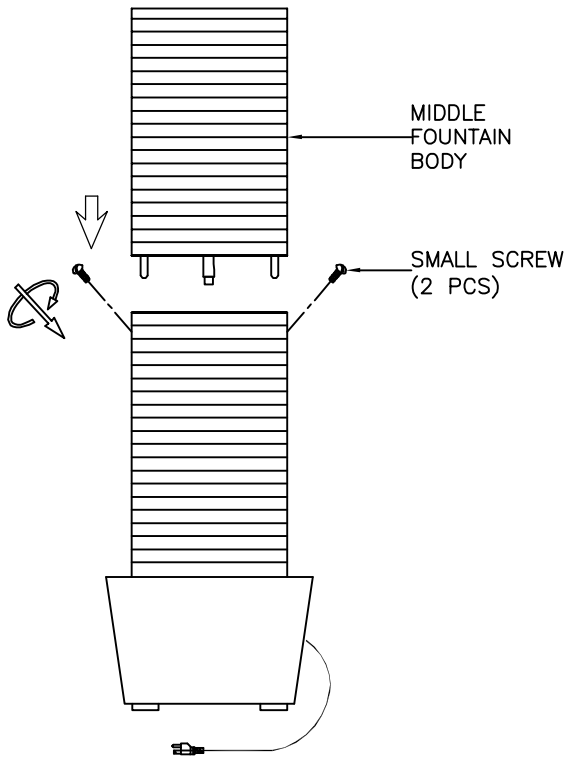


MODEL: 50337SL

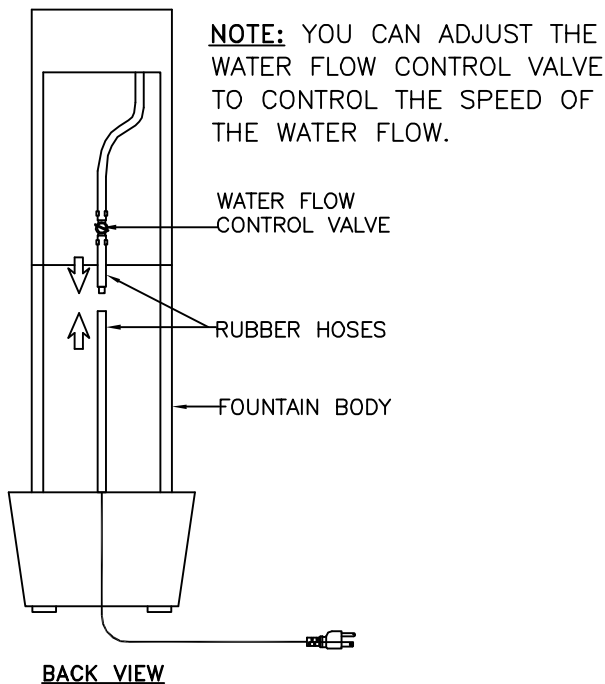
ASSEMBLY INSTRUCTIONS

READ AND SAVE THESE INSTRUCTIONS

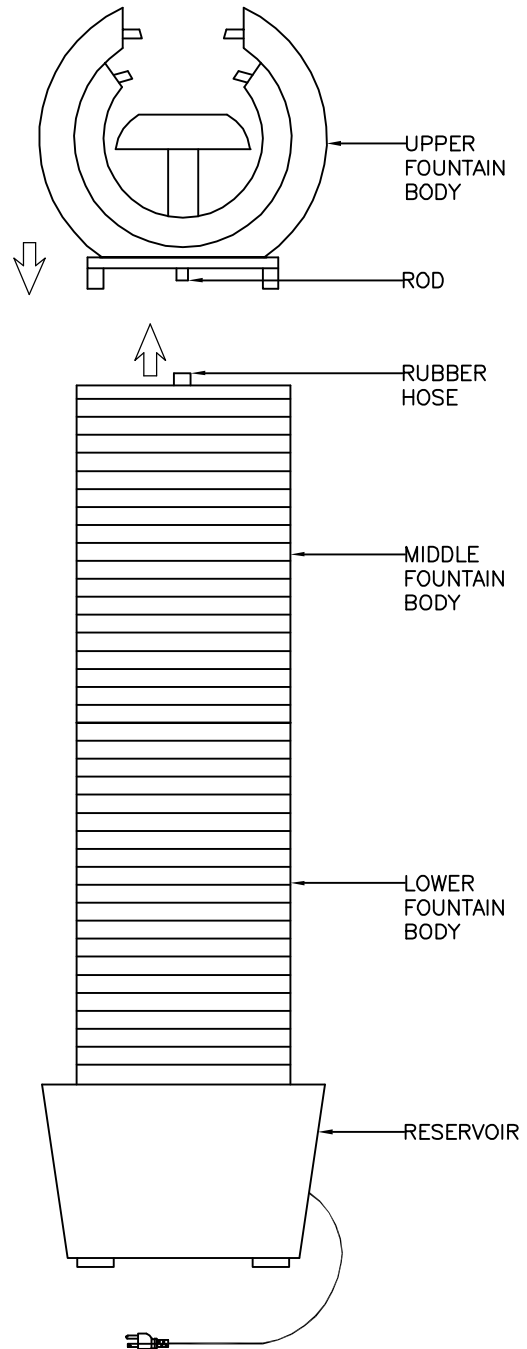
5. INSERT PINS OF MIDDLE FOUNTAIN BODY INTO THE HOLES OF LOWER FOUNTAIN BODY, THEN SECURE WITH (2) SMALL SCREWS FROM BACK OF THE LOWER FOUNTAIN BODY.



6. JOIN THE RUBBER HOSES TOGETHER FROM BACK OF THE FOUNTAIN BODY.



7. ATTACH RUBBER HOSE TO ROD, THEN PLACE UPPER FOUNTAIN BODY INTO MIDDLE FOUNTAIN BODY.



8. FILL RESERVOIR WITH 1.2 GALLONS OF WATER TO COMPLETELY SUBMERSE THE PUMP.

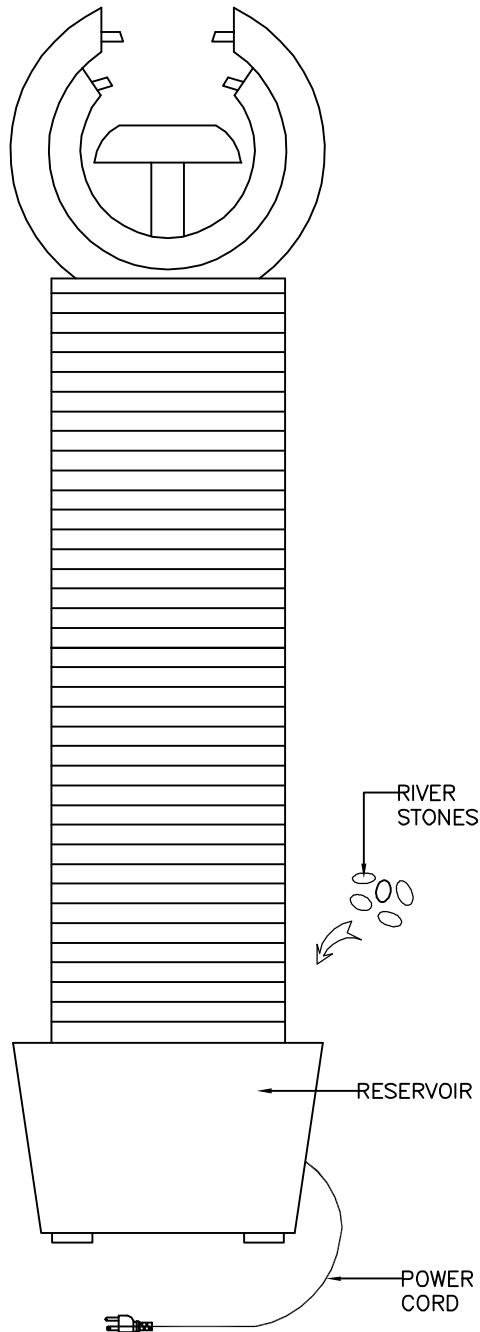
NOTE: DISTILLED WATER IS RECOMMENDED TO REDUCE MINERAL DEPOSITS AND BACTERIA BUILD-UP.

MODEL: 50337SL

ASSEMBLY INSTRUCTIONS

READ AND SAVE THESE INSTRUCTIONS

9. PLACE DECORATIVE RIVER STONES ONTO TOP OF RESERVOIR.



10. PLUG POWER CORD INTO OUTLET, YOUR NEW FOUNTAIN IS READY FOR USE.

TROUBLE SHOOTING:

1. IF YOUR FOUNTAIN DOES NOT WORK, CHECK PLUG AT THE SOCKET. MAKE SURE THE PLUG IS FULLY AND PROPERLY INSERTED INTO THE WALL OUTLET.

2. NEXT CHECK TO MAKE SURE THE OUTLET IS POWERED.

3. IF THE FOUNTAIN STILL DOES NOT WORK, PLEASE CONTACT YOUR DISTRIBUTOR OR PLACE OF PURCHASE.

IMPORTANT PUMP INFORMATION:

PUMP MUST BE FULLY SUBMERSED IN WATER WHILE OPERATING. PLEASE SEE NEXT PAGE FOR PUMP REPLACEMENT.

SPLASHING DISCLAIMER:

SPLASHING MAY OCCUR WHEN FOUNTAIN IS INITIALLY TURNED ON. PROTECT SURROUNDING SURFACES AS NEEDED.

WATER:

TO REDUCE MINERAL DEPOSITS AND BACTERIA BUILD UP THE USE OF DISTILLED WATER IS RECOMMENDED.

WARNING:

* ONCE A WEEK INSPECT FOUNTAIN, FLOOR AND ADJACENT WALL FOR MOISTURE BUILD-UP AND CLEAN AS NECESSARY. THIS IS ESPECIALLY IMPORTANT FOR HUMID ENVIRONMENTS.

** THIS FOUNTAIN IS RATED FOR OUTDOOR USE ONLY.

*** THIS UNIT MUST BE CONNECTED TO A SUPPLY CIRCUIT THAT IS PROTECTED BY A GROUND FAULT CIRCUIT INTERRUPTER (GFCI). THE GFCI SHOULD BE TESTED ON A ROUTINE BASIS. TO TEST THE GFCI, PUSH THE TEST BUTTON. THE GFCI SHOULD INTERRUPT POWER. PUSH THE RESET BUTTON. POWER SHOULD BE RESTORED. IF THE GFCI FAILS TO OPERATE IN THIS MANNER, THE GFCI IS DEFECTIVE.

AVAILABLE PART IS:
PUMP1027 (PUMP)