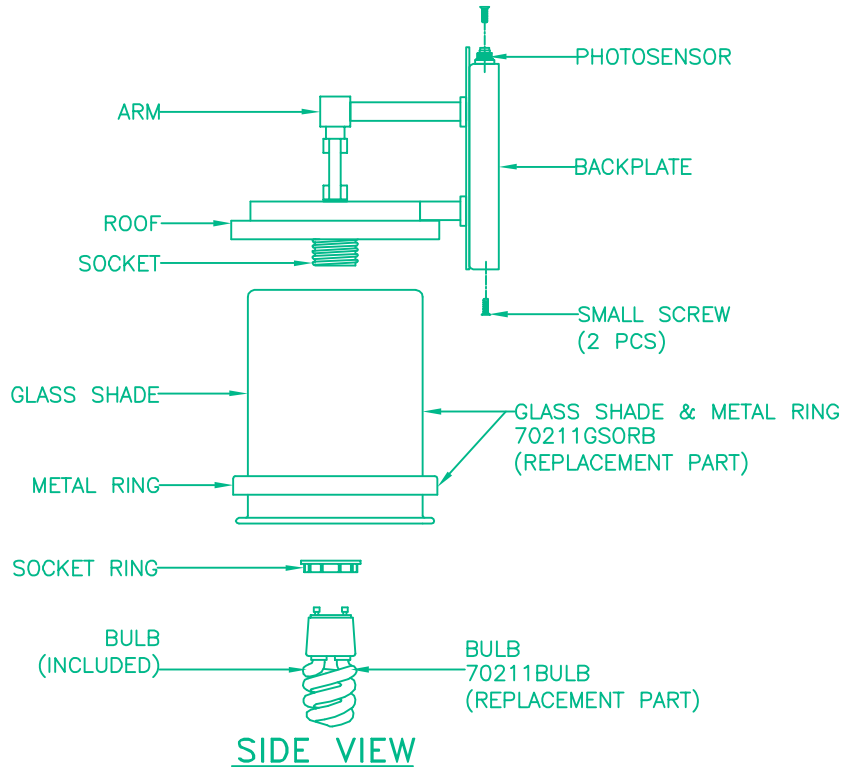
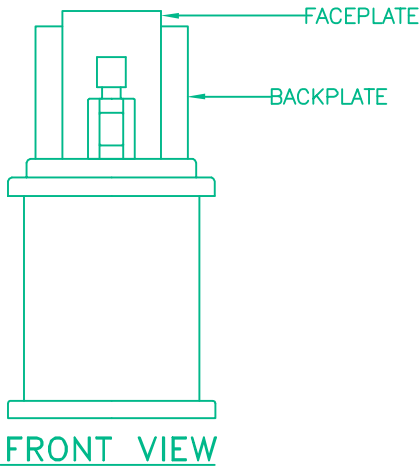


AVAILABLE PARTS ARE:
 70211GSORB (GLASS SHADE & METAL RING)
 70211BULB (BULB)



PRODUCT SPECIFICATIONS

- OVERALL ASSEMBLED DIMENSIONS**
 HEIGHT: 35.2 CM (13-7/8"), WIDTH: 17.8 CM (7"), EXTENSION: 22.9 CM (9").
- 1 LIGHT:** UL LISTED. 18 WATT, GU24 PLASTIC SOCKET. 18 WATT GU24 SELF BALLAST FLUORESENT LAMP BULB INCLUDED. PHOTSENSOR INCLUDED.
- FACEPLATE:** PAINTED ALUMINUM, 19 CM (7-1/2") LENGTH x 8.6 CM (3-3/8") WIDTH x 0.3 CM (1/8") THICKNESS.
- BACKPLATE:** PAINTED ALUMINUM, 17.6 CM (7") LENGTH x 13.1 CM (5-3/16") WIDTH. x 2.5 CM (1") HEIGHT.
- ROOF:** PAINTED ALUMINUM, 17.8 CM (7") SQ. x 3.2 CM (1-1/4") HEIGHT. SHAPED AS SHOWN.
- GLASS SHADE:** AMBER MARBLEIZED GLASS SHADE FOR ORB FINISH, 15.1 CM (6") SQ. (TOP) X 17 CM (6-11/16") SQ. (BOTTOM) X 20 CM (7-7/8") HEIGHT. A METAL RING INCLUDED.
- SUPPLY WIRE:** UL LISTED. 18 AWG, 105', MUST EXTEND A MINIMUM OF 15.2 (6") PAST CENTER OF BACKPLATE, BLACK/WHITE COLOR. WIRES MUST BE LEAD FREE.
- LABEL:** CETL, MANUFACTURING DATE, MODEL # AND COUNTRY OF ORIGIN LABELS PROVIDED ON BACKPLATE. RELAMPING LABEL FOR 18 WATT MAX. TYPE "GU24 SELF BALLAST FLUORESENT LAMP" PROVIDED ON SOCKET OR NEAR SOCKET.
- PACKAGING AND SHIPPING:**
- THE ITEM IS DISASSEMBLED FOR SHIPPING AS SHOWN. EACH PART IS SECURED SO THEY CAN NOT MOVE DURING SHIPPING.
- HARDWARE PACK #005 PROVIDED. ENTIRE FIXTURE IS COVERED IN A CLOSED PLASTIC BAG WITH A SMALL BAG OF SILICA INSIDE.
- THE CARTON IS MADE OF DOUBLE WALL, CORRUGATED CARDBOARD "A MA A". BROWN IN COLOR. THE INNER PACKING IS DIE-CUT CARDBOARD OR STYROFOAM TO PROTECT AND SECURE THE LAMP AND MUST PASS THE FEDEX AND ISTA-3A DROP TEST REQUIREMENTS.
- EACH CARTON SHALL BE PRINTED WITH A LINE DRAWING AND THE KENROY HOME NAME AND LOGO, ENERGY STAR LOGO, MODEL NUMBER AND FINISH, EACH CARTON SHALL BE PROVIDED A UPC LABEL. THE UPC BAR CODE AS FOLLOWS: ORB=053392069643.
- OTHER DETAILS:**
- ENTIRE BACKPLATE ASSEMBLY MUST SIT FLUSH AGAINST WALL SURFACE.
- ALL VISIBLE METAL PARTS MUST MATCH FIXTURE FINISH UNLESS OTHERWISE SPECIFIED.
- MODEL 70211ORB INSTRUCTIONS ARE TO BE PRINTED CLEARLY ON QUALITY PAPER AND PACKED WITH EACH FIXTURE.
- ALL BAGS MUST BE LABELED WITH OFFICIAL "THIS BAG IS NOT A TOY" STATEMENT.
- ASSEMBLY TIME: 5 MINUTES.
- DIMS OF BOX: 29.5 CM (11-5/8") LENGTH x 25 CM (9-7/8") WIDTH x 45 CM (17-11/16") HEIGHT. (CUFT.: 1.2')
- NET WEIGHT: 6.4 LBS. GROSS WEIGHT: 8 LBS.
- THE ITEM MUST BE CETL APPROVED FOR WET LOCATION.
- THE CETL NUMBER IS 4000819.

KENROY HOME 11660 CENTRAL PARKWAY JACKSONVILLE, FL. 32224 PHONE: 904-642-4340 FAX: 904-642-4150	THIS DOCUMENT AND THE INFORMATION THAT IT DISCLOSES IS THE EXCLUSIVE PROPERTY OF KENROY HOME. ANY REPRODUCTION OR USE OF THIS DRAWING IN PART OR IN WHOLE, WITHOUT THE EXPRESS CONSENT OF THE PROPRIETOR IS PROHIBITED. © 2007 KENROY HOME.			REVISION DATE: 7/23/09 change bulb	MODEL #: 70211
	DATE: 5/25/2007	SCALE: NONE	DRAWN BY: JAMES	REVISION DATE: 7/28/09 change UL to CETL	FINISH: ORB
	REFERENCE: PLATEAU 1LT. MEDIUM WALL LANTERN	APPROVAL: 8/12/10 change UL to CETL	PAGE: 1 OF: 1	REVISION DATE: 8/3/09 change CETL to UL	