

## ASSEMBLY INSTRUCTIONS

### READ AND SAVE THESE INSTRUCTIONS

READ INSTRUCTIONS ALL THE WAY THROUGH PRIOR TO ASSEMBLY.

THESE (2) LAMPS SHOULD TAKE APPROXIMATELY 10 MINUTES TO ASSEMBLE.

MAKE SURE ALL PARTS ARE FIRMLY HAND TIGHTENED

### UNPACK THE LAMP

YOU SHOULD HAVE RECEIVED THE FOLLOWING: (2) FINIALS, (2) RUBBER WASHERS, (2) SHADES, (2) HARPS, (2) SOCKET ASSEMBLIES, (2) COLUMNS AND (2) BASES. TO PROTECT THE FINISH, PLACE ALL PARTS ON A SOFT SURFACE.

### ASSEMBLE THE LAMP

- CAREFULLY UNPACK AND PLACE ALL PARTS ON A SMOOTH, FLAT SURFACE. LINE UP ALL PARTS ACCORDING TO THE ASSEMBLY DIAGRAM.
- SCREW COLUMN TO TOP OF BASE.
- SCREW SOCKET ASSEMBLY TO TOP OF COLUMN.
- SQUEEZE LEGS OF THE HARP TOGETHER AND INSERT THE TWO ENDS BETWEEN THE PRONGS OF THE HARP HOLDER.
- PLACE SHADE ONTO HARP, THEN SECURE WITH RUBBER WASHER AND FINIAL.
- INSTALL A 100 WATT MAXIMUM MEDIUM BASE TYPE "A" BULB (NOT INCLUDED) INTO SOCKET.
- PLUG THE POWER CORD INTO AN OUTLET AND TURN ON AT SWITCH.

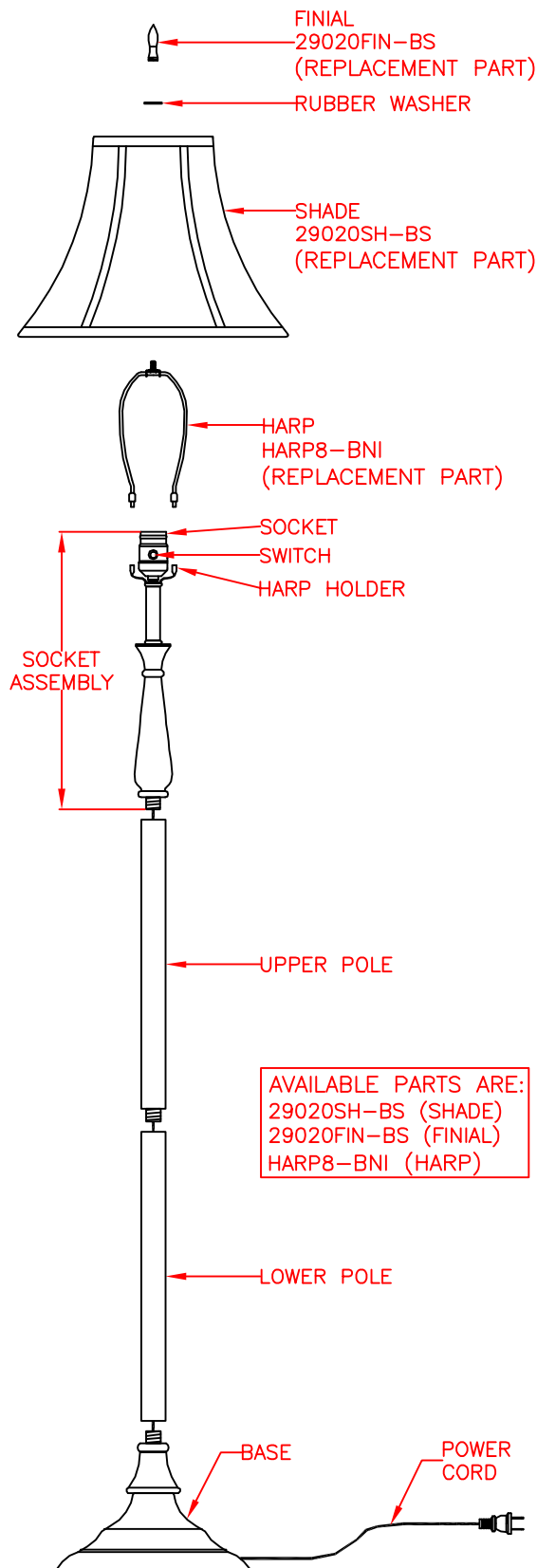
### TROUBLE SHOOTING

- IF YOUR LAMP DOES NOT LIGHT, CHECK PLUG AT THE WALL OUTLET. MAKE SURE THE PLUG IS FULLY AND PROPERLY INSERTED INTO THE WALL OUTLET.
- IF LAMP STILL DOES NOT LIGHT, UNPLUG FROM OUTLET. CHECK THE BULB FOR A BROKEN FILAMENT, REPLACE BULB IF NECESSARY. PLUG IN LAMP AND TURN IT ON.
- IF THE LAMP STILL DOES NOT LIGHT, PLEASE CONTACT YOUR DISTRIBUTOR OR PLACE OF PURCHASE.

### IMPORTANT SAFETY INSTRUCTIONS

THIS PORTABLE LAMP HAS A POLARIZED PLUG (ONE BLADE IS WIDER THAN THE OTHER) AS A FEATURE TO REDUCE THE RISK OF ELECTRIC SHOCK. THIS PLUG WILL FIT IN A POLARIZED OUTLET ONLY ONE WAY. IF THE PLUG DOES NOT FIT FULLY IN THE OUTLET, REVERSE THE PLUG. IF IT STILL DOES NOT FIT, CONTACT A QUALIFIED ELECTRICIAN. NEVER USE WITH AN EXTENSION CORD UNLESS PLUG CAN BE FULLY INSERTED. DO NOT ALTER THE PLUG.





## ASSEMBLY INSTRUCTIONS

### READ AND SAVE THESE INSTRUCTIONS

READ INSTRUCTIONS ALL THE WAY THROUGH PRIOR TO ASSEMBLY.

THIS LAMP SHOULD TAKE APPROXIMATELY 5 MINUTES TO ASSEMBLE.

MAKE SURE ALL PARTS ARE FIRMLY HAND TIGHTENED

### UNPACK THE LAMP

YOU SHOULD HAVE RECEIVED THE FOLLOWING: FINIAL, RUBBER WASHER, SHADE, HARP, SOCKET ASSEMBLY, (2) POLES AND BASE. TO PROTECT THE FINISH, PLACE ALL PARTS ON A SOFT SURFACE.

### ASSEMBLE THE LAMP

- CAREFULLY UNPACK AND PLACE ALL PARTS ON A SMOOTH, FLAT SURFACE. LINE UP ALL PARTS ACCORDING TO THE ASSEMBLY DIAGRAM.
- SCREW LOWER POLE TO TOP OF BASE.
- SCREW UPPER POLE TO TOP OF LOWER POLE.
- SCREW SOCKET ASSEMBLY TO TOP OF UPPER POLE.
- SQUEEZE LEGS OF THE HARP TOGETHER AND INSERT THE TWO ENDS BETWEEN THE PRONGS OF THE HARP HOLDER.
- PLACE SHADE ONTO HARP, THEN SECURE WITH RUBBER WASHER AND FINIAL.
- INSTALL A 100 WATT MAXIMUM MEDIUM BASE TYPE "A" BULB (NOT INCLUDED) INTO SOCKET.
- PLUG THE POWER CORD INTO AN OUTLET AND TURN ON AT SWITCH.

### TROUBLE SHOOTING

- IF YOUR LAMP DOES NOT LIGHT, CHECK PLUG AT THE WALL OUTLET. MAKE SURE THE PLUG IS FULLY AND PROPERLY INSERTED INTO THE WALL OUTLET.
- IF LAMP STILL DOES NOT LIGHT, UNPLUG FROM OUTLET. CHECK THE BULB FOR A BROKEN FILAMENT, REPLACE BULB IF NECESSARY. PLUG IN LAMP AND TURN IT ON.
- IF THE LAMP STILL DOES NOT LIGHT, PLEASE CONTACT YOUR DISTRIBUTOR OR PLACE OF PURCHASE.

### IMPORTANT SAFETY INSTRUCTIONS

THIS PORTABLE LAMP HAS A POLARIZED PLUG (ONE BLADE IS WIDER THAN THE OTHER) AS A FEATURE TO REDUCE THE RISK OF ELECTRIC SHOCK. THIS PLUG WILL FIT IN A POLARIZED OUTLET ONLY ONE WAY. IF THE PLUG DOES NOT FIT FULLY IN THE OUTLET, REVERSE THE PLUG. IF IT STILL DOES NOT FIT, CONTACT A QUALIFIED ELECTRICIAN. NEVER USE WITH AN EXTENSION CORD UNLESS PLUG CAN BE FULLY INSERTED. DO NOT ALTER THE PLUG.

