

NOTE

SEE REVERSE FOR PRODUCT SPECIFICATIONS.

KENROY HOME

11660 CENTRAL PARKWAY
 JACKSONVILLE, FL. 32224
 PHONE: 904-642-4340
 FAX: 904-642-4150

THIS DOCUMENT AND THE INFORMATION THAT IT DISCLOSES IS THE EXCLUSIVE PROPERTY OF KENROY HOME. ANY REPRODUCTION OR USE OF THIS DRAWING IN PART OR IN WHOLE, WITHOUT THE EXPRESS CONSENT OF THE PROPRIETOR IS PROHIBITED. © 1997 KENROY HOME.

DATE: 8/16/94

SCALE: NONE

DRAWN BY: TVL

REFERENCE: TUDOR LANTERN

APPROVAL:

REVISION DATE: 12/6/95 TVL

REVISION DATE: 12/4/97 CEG

REVISION DATE:

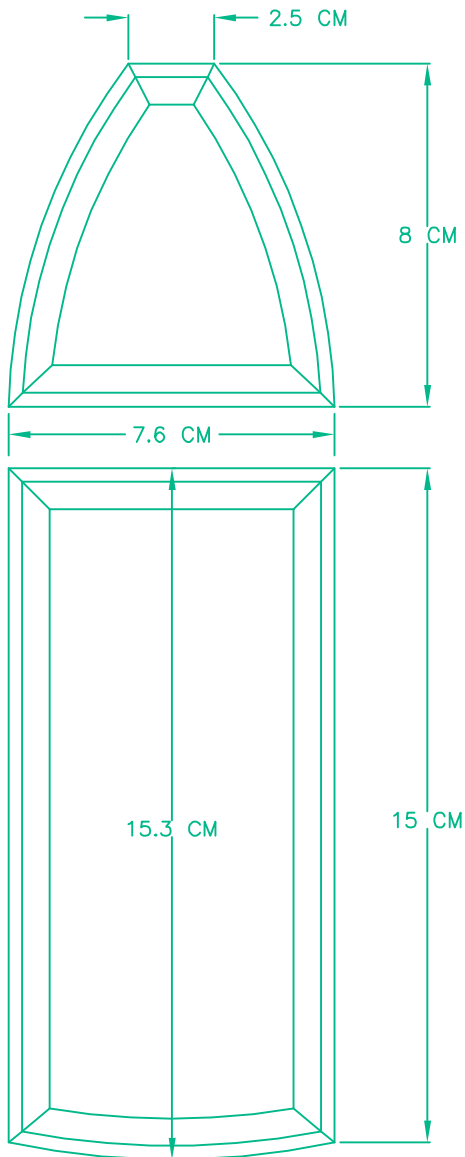
REVISION DATE:

MODEL #:

91291

FINISH: STL, WB, BRZ, PB, SW, VG

PAGE: 1 OF: 2



GLASS DETAILS

NOTES

1. GLASS PANEL MEASUREMENTS INCLUDE BRASS CHANNELING.
2. THE VISIBLE BEVEL SHOULD BE A MINIMUM OF 8 MM.

PRODUCT SPECIFICATIONS

OVERALL ASSEMBLED DIMENSIONS

- HEIGHT- 35.6 CM WIDTH- 16.5 CM
EXTENSION- 16.5 CM
- 2 LIGHTS:** 60 WATT MAXIMUM BULBS (NOT PROVIDED)
4.5 CM. WHITE PLASTIC CANDLES, CANDELABRA BASE
SNUFFERS PROVIDED
- SHADE DETAILS:** BEVELED GLASS PANELS IN BRASS
CHANNELING, 11 PCS., FORM A CAGE 23.5 CM. HT. WITH
BOTTOM OF CAGE OPEN AND TOP CLOSED WITH BRASS
PLATE, WITH 1 CM. DIA. HOLE IN THE CENTER. SILVER
COLORED SOLDER IS EVENLY APPLIED TO INSIDE OF
CAGE AND TOP. BACKPLATE IS STAMPED WITH CORNERS
SOLDERED, MEASUREMENTS ARE 15.4 CM. HIGH x 10.8
CM. WIDE x 2 CM. DEEP.
- SUPPLY WIRE:** SOCKET WIRES MUST EXTEND A MIN
OF 15.2 CM. FROM THE MOUNTING POINT. A GROUND
WIRE IS PROVIDED AND EXTENDS THE SAME LENGTH AS
SUPPLY WIRE.

LABELS

- UL AND CSA OR CUL MANUFACTURING DATE, MODEL #
AND COUNTRY OF ORIGIN LABELS PROVIDED ON BACK-
PLATE. RELAMPING LABEL FOR 60 WATTS PROVIDED ON
SOCKET. "SOLID BRASS" HANG TAG PROVIDED.

PACKAGING AND SHIPPING DETAILS

- THE LANTERN IS ASSEMBLED FOR SHIPPING.
- HARDWARE PACK #002 IS PROVIDED. ALL PARTS
SHOULD BE SECURED SO THEY CAN NOT MOVE
DURING SHIPPING.
- THE ENTIRE FIXTURE IS PLACED IN A CLOSED PLASTIC
BAG WITH A SMALL BAG OF SILICA GEL INSIDE.
- THE CARTON IS MADE OF A DOUBLE WALL, CORRUGATED
CARDBOARD. EXTERIOR SURFACE IS WHITE. THE INNER
PACKING IS DIE-CUT CARDBOARD OR STYROFOAM
SUFFICIENT TO PROTECT AND SECURE THE FIXTURE
AND MUST PASS THE DROP TEST REQUIREMENTS.
- EACH CARTON SHALL BE PROVIDED WITH A BLACK AND
WHITE LABEL SHOWING THE KENROY NAME AND LOGO,
MODEL #, FINISH, A PHOTO OF THE FIXTURE, THE
COUNTRY OF ORIGIN, AND UPC BAR CODE AS FOLLOWS:
BRZ=053392912918, | 2of5=10053392912915,
PB=053392083786, | 2of5=10053392083783,
STL=053392027629, | 2of5=10053392027626,
SW=053392083809, | 2of5=10053392083806,
VG=053392083823, | 2of5=10053392083820,
WB=053392027636, | 2of5=10053392027633.

OTHER DETAILS

- A GROUND WIRE IS PROVIDED AND SECURED TO THE
NUT THAT SECURE AN ARM. IT EXTENDS THE SAME
LENGTH AS THE SUPPLY WIRE.
- ALL VISIBLE METAL PARTS ARE MADE OF BRASS AND
SHALL MATCH OVERALL COLOR OF LANTERN.
- LANTERN INSTALLATION INSTRUCTIONS MUST BE
PACKED WITH EACH LANTERN.