

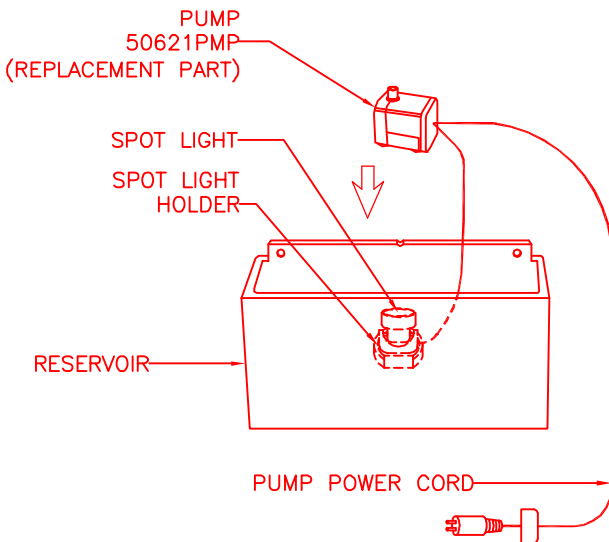
MODEL: 50621SL
ASSEMBLY INSTRUCTIONS
 READ AND SAVE THESE INSTRUCTIONS

UNPACK THE FOUNTAIN

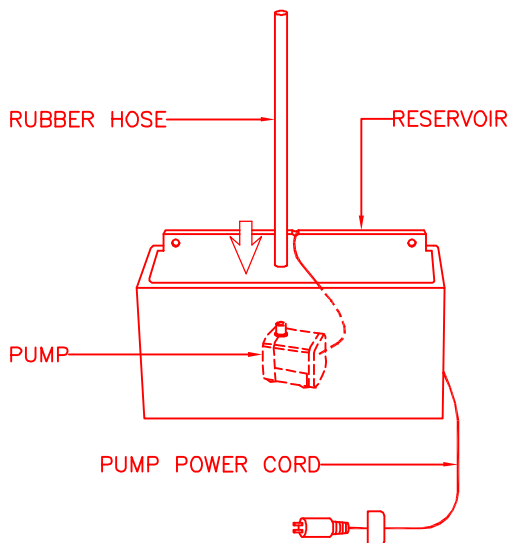
YOU SHOULD HAVE RECEIVED THE FOLLOWING PARTS: FOUNTAIN BODY, SPLASH GUARD, PUMP WITH SPOT LIGHT, A EXTRA BULB, RESERVOIR, METAL FRAME, (4) SCREWS, (4) METAL WASHERS, TRANSFORMER, BRACKET, A BAG OF RIVER STONES, (2) CORD COVERS, CHANNEL, (2) PLASTIC ANCHORS AND (2) WOOD SCREWS.

FOUNTAIN ASSEMBLY

1. PLACE SPOT LIGHT INTO SPOT LIGHT HOLDER AND PLACE PUMP FLAT IN RESERVOIR, THEN RUN PUMP POWER CORD UP AND OVER BACK OF RESERVOIR.

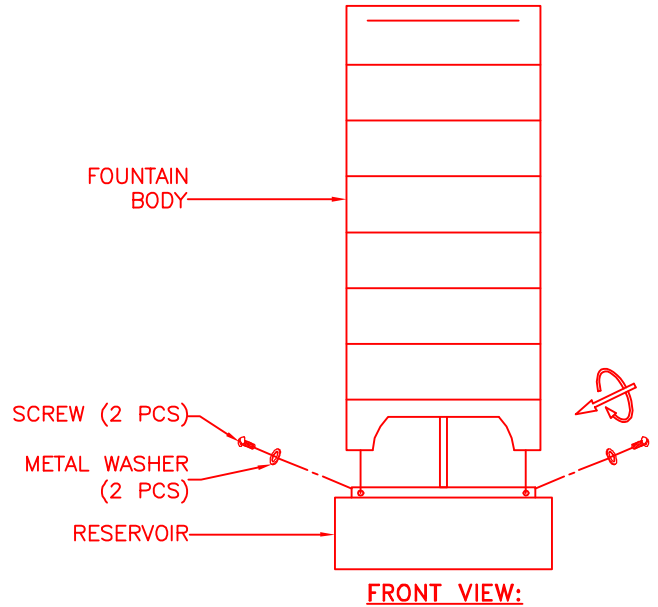


2. ATTACH RUBBER HOSE TO THE PUMP.



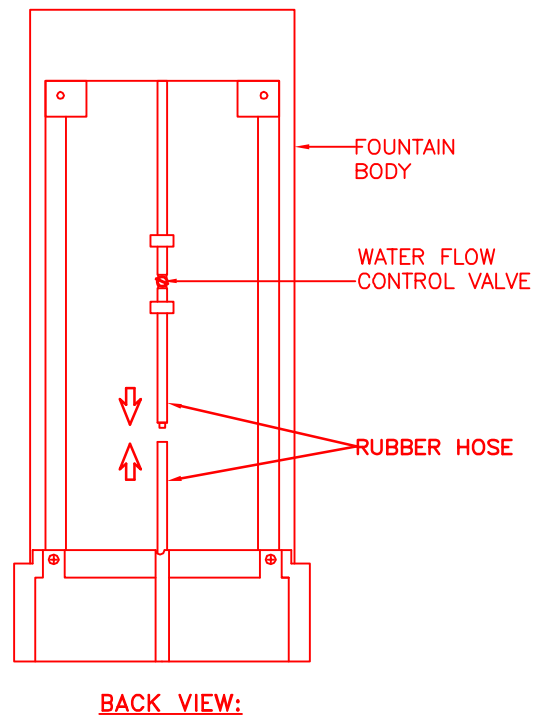
FOR TABLE TOP APPLICATIONS:

3A. PLACE FOUNTAIN BODY INTO RESERVOIR, THEN SECURE THE FOUNTAIN BODY TO RESERVOIR WITH (2) METAL WASHERS AND (2) SCREWS FROM BACK OF THE RESERVOIR.



3B. JOIN THE RUBBER HOSES TOGETHER FROM BACK OF THE FOUNTAIN BODY.

NOTE: YOU CAN ADJUST THE WATER FLOW CONTROL VALVE TO CONTROL THE SPEED OF THE WATER FLOW.

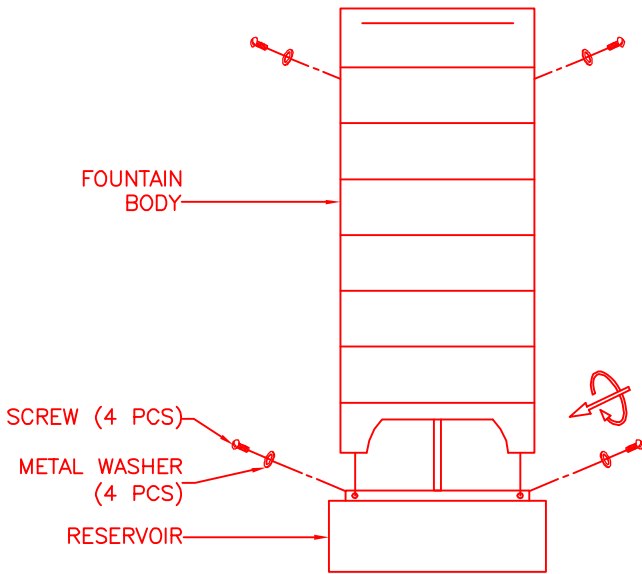


3C. SKIP TO STEP #4 FOR OTHER INSTRUCTIONS.

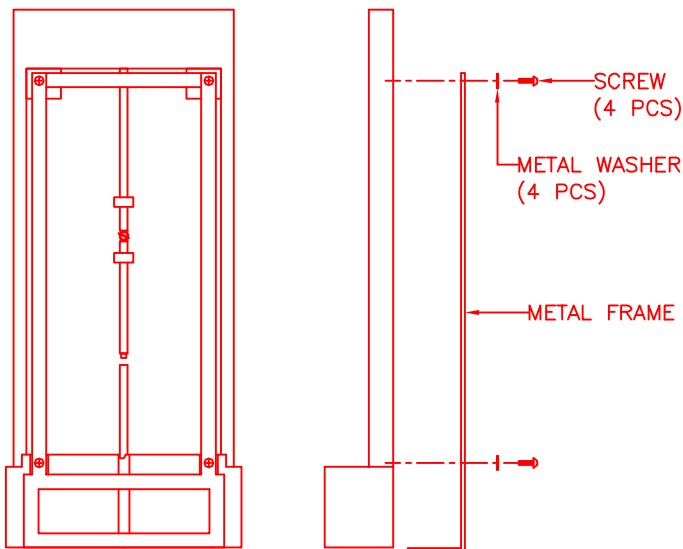
MODEL: 50621SL
ASSEMBLY INSTRUCTIONS
 READ AND SAVE THESE INSTRUCTIONS

FOR WALL MOUNTED APPLICATIONS:

3A. PLACE FOUNTAIN BODY INTO RESERVOIR AND PLACE METAL FRAME INTO PLACE AS SHOWN, THEN SECURE FOUNTAIN BODY, RESERVOIR AND METAL FRAME TOGETHER WITH (4) METAL WASHERS AND (4) SCREWS FROM BACK OF THE FOUNTAIN.



FRONT VIEW:

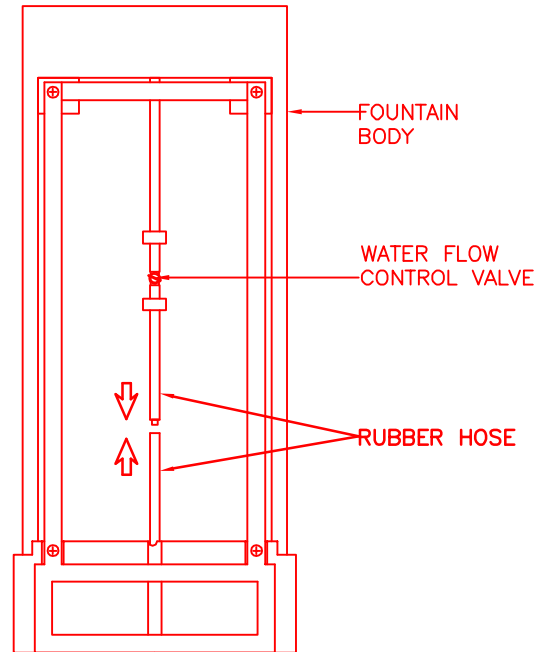


BACK VIEW:

SIDE VIEW:

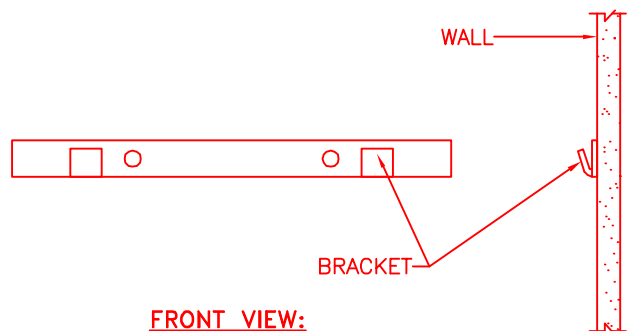
3B. JOIN THE RUBBER HOSES TOGETHER FROM BACK OF THE FOUNTAIN BODY.

NOTE: YOU CAN ADJUST THE WATER FLOW CONTROL VALVE TO CONTROL THE SPEED OF THE WATER FLOW.



BACK VIEW:

3C. LOCATE DESIRED POSITION ON WALL AND SECURE THE BRACKET ON THE WALL. (HARDWARE NOT INCLUDED. CONTACT YOUR LOCAL HARDWARE PROFESSIONAL TO CHOOSE AN ATTACHMENT MECHANISM APPROPRIATE FOR YOUR WALL)



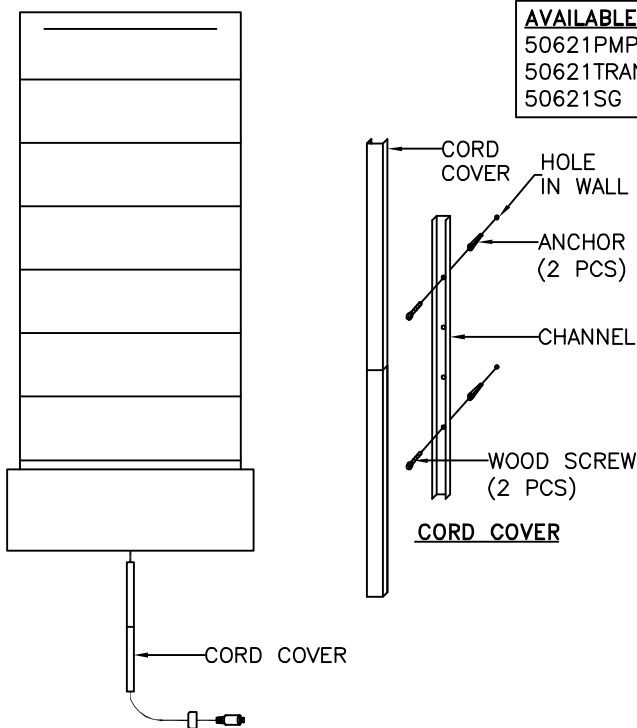
FRONT VIEW:

SIDE VIEW:

3D. HANG FOUNTAIN SECURELY ON BRACKET.

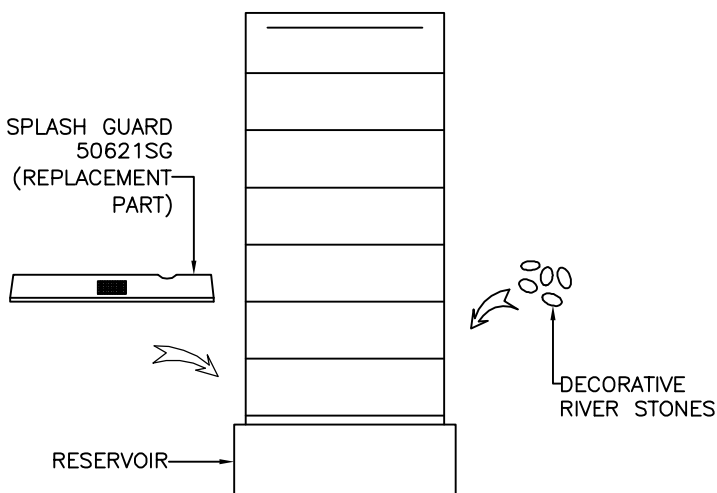
MODEL: 50621SL
ASSEMBLY INSTRUCTIONS
 READ AND SAVE THESE INSTRUCTIONS

3E. TO INSTALL CORD COVER, MOUNT CHANNEL ON THE WALL WITH WOOD SCREWS AND ANCHORS. PLACE CORD INSIDE CHANNEL AND PRESS CORD COVER SECURELY ONTO CHANNEL.



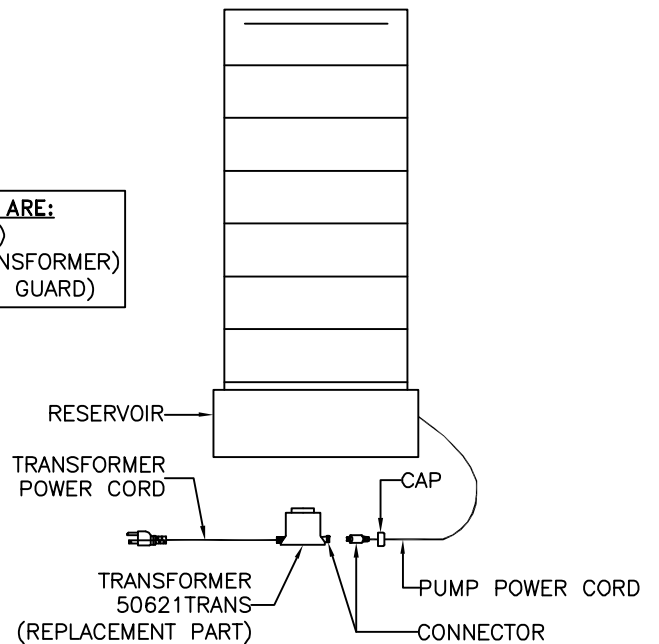
AVAILABLE PARTS ARE:
 50621PMP (PUMP)
 50621TRANS (TRANSFORMER)
 50621SG (SPLASH GUARD)

4. PLACE SPLASH GUARD INTO RESERVOIR TO PREVENT RIVER STONES FROM FALLING INTO RESERVOIR, THEN PLACE DECORATIVE RIVER STONES ONTO TOP OF THE SPLASH GUARD.



5. FILL RESERVOIR WITH 0.9 GALLONS OF WATER TO COMPLETELY SUBMERSE THE PUMP.

NOTE: DISTILLED WATER IS RECOMMENDED TO REDUCE MINERAL DEPOSITS AND BACTERIA BUILD-UP.



6. JOIN THE CONNECTORS AT TRANSFORMER AND SCREW THE CAP TIGHTLY TOGETHER.

7. PLUG TRANSFORMER POWER CORD INTO OUTLET, YOUR NEW FOUNTAIN IS READY FOR USE.

TROUBLE SHOOTING:

1. IF YOUR FOUNTAIN DOES NOT WORK, CHECK PLUG AT THE SOCKET. MAKE SURE THE PLUG IS FULLY AND PROPERLY INSERTED INTO THE WALL OUTLET.
2. NEXT CHECK TO MAKE SURE THE OUTLET IS POWERED.
3. IF THE FOUNTAIN STILL DOES NOT WORK, PLEASE CONTACT YOUR DISTRIBUTOR OR PLACE OF PURCHASE.

SPLASHING DISCLAIMER:

SPLASHING MAY OCCUR WHEN FOUNTAIN IS INITIALLY TURNED ON. PROTECT SURROUNDING SURFACES AS NEEDED.

IMPORTANT PUMP INFORMATION:

PUMP MUST BE FULLY SUBMERSED IN WATER WHILE OPERATING.

WATER:

TO REDUCE MINERAL DEPOSITS AND BACTERIA BUILD UP THE USE OF DISTILLED WATER IS RECOMMENDED.

WARNING:

* ONCE A WEEK INSPECT FOUNTAIN, FLOOR AND ADJACENT WALL FOR MOISTURE BUILD-UP AND CLEAN AS NECESSARY. THIS IS ESPECIALLY IMPORTANT FOR HUMID ENVIRONMENTS.

** THIS FOUNTAIN IS RATED FOR INDOOR & OUTDOOR USE.

*** THIS UNIT MUST BE CONNECTED TO A SUPPLY CIRCUIT THAT IS PROTECTED BY A GROUND FAULT CIRCUIT INTERRUPTER (GFCI). THE GFCI SHOULD BE TESTED ON A ROUTINE BASIS. TO TEST THE GFCI, PUSH THE TEST BUTTON. THE GFCI SHOULD INTERRUPT POWER. PUSH THE RESET BUTTON. POWER SHOULD BE RESTORED. IF THE GFCI FAILS TO OPERATE IN THIS MANNER, THE GFCI IS DEFECTIVE.