

PRODUCT SPECIFICATIONS

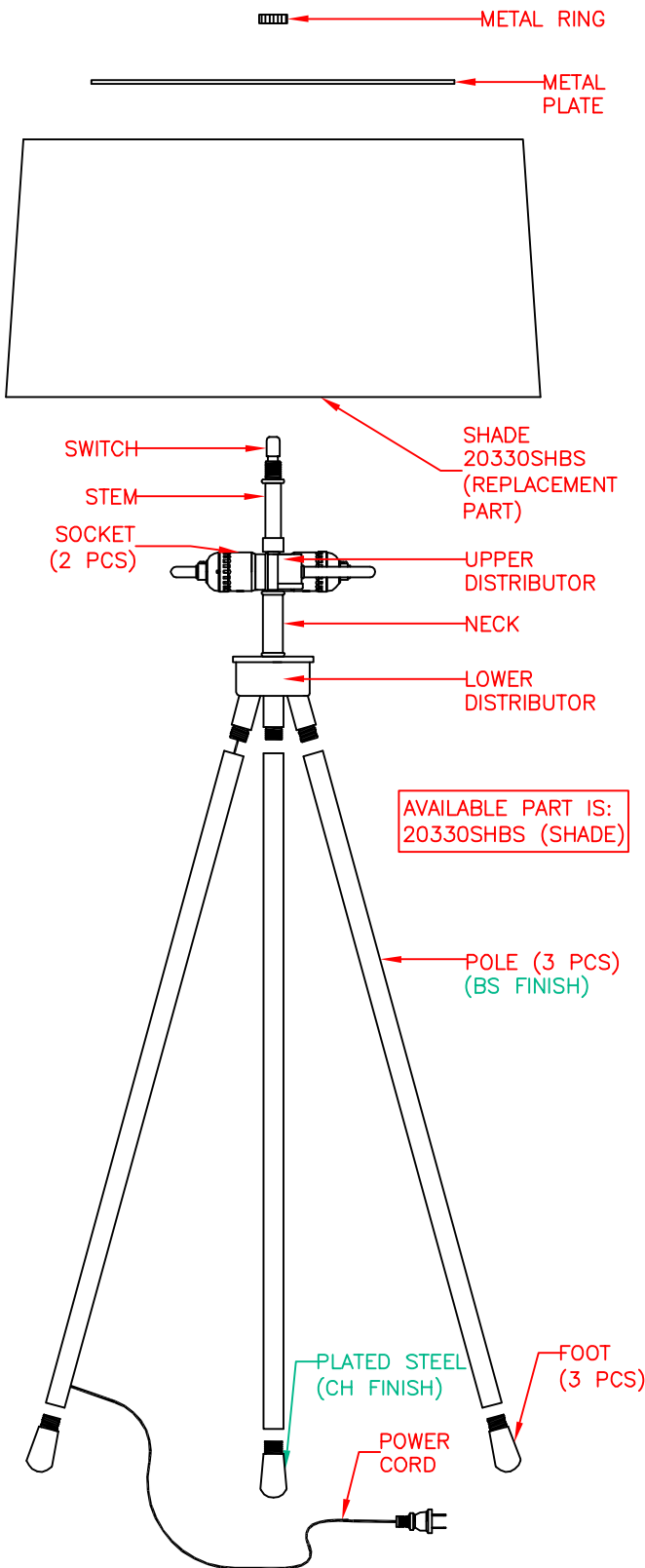
- OVERALL ASSEMBLED DIMENSIONS**
HEIGHT: 76.8 CM (30-1/4"), WIDTH: 42 CM (16-1/2") DIA.
- 2 LIGHTS:** UL LISTED, 100 WATT, MEDIUM BASE E-27 ALUMINUM SOCKET. DIMMER SWITCH LOCATED AS SHOWN. THE SPIDER AND SOCKET ARE BS FINISH.
- SHADE:** WHITE TAPERED DRUM SHADE, 39.4 CM (15-1/2") DIA. (TOP) x 42 CM (16-1/2") DIA. (BOTTOM) x 20.3 CM (8") SLANT HEIGHT. THE SPIDER DIAMETER IS NOT LESS THAN Ø4.5 MM. THE SHADE FABRIC CONTENT: 65% COTTON AND 35% POLYESTER.
- METAL PLATE:** PAINTED STEEL (WHITE FINISH), 30.5 CM (12") DIA. x 0.8 CM (5/16") THICKNESS.
- STEM:** PLATED STEEL, 1.2 CM (1/2") DIA. x 4.3 CM (1-11/16") HEIGHT.
- NECK:** PLATED STEEL, 1.6 CM (5/8") DIA. x 4.7 CM (1-7/8") HEIGHT.
- DISTRIBUTORS:** PLATED STEEL, UPPER DISTRIBUTOR: 8.3 CM (3-1/4") DIA. x 3.1 CM (1-1/4") HEIGHT, LOWER DISTRIBUTOR: 6.3 CM (2-1/2") DIA. x 3.1 CM (1-1/4") HEIGHT, SHAPED AS SHOWN.
- POLE:** PLATED STEEL, 1.6 CM (5/8") DIA. x 53 CM (20-7/8") LENGTH.
- FOOT:** PLATED STEEL (CH FINISH), 2 CM (3/4") DIA. x 4.5 CM (1-3/4") HEIGHT.
- CORD:** UL LISTED, MIN 183 CM (6 FT.) LENGTH, 18 AWG., 2 CONDUCTORS, 105°C, TYPE SPT-2, SILVER/CLEAR COLOR. WIRES MUST BE LEAD FREE.
- LABELS:** UL AND CSA OR CUL, MANUFACTURING DATE, MODEL # AND COUNTRY OF ORIGIN LABEL PROVIDED. RELAMPING LABEL FOR 100 WATT MAX. TYPE "A" BULB PROVIDED ON SOCKET.

PACKAGING AND SHIPPING DETAILS

- THE LAMP IS DISASSEMBLED FOR SHIPPING. EACH PART IS CAREFULLY WRAPPED IN A PLASTIC BAG AND PLACED SECURELY IN THE INNER PACKING SO IT CAN NOT MOVE AROUND DURING SHIPPING. A SMALL BAG OF SILICA IS INCLUDED IN THE PACKAGE.
- THE CARTON IS MADE OF DOUBLE WALL, CORRUGATED CARDBOARD "A MA A". BROWN IN COLOR. THE INNER PACKING IS DIE-CUT CARDBOARD OR STYROFOAM TO PROTECT AND SECURE THE LAMP AND MUST PASS THE SPECIFIED DROP TEST REQUIREMENTS.
- EACH CARTON SHALL BE PRINTED WITH A LINE DRAWING AND THE KENROY HOME NAME AND LOGO, MODEL NUMBER, SKU NUMBER AND FINISH, EACH CARTON SHALL BE PROVIDED A UPC LABEL. THE UPC BAR CODE AS FOLLOWS: BS=053392105396.

OTHER DETAILS

- MODEL 20330BS INSTRUCTIONS ARE TO BE PACKED WITH EACH LAMP. INSTRUCTIONS MUST BE PRINTED CLEARLY ON QUALITY PAPER.
- ALL VISIBLE PARTS, EXCEPT SHADE, MUST MATCH LAMP FINISH UNLESS OTHERWISE SPECIFIED.
- ALL BAGS MUST BE LABELED WITH OFFICIAL "THIS BAG IS NOT A TOY" STATEMENT.
- LAMP MUST REST FLAT ON SURFACE AND NOT ROCK. LAMP MUST PASS AN 8° TILT TEST.
- ASSEMBLY TIME: 5 MINUTES.
- THE UL NUMBER IS E229673.
- DIMS OF BOX: 45 CM (17-11/16") LENGTH x 45 CM (17-11/16") WIDTH x 42 CM (16-1/2") HEIGHT.
- NET WEIGHT: 4.2 LBS. GROSS WEIGHT: 8.4 LBS.



KENROY HOME

11660 CENTRAL PARKWAY
JACKSONVILLE, FL. 32224
PHONE: 904-642-4340
FAX: 904-642-4150

THIS DOCUMENT AND THE INFORMATION THAT IT DISCLOSES IS THE EXCLUSIVE PROPERTY OF KENROY HOME. ANY REPRODUCTION OR USE OF THIS DRAWING IN PART OR IN WHOLE, WITHOUT THE EXPRESS CONSENT OF THE PROPRIETOR IS PROHIBITED. © 2009 KENROY HOME.

DATE: 3/9/2009

SCALE: NONE

DRAWN BY: JAMES

REFERENCE: STILTS TABLE LAMP

APPROVAL:

REVISION DATE:

REVISION DATE:

REVISION DATE:

REVISION DATE:

MODEL #:

20330

FINISHES:

BS

PAGE: 1 OF 1