

ASSEMBLY INSTRUCTION

GROUP NO.:55650 MADISON

ITEM NO.:55651/55652/55654/55673/55674/55691/55692/55653/55661
 55662/55663/55664/55655/55656/55665/55666

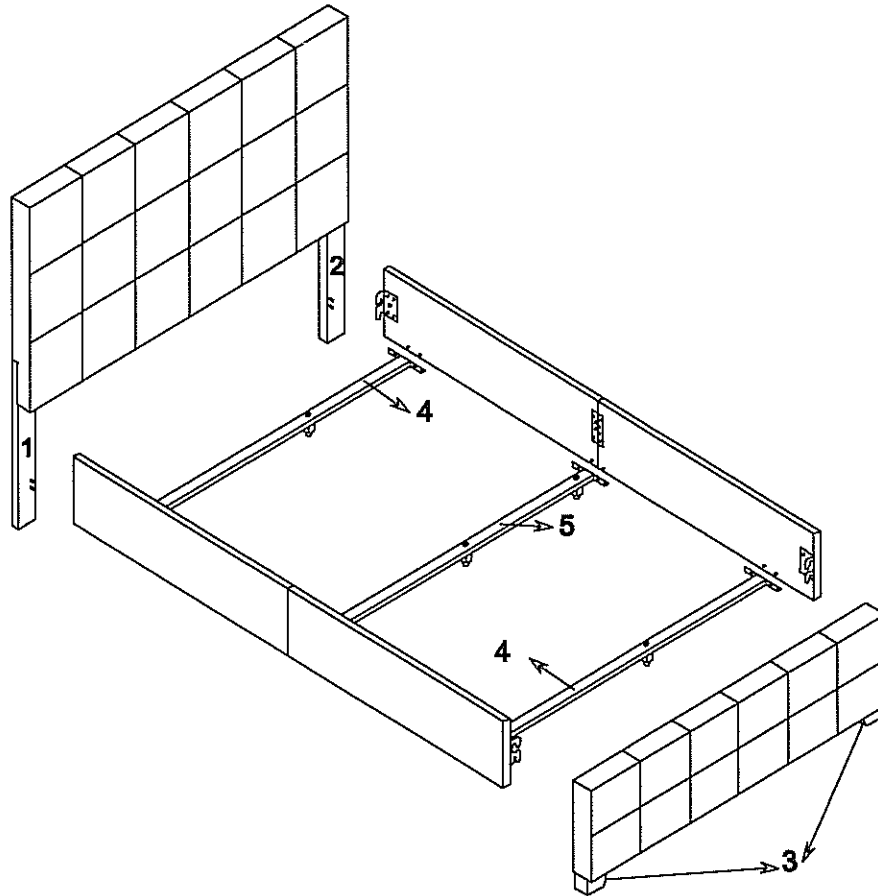
DESCRIPTION:3/3. 4/6MADISON SQUARE YOUTH BED&5/0.6/6
 MADISON BED

Read instruction carefully prior to assembly.

Thank you for purchasing this quality product. Check carefully for small parts which may have come loose during shipment.

Remove all components from pack and assemble near area that bed is to be placed.

Note:Do not fully tighten bolts and screws until bed is completely assembled.



NO	DRAWING	QTY
A		8PCS
B		4PCS
C		5PCS
D		4PCS Ø6*50
E		8PCS Ø8*50

NO	DRAWING	QTY
F		5PCS Ø6*40
G		28PCS Ø6*20
H		12PCS Ø16*Ø8
I		12PCS Ø13*Ø8
J		28PCS 1"

NO	DRAWING	QTY
1		1 Headboard left leg
2		1 Headboard right leg
3		2 Footboard Feet
4		2 Slat
5		1 Center slat

NO	DRAWING	QTY
T-1	 Not Provided	1
T-2		1 5mm
T-3		1 4mm

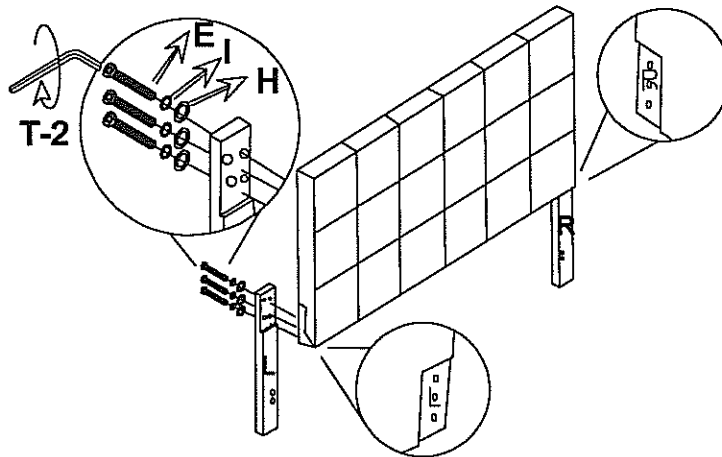
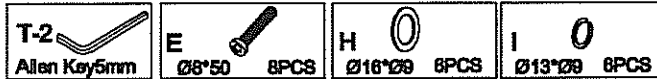
Cleaning instructions: Clean using soft cloth.

Made in China

Step 1 Headboard Assembly

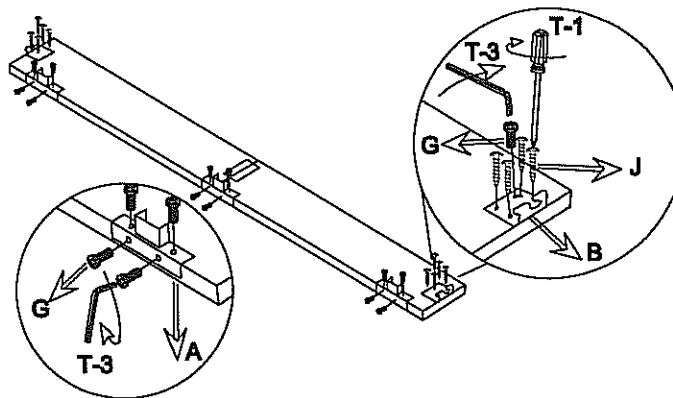
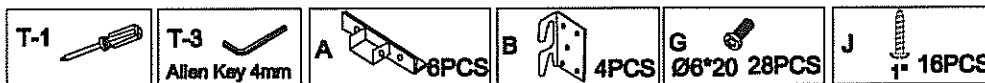
Attach legs to Headboard using bolts (E), washer (H) & lock washer (I).

Note: Assembly made easier with use of a power driver. Be sure to tighten screws on each leg equally so legs are attached straight



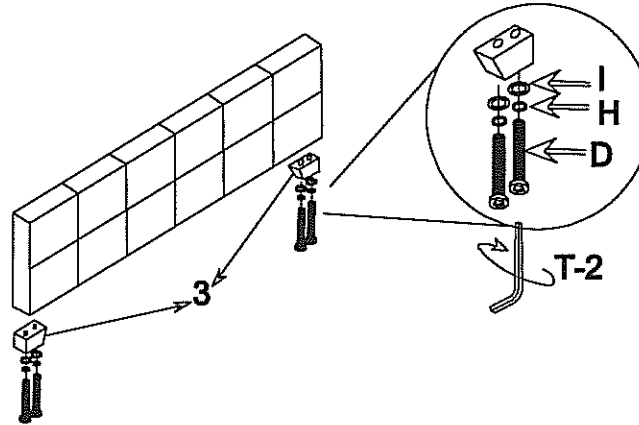
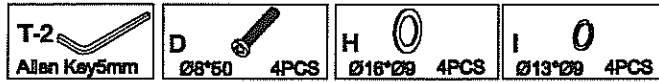
Step 2 Bed Rail Assembly

Unfold bed rails and attach metal brackets (A) using bolts (G), connect bed rail connector brackets (B) by using first using bolts (G) in center hole location. Align bed rail connectors parallel with ends and screw in position using screws (J)



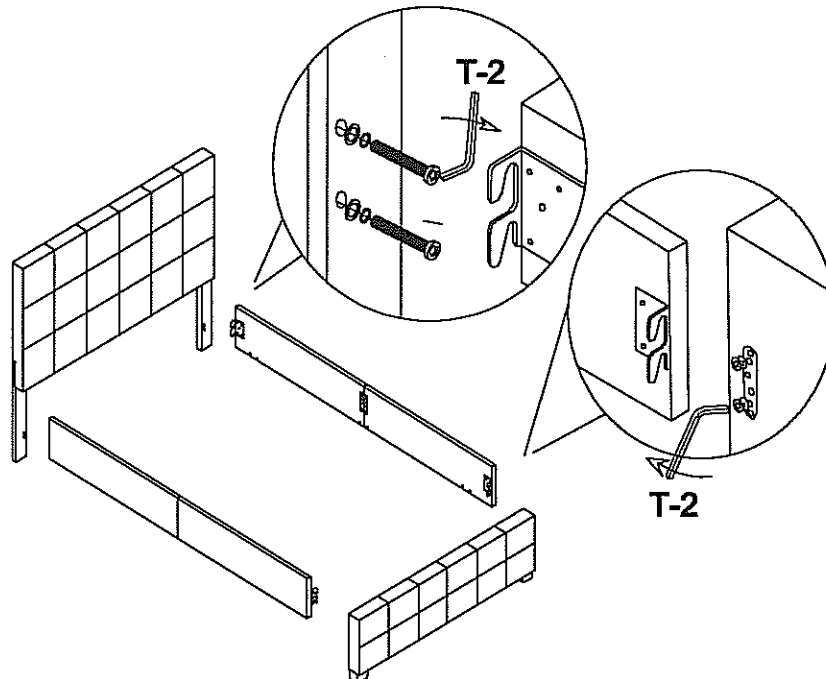
Step 3 Footboard Assembly

Attach Footboard foot to Footboard using bolts (D), washer (H) & lock washer (I).



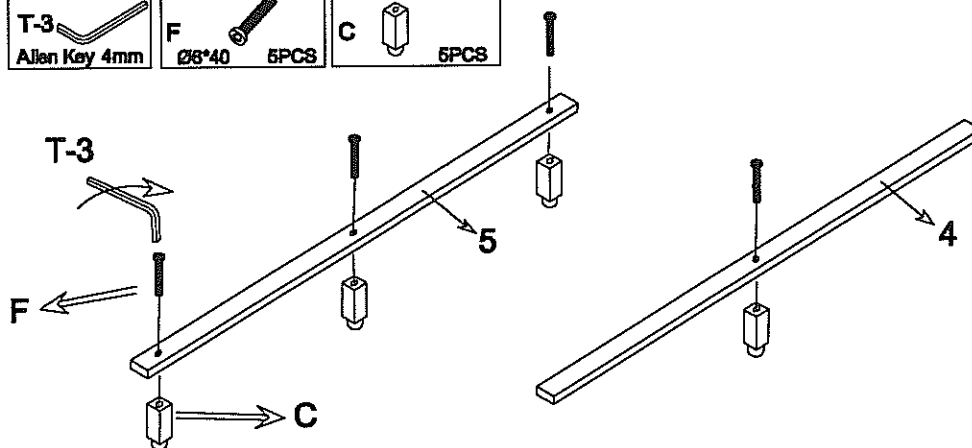
Step 4 Bed Assembly

- ① Attach bed rails to Headboard using bolts (E), washer (H) & lock washer (I);
- ② Loosen bolts (pre-installed) in Footboard, slip bed rail connectors over bolts and tighten.



③ Attach support legs (C) to slats using bolts (F).

NOTE: Center slat requires 3 support legs.



④ Position slats in metal bracket and secure using screws (J); center slat requires 4 screws, two each end of slat; End slats require 1 screw each side.

