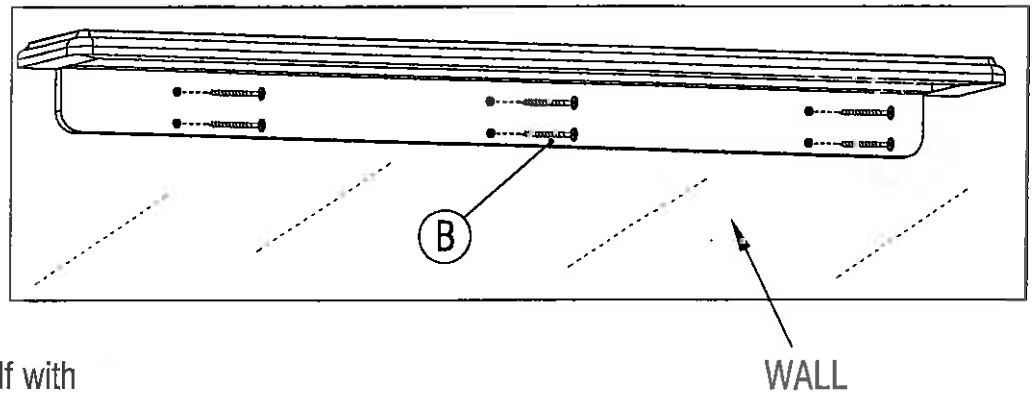
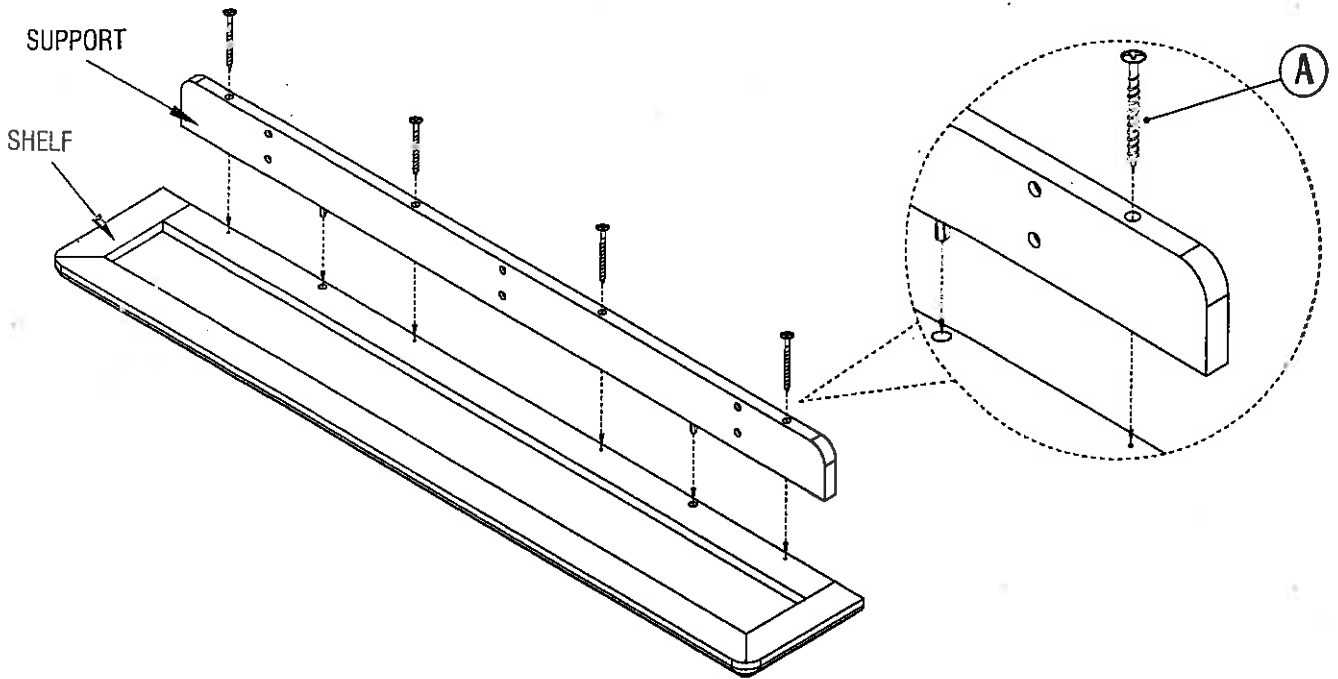

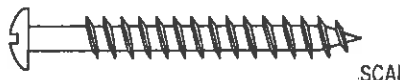


ASSEMBLY INSTRUCTION

AUSTIN PUB SHELF



1. Attach the Support to Shelf with Long Screw (A).
2. Attach the assembled wall shelf wall by using Wall Plug (C) and Short Screw (B).

HARDWARE LIST		QTY	OUTLOOK
A	LONG SCREW	4	 SCALE 1:1
B	SHORT SCREW	6	 SCALE 1:1
C	WALL PLUG	6	